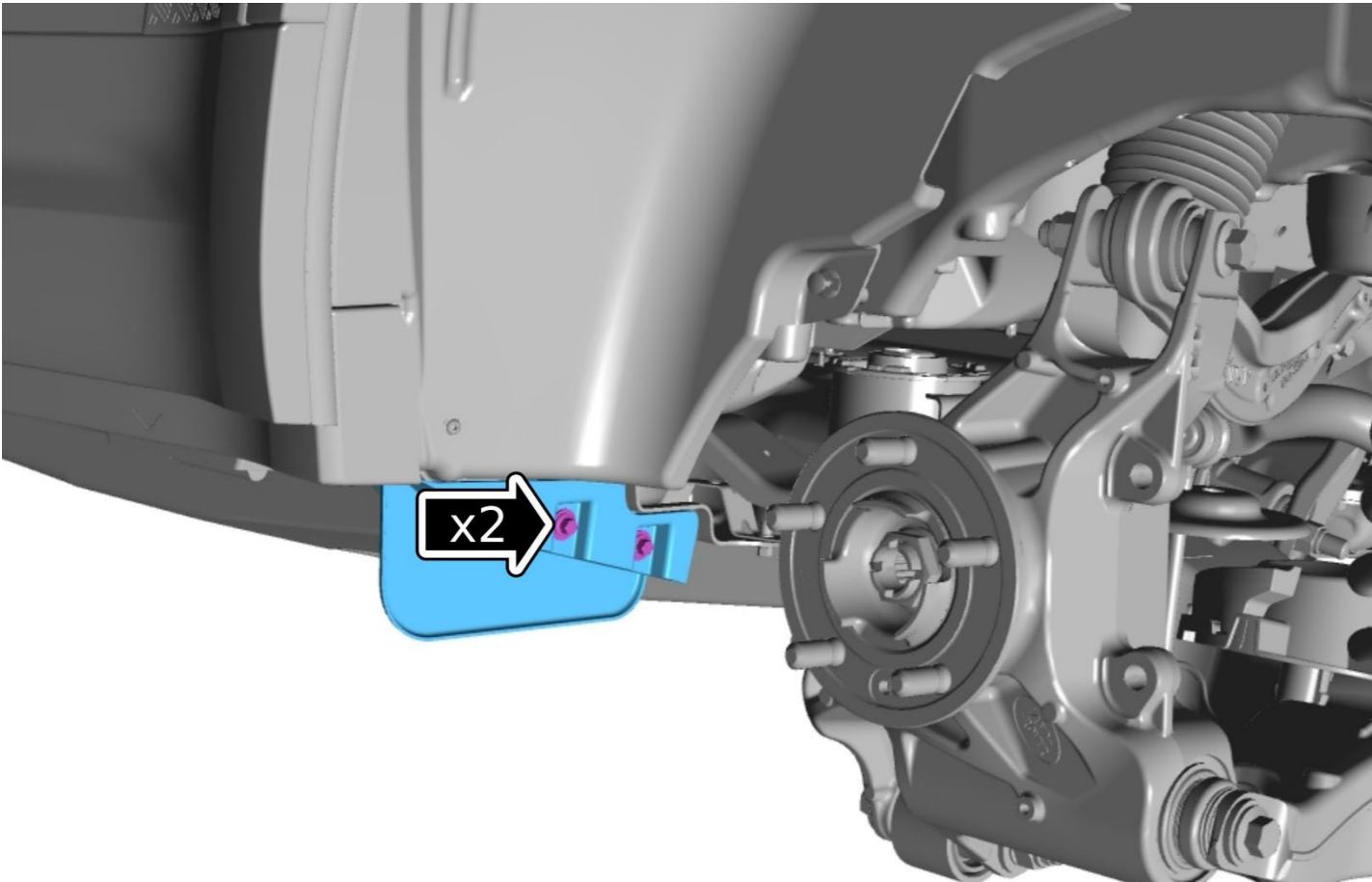
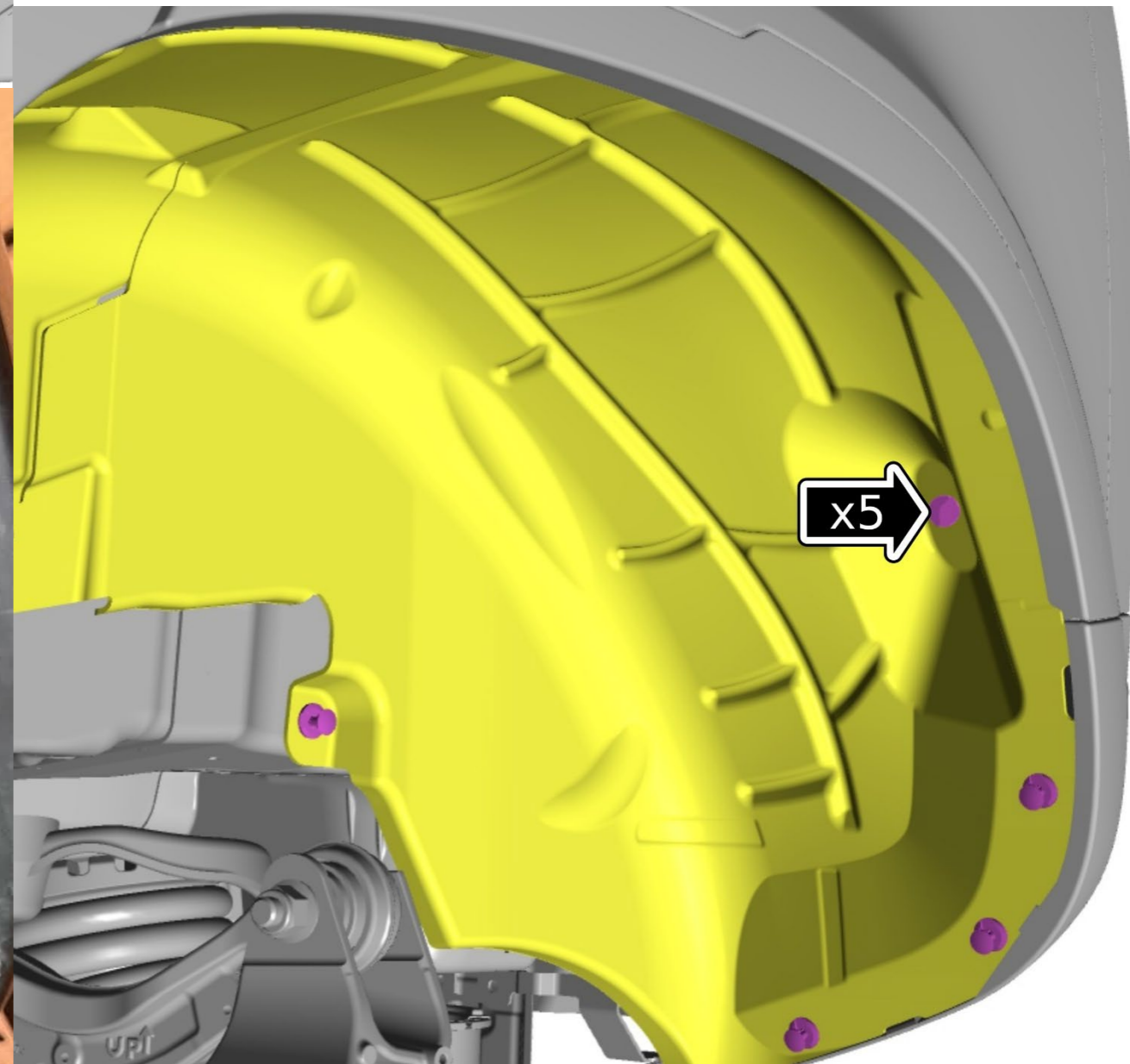




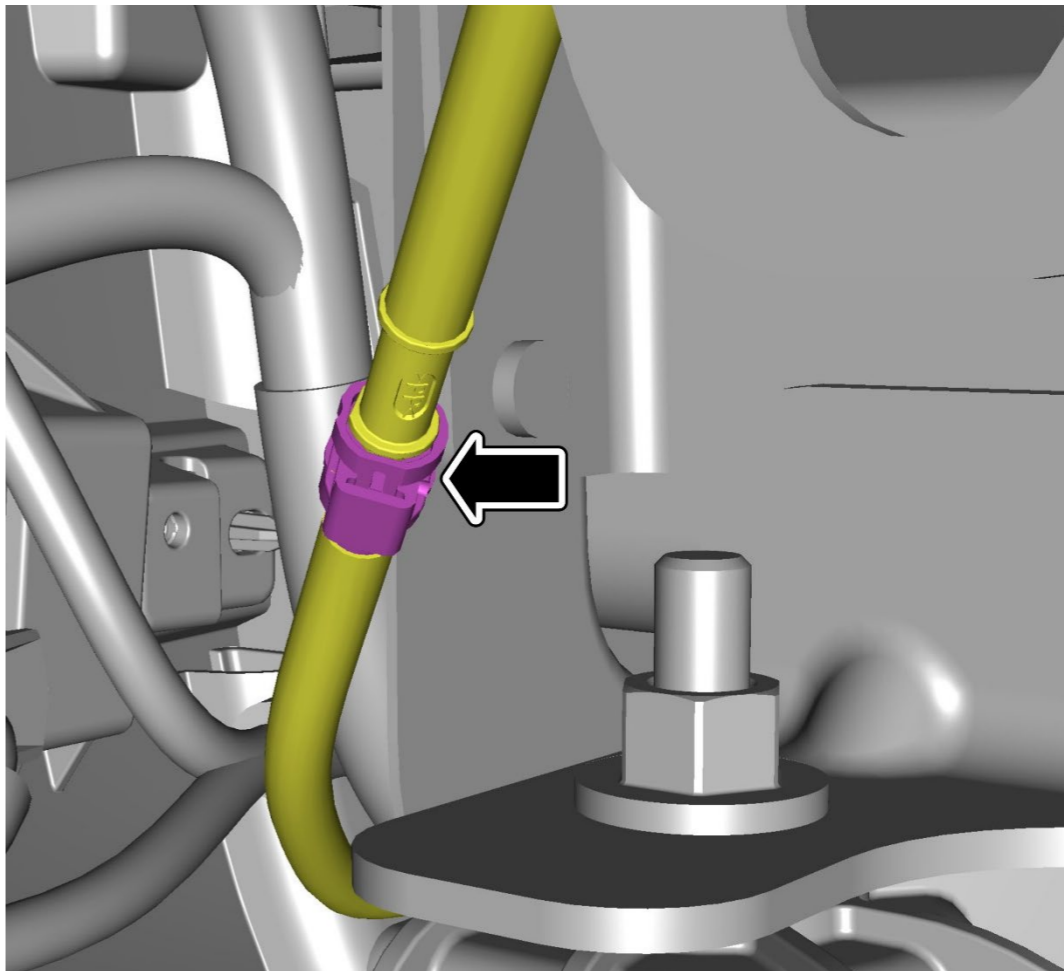
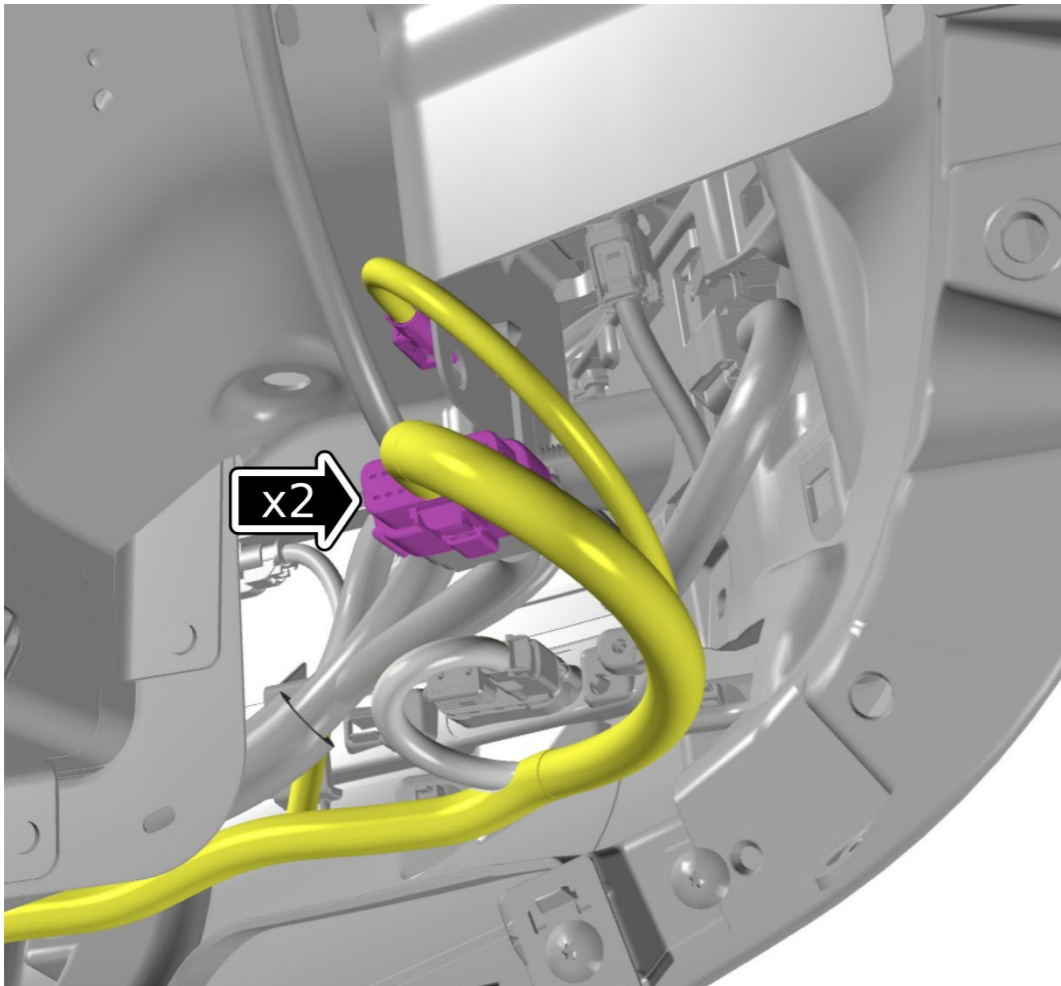
# Rear Ladder Install Instructions



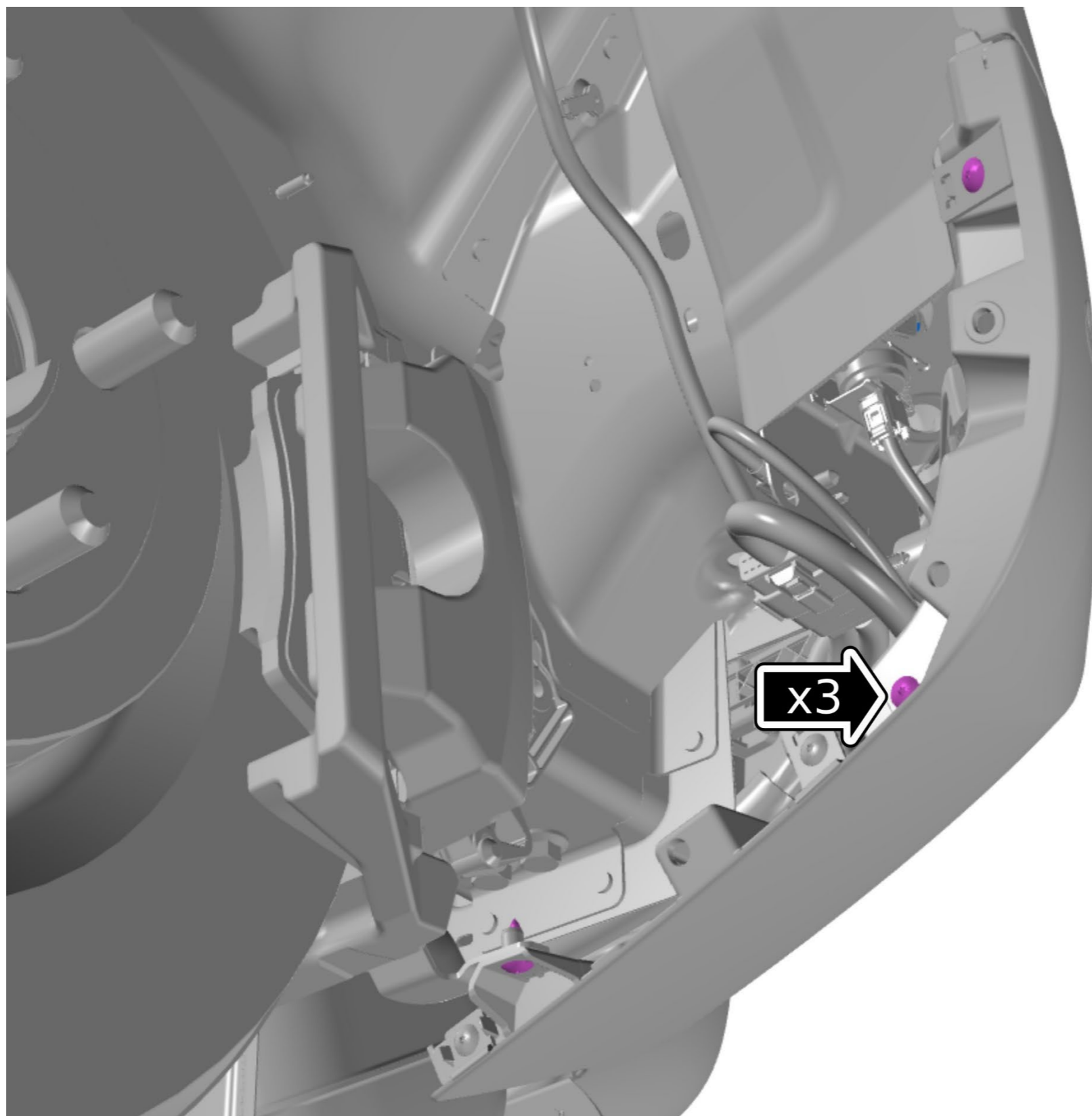
Remove rear wheel arch liner and mud flaps from rear bumper.



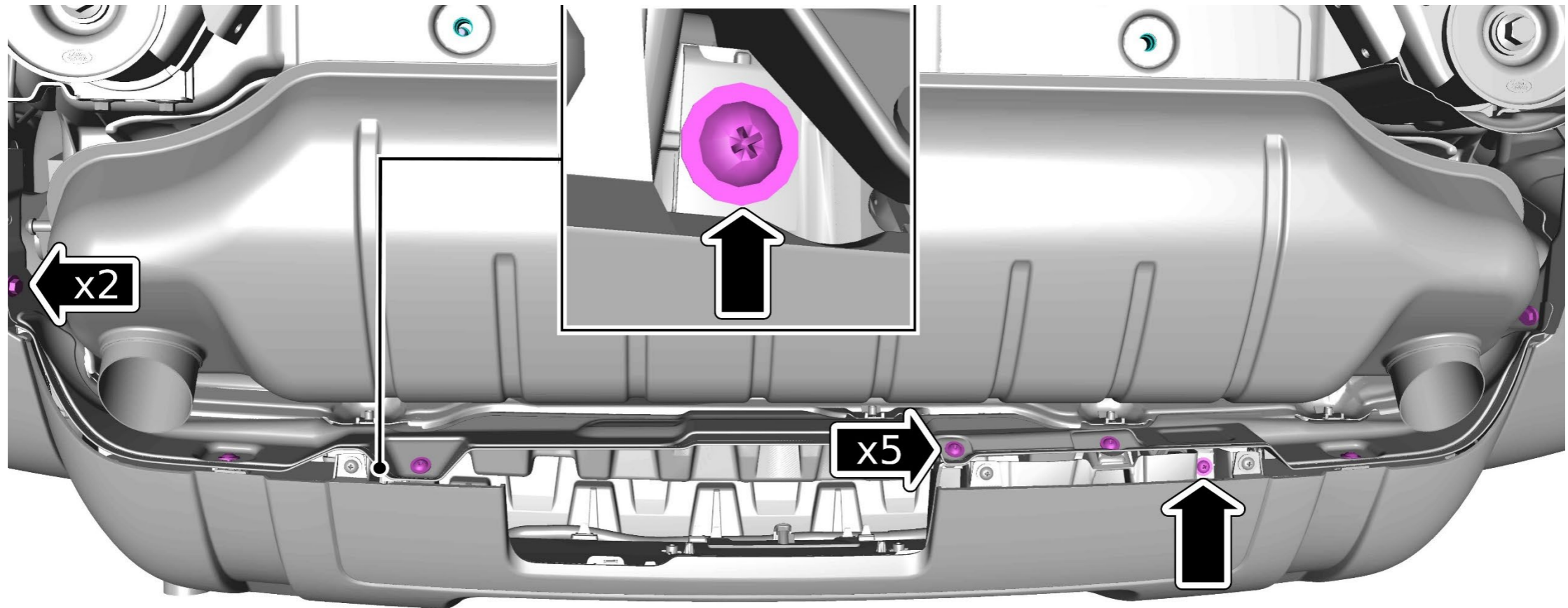
Disconnect all electrical connections and water hose.



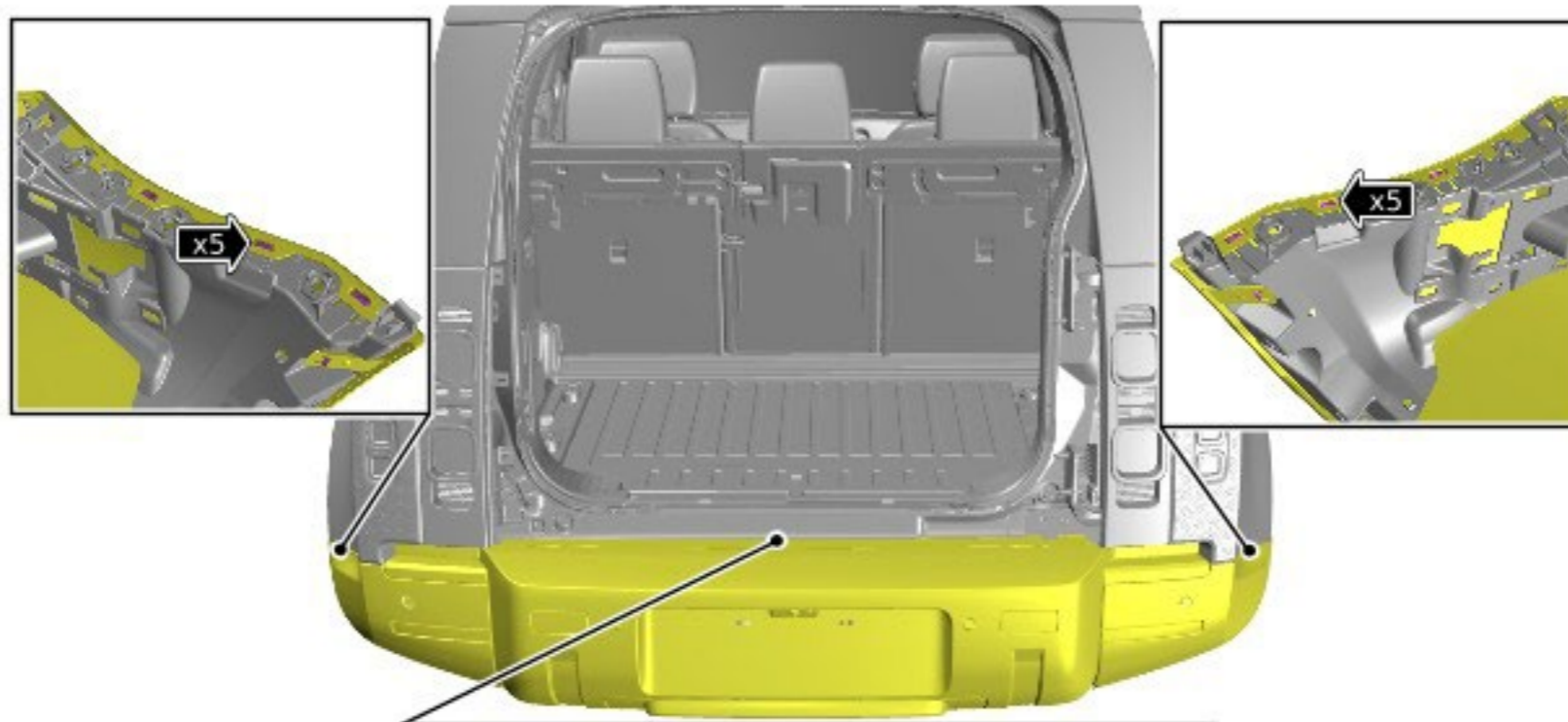
Remove the 2 screws and 1 bolt from each side holding the bumper cover.



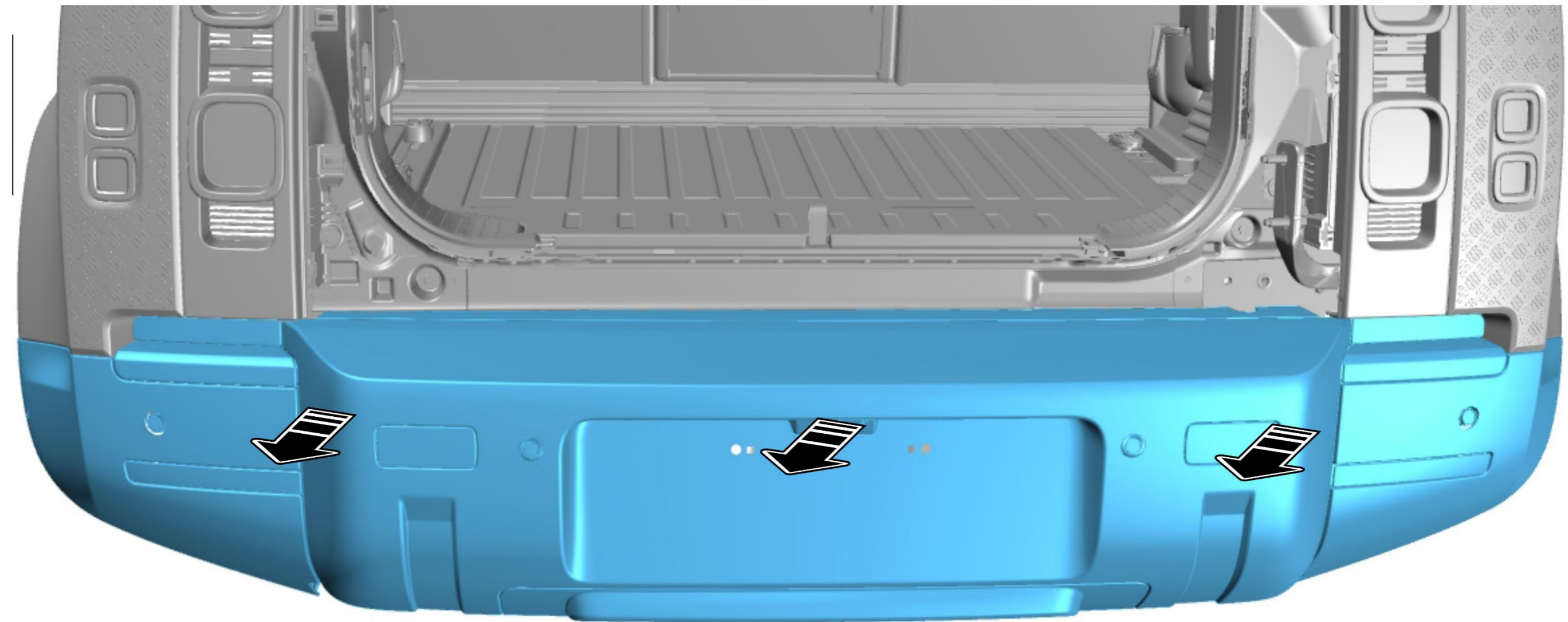
Remove 7 screws and 2 bolts from the under side of the bumper cover.



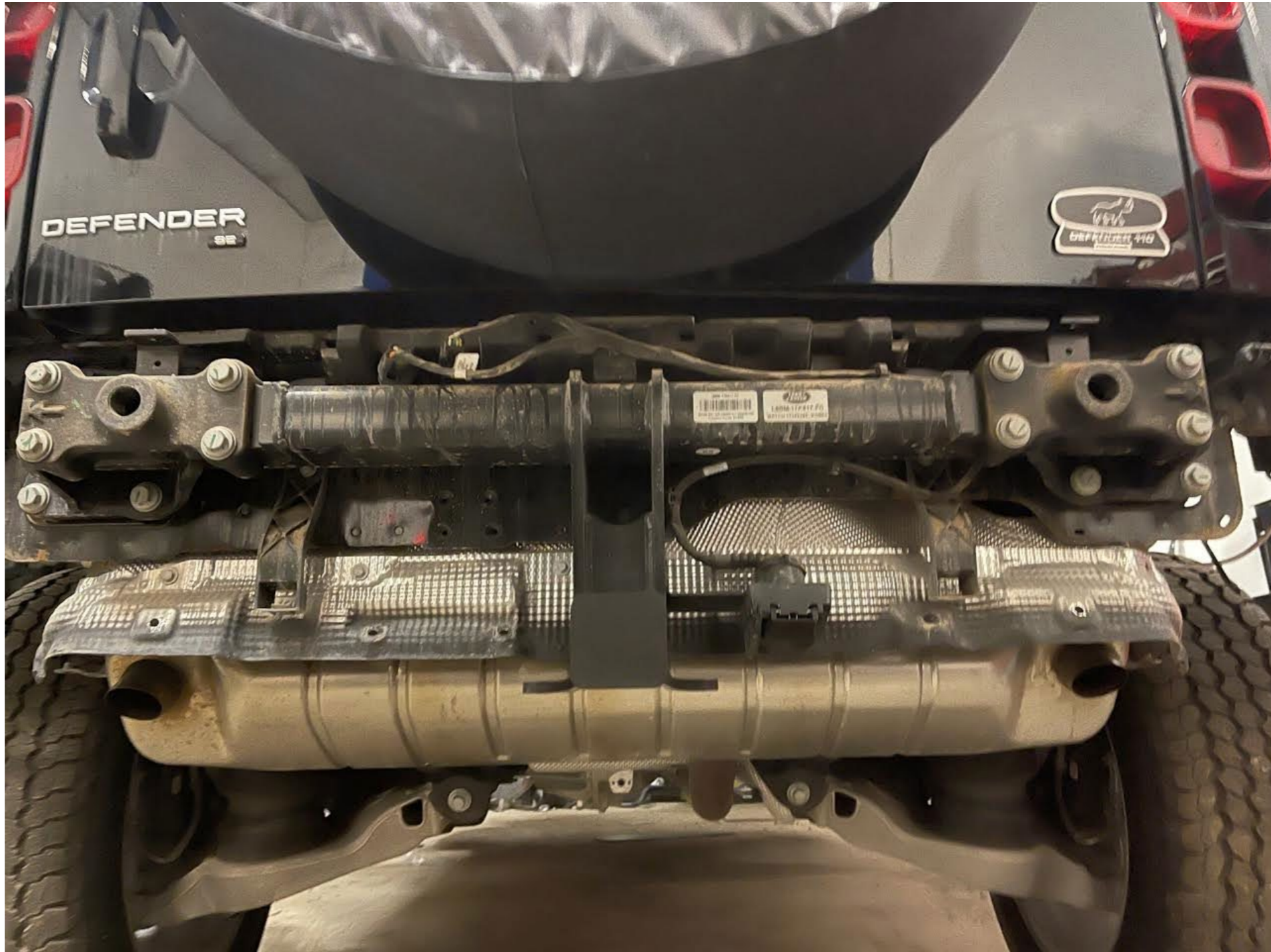
Gently pull the sides of the bumper cover free.



Pull the center section free from the snap clips that hold it in place.

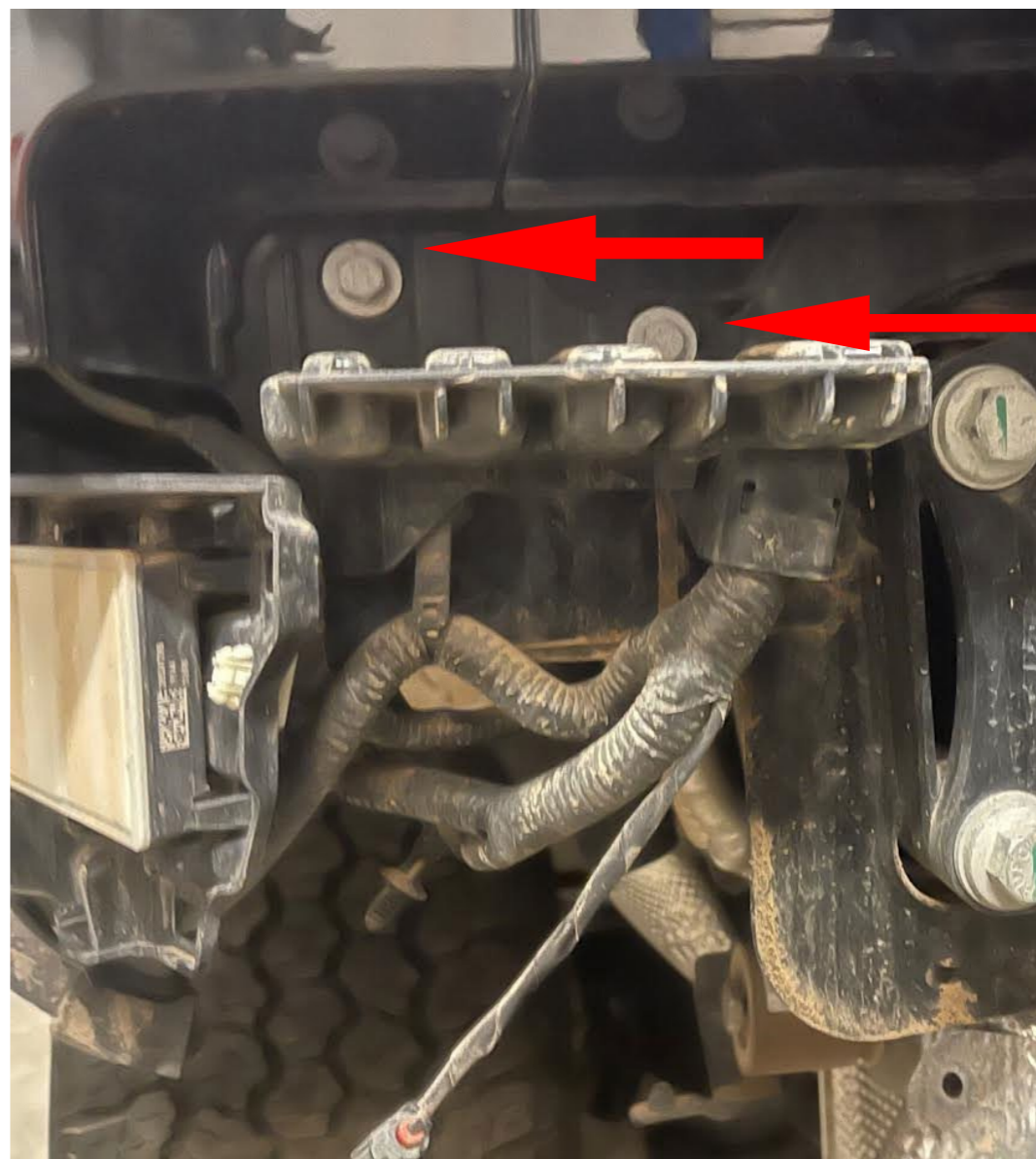


The hard part is done.  
Onto the Ladder.





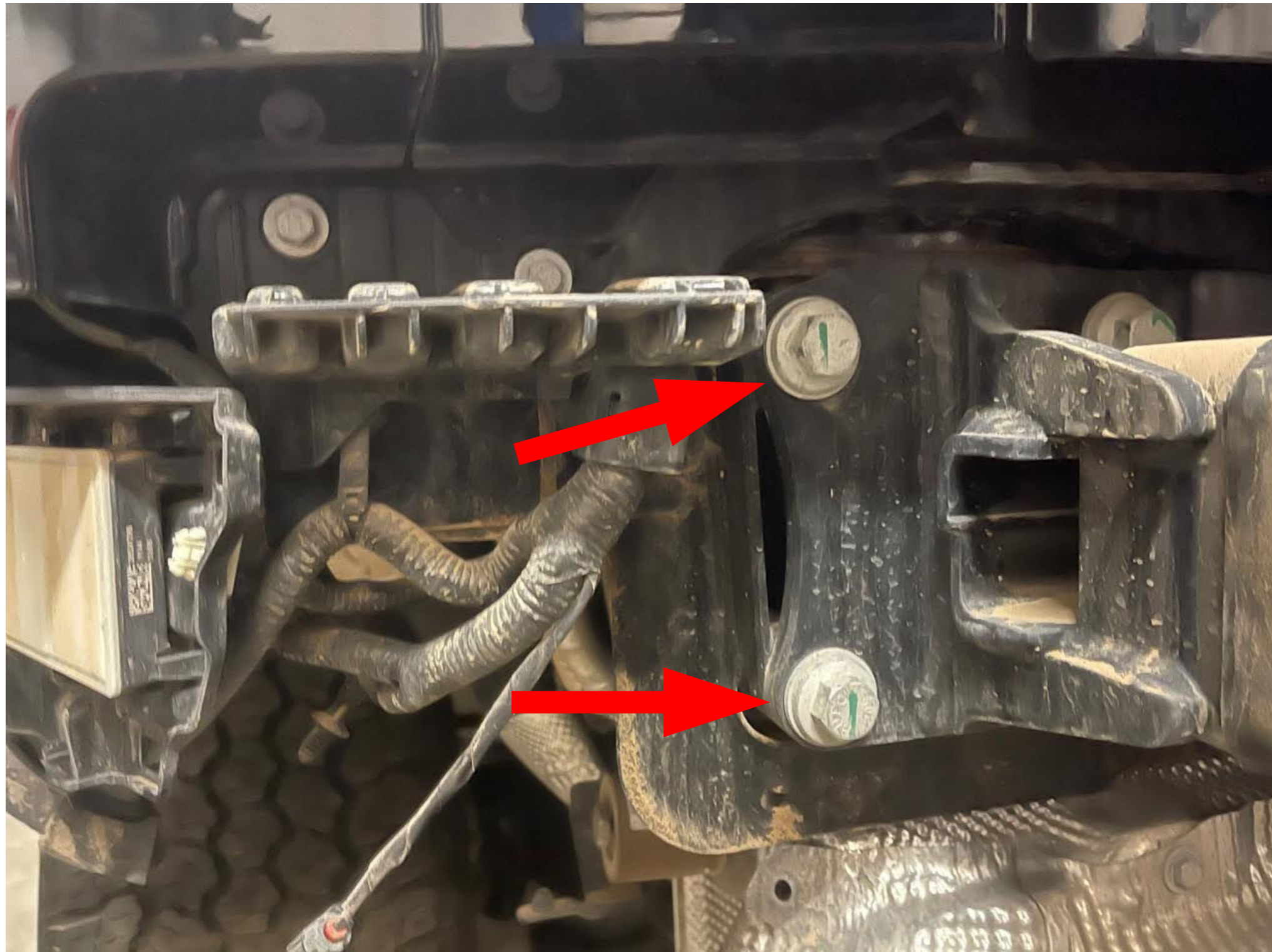
Remove these 2 bolts holding  
a small plastic trim piece.



Discard trim piece.



Remove the 2 bumper core support bolts.



Test fit lower support to see if there interference of plastic in the upper right corner



File or grind plastic out of the way if needed.



Re-install the 2 lower support bumper bolts,  
but do not fully tighten.



Using the spacer behind the upper bracket corner mount, align the holes.



Install the 6mm bolt and washer.  
Snug up the 2 main bumper core bolts.





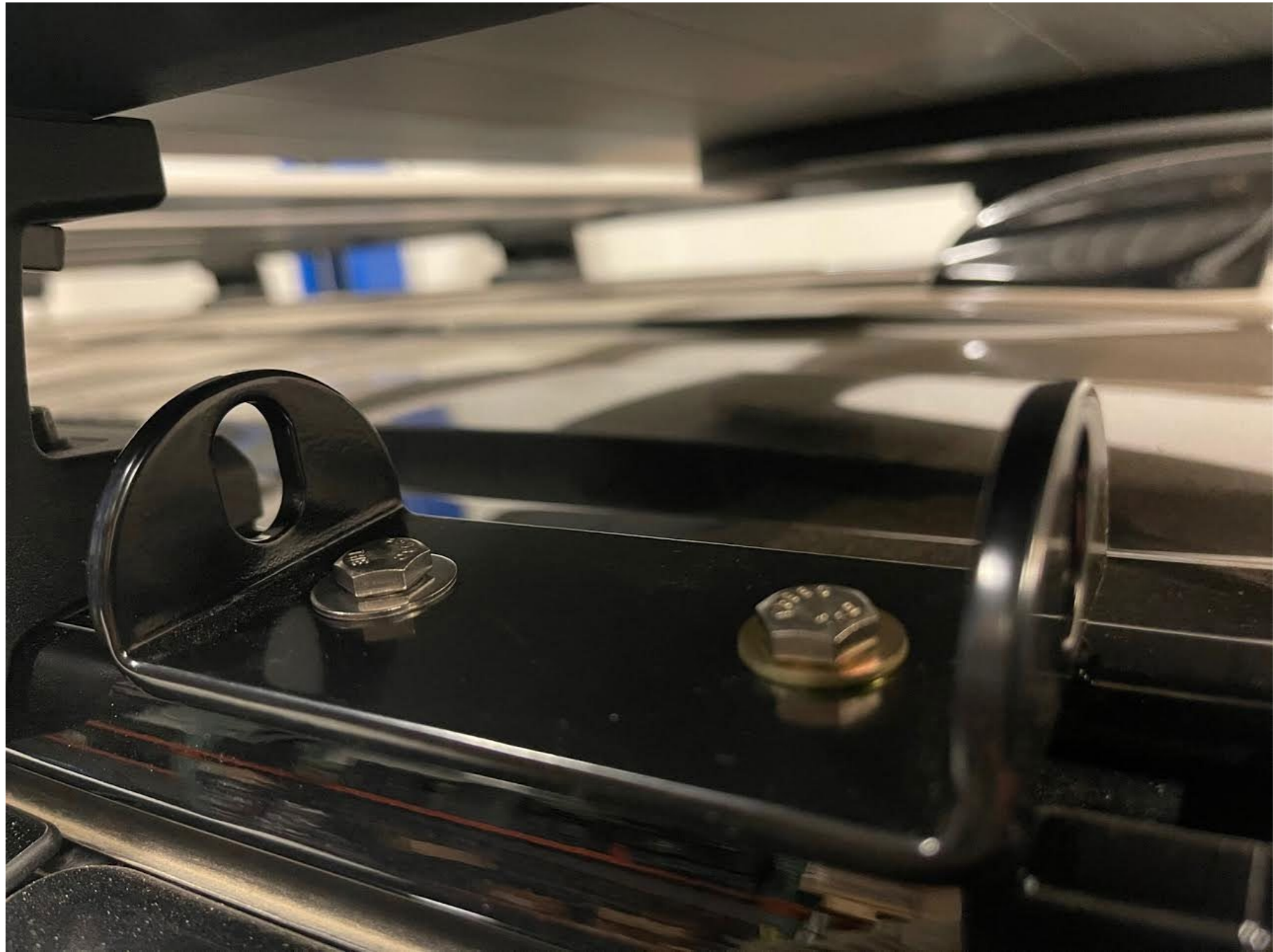
Drop upper mounting plate into the roof rail track



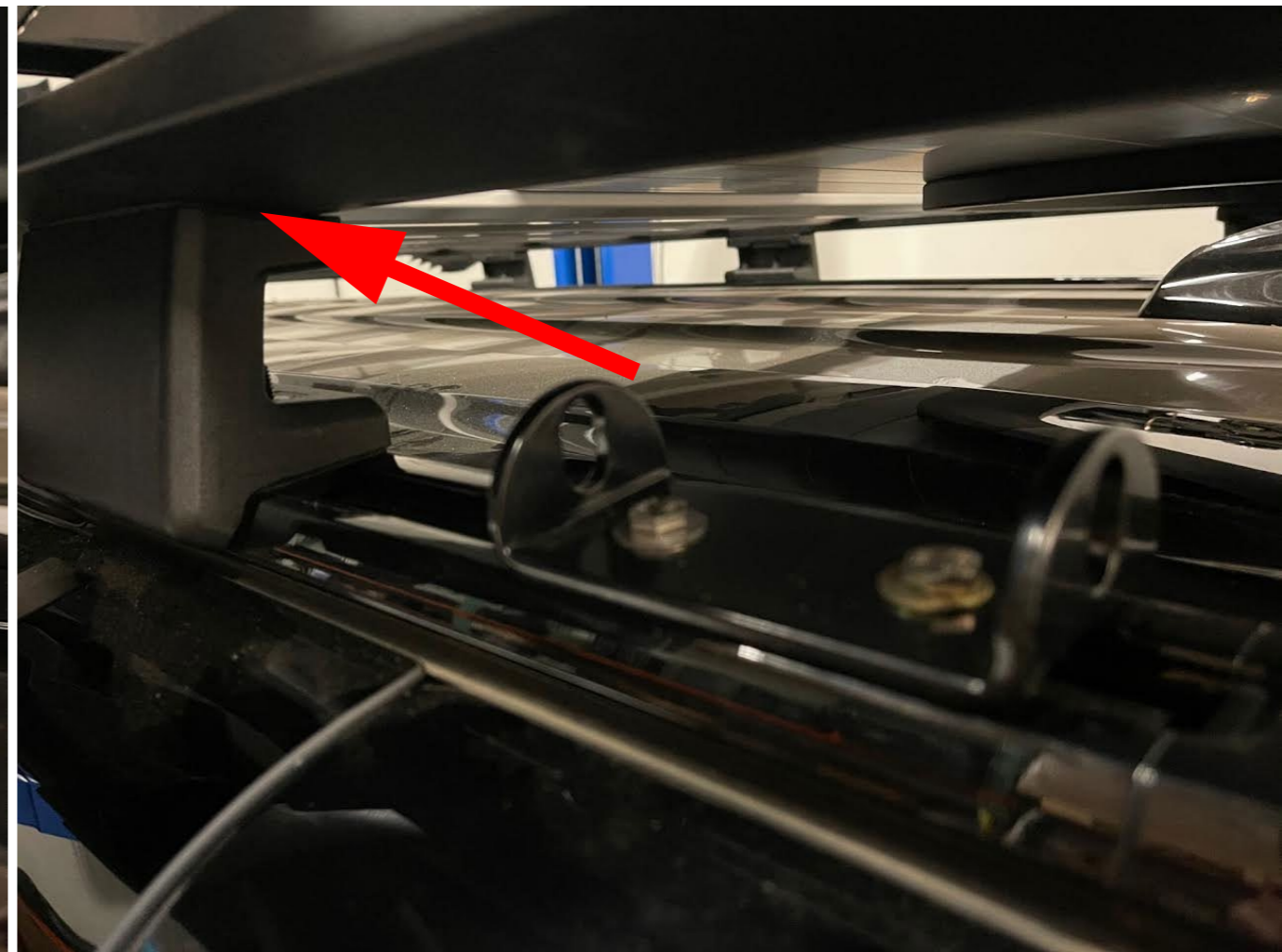
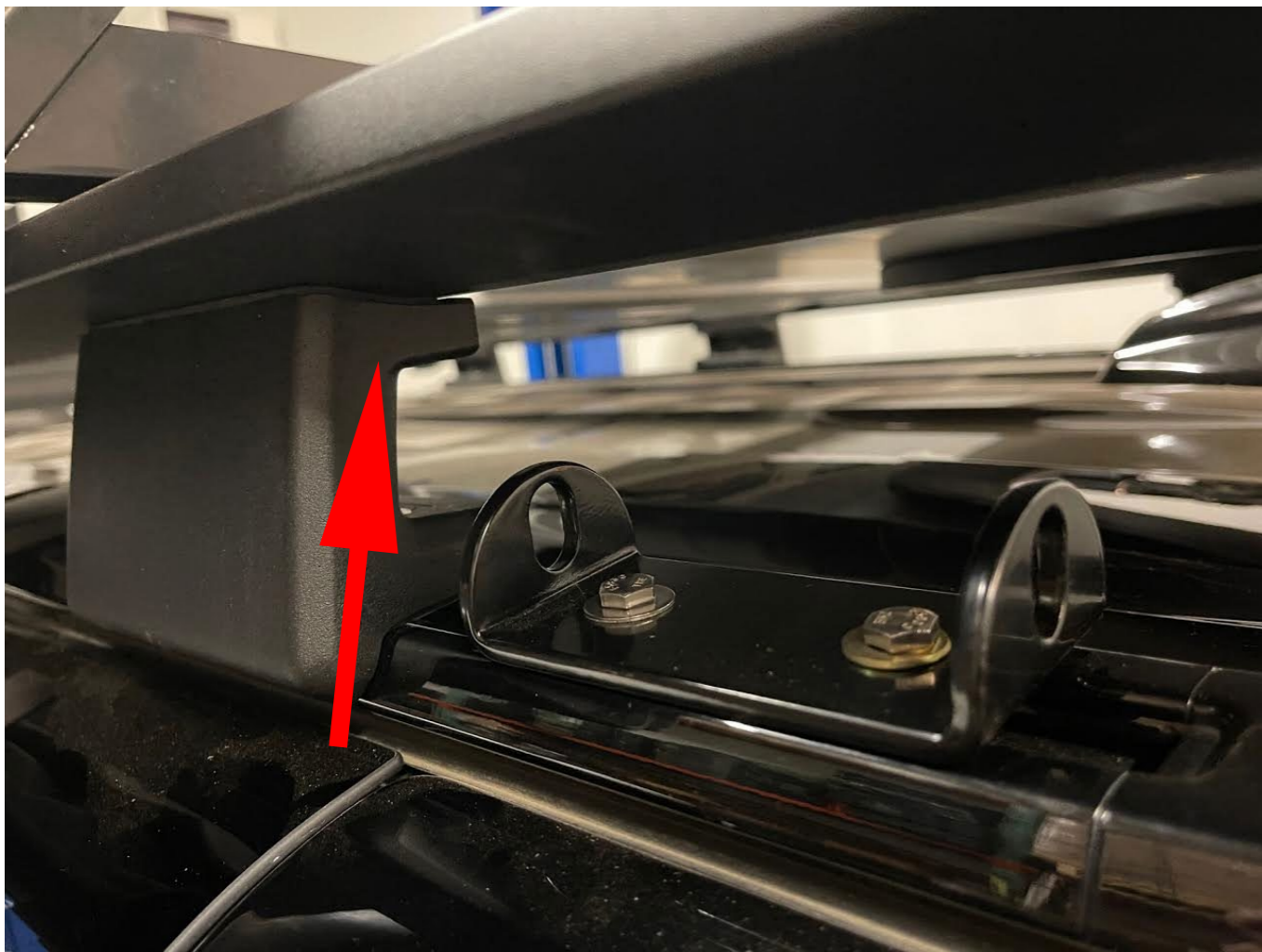
Slide the pate all the way to the rear



Install the upper rail support bracket and tighten down the 2 - 14/20 bolts.



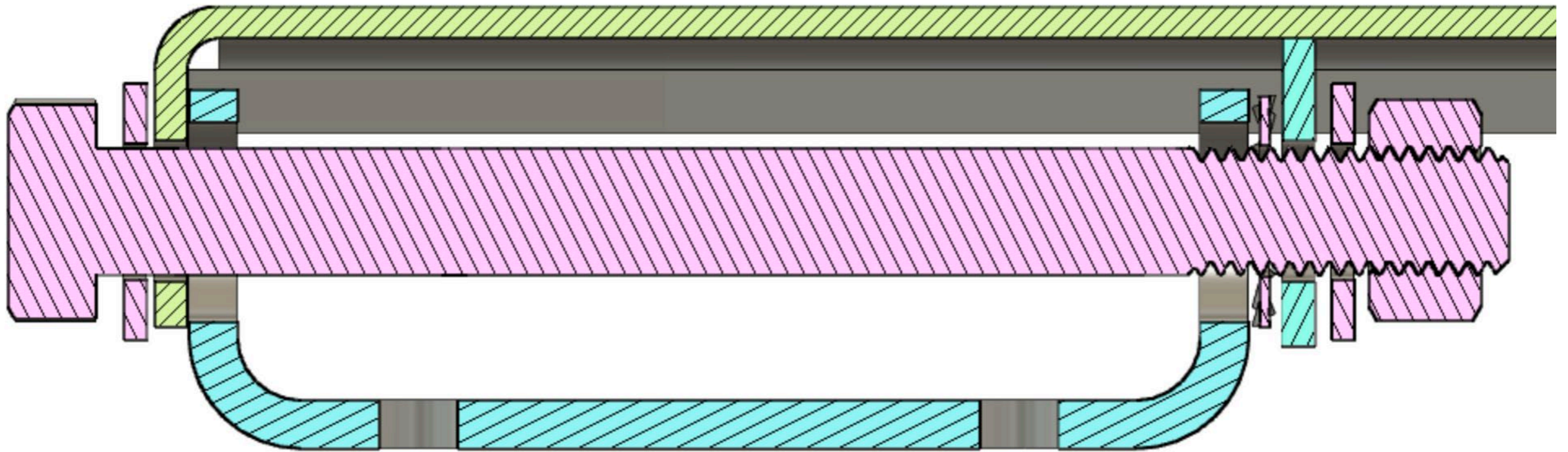
If you have a roof rack you will need to slide the rear mounting bracket out of the way to fit the mounting bolt.



The long bolt should fit easily with the mounting bracket removed.



Install the top mount with the hardware in place as shown.



Install the top bracket but do not fully tighten.



Test fit ladder to make sure  
the 4 mounting holes all align.





Make sure the door does not hit the ladder when you open it.



Set the ladder aside so you can notch the rear bumper for the lower bracket.

**Before**



**After**



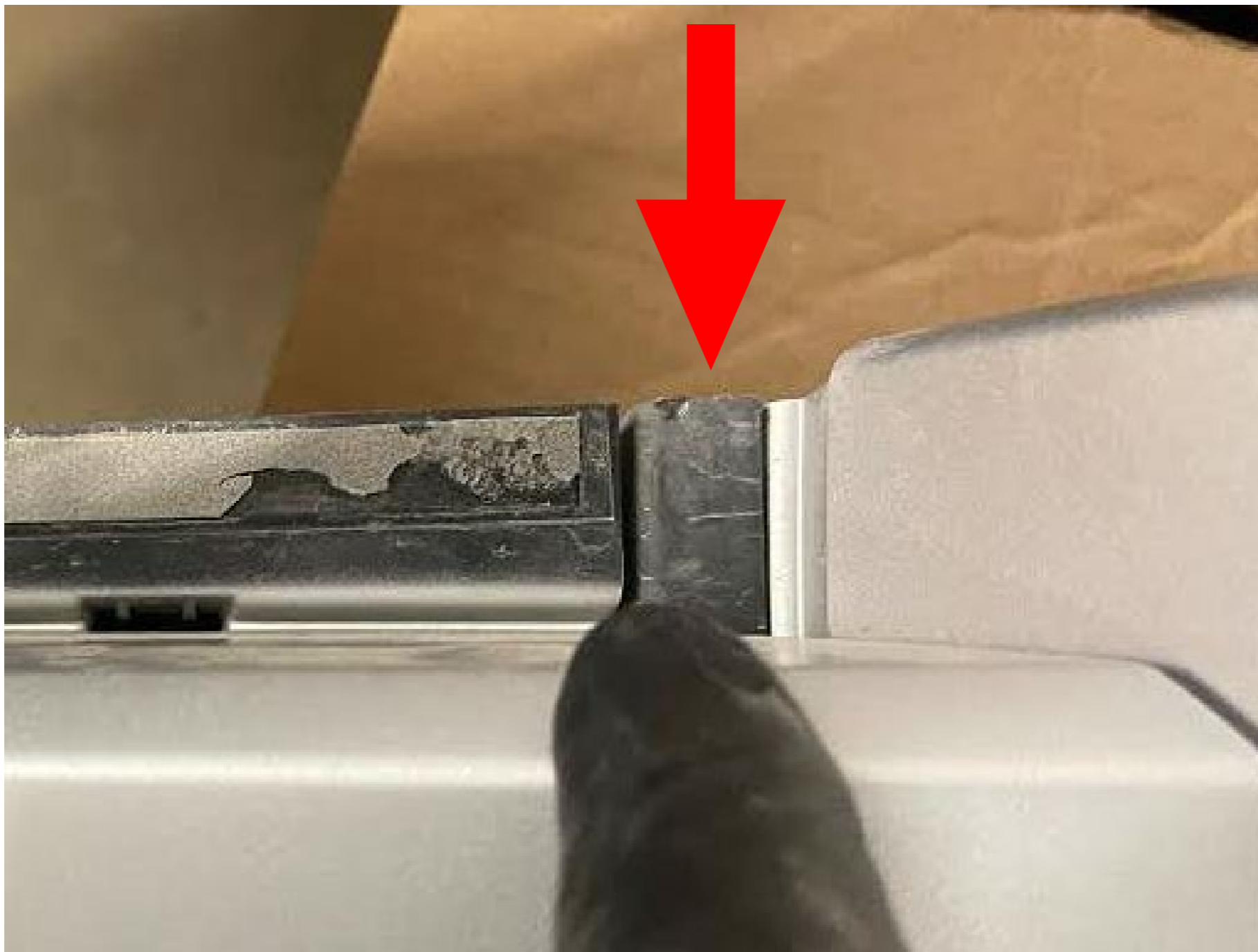
Remove the body color piece  
of trim held on with two sided tape



Cut off the plastic flush with the top of the bumper.



Do not remove this part of the bumper.



When you're done, it should look like this.



Reinstall the bumper cover.

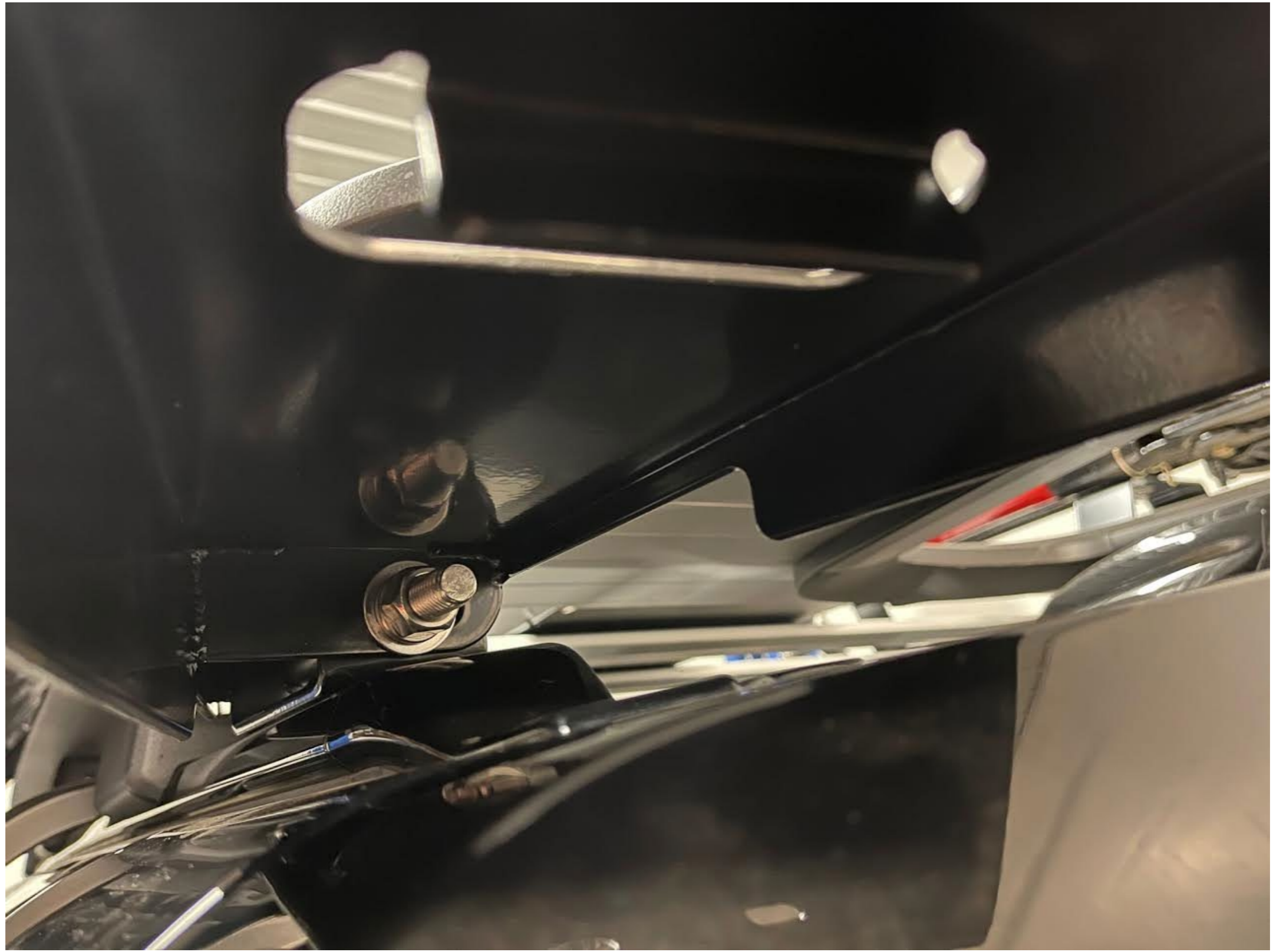


Test fit the ladder to make sure there is no interference with the door.





Tighten down the top mounting bracket bolt.



Install the ladder with the 4 button head bolts.



Job complete, congratulations !

