

PUBLISHED: 17-MAR-2020
2020.0 DEFENDER (LE), 501-03

BODY CLOSURES

FRONT DOOR (G2424155)

REMOVAL AND INSTALLATION

76.28.01	DOOR ASSEMBLY - FRONT - EACH - RENEW	ALL DERIVATIVES	2.20	USED WITHINS	+
----------	--	--------------------	------	--------------	---

REMOVAL

CAUTION:

Protect the surrounding paintwork to avoid damage.

NOTES:

- This procedure contains illustrations for left hand drive vehicles, right hand drive vehicles are similar.
- This procedure contains illustrations showing certain components removed to provide extra clarity.
- This procedure contains some variation in the illustrations depending on the vehicle specification, but the essential information is always correct.

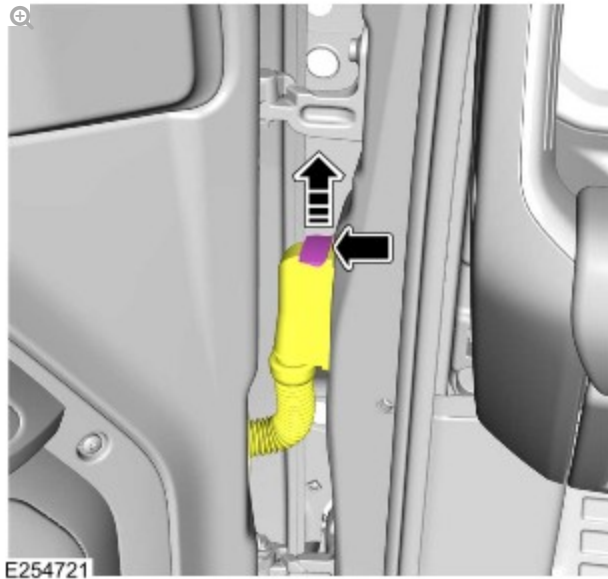
1. Disconnect the startup battery ground cable.
Refer to:[Startup Battery Disconnect and Connect](#) (414-00 Battery and Charging System - General Information, General Procedures).
2. Remove the door mirror.
Refer to:[Door Mirror](#) (501-09 Rear View Mirrors, Removal and Installation).
3. Remove the front door lower moulding.
Refer to:[Front Door Lower Moulding](#) (501-08 Exterior Trim and Ornamentation, Removal and Installation).

4. Remove the front door window.
Refer to:[Front Door Window](#) (501-11 Glass, Frames and Mechanisms, Removal and Installation).

5. Remove the front door latch.
Refer to:[Front Door Latch](#) (501-14 Handles, Locks, Latches and Entry Systems, Removal and Installation).

6. Remove the front door weatherstrip.
Refer to:[Front Door Weatherstrip](#) (501-03 Body Closures, Removal and Installation).

7.



Disconnect the front door wiring harness from the body wiring harness.

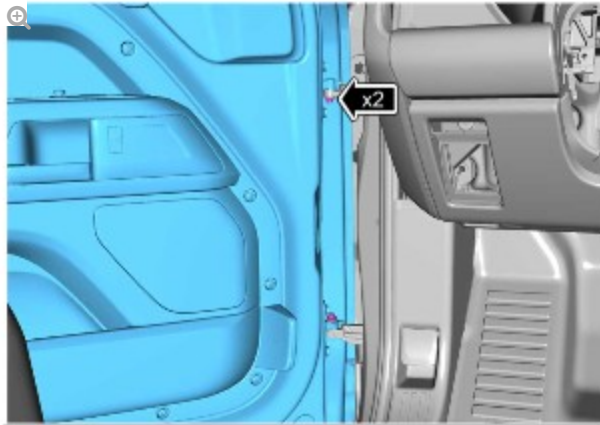
8.

CAUTIONS:

- Lay the front door on felt covered supports.
- The component(s) may be heavy. Take extra care when handling.

NOTE:

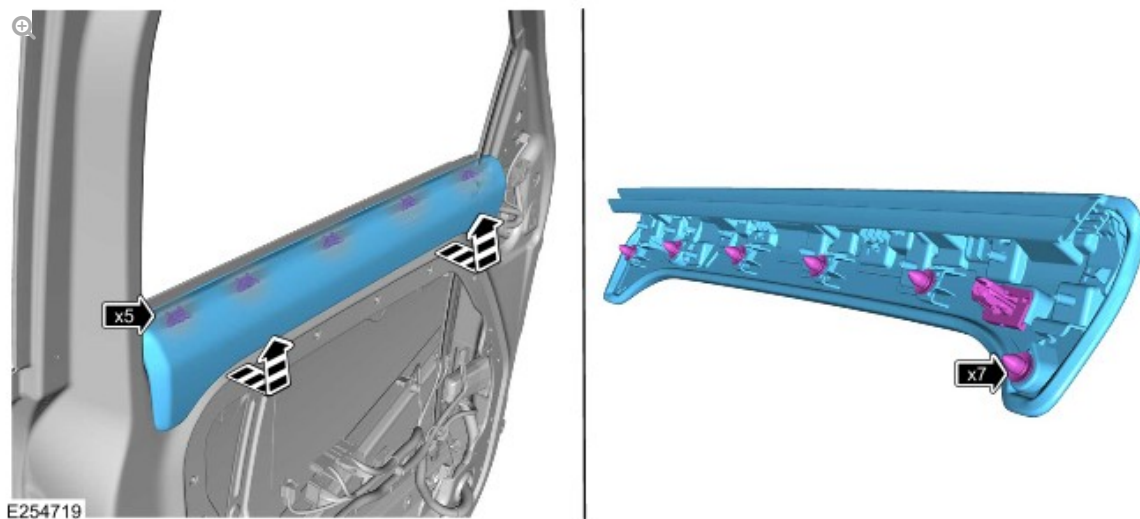
This step requires the aid of another technician.



E254720

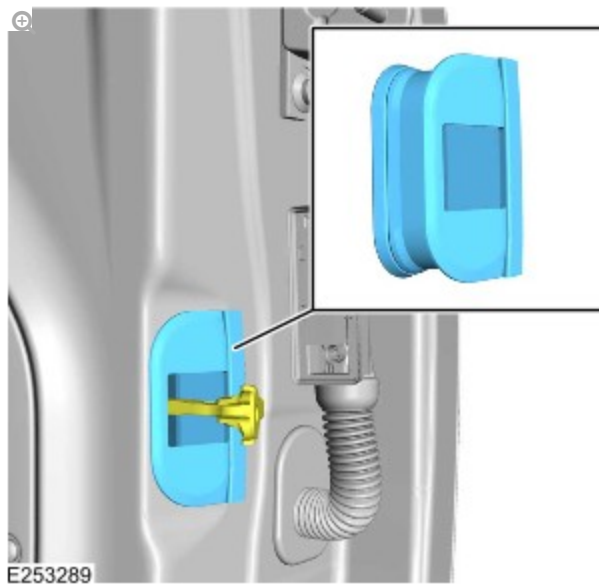
- Remove the 2 bolts.
- Remove the front door.

9.



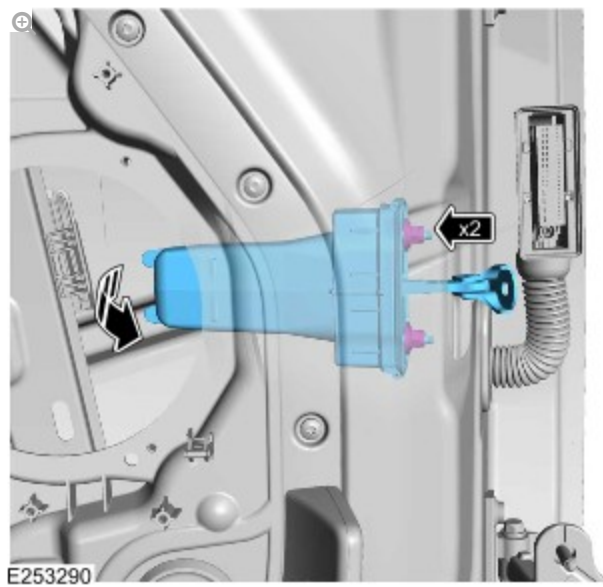
- Release the 12 clips.
- Remove the front door upper trim panel as illustrated.

10.



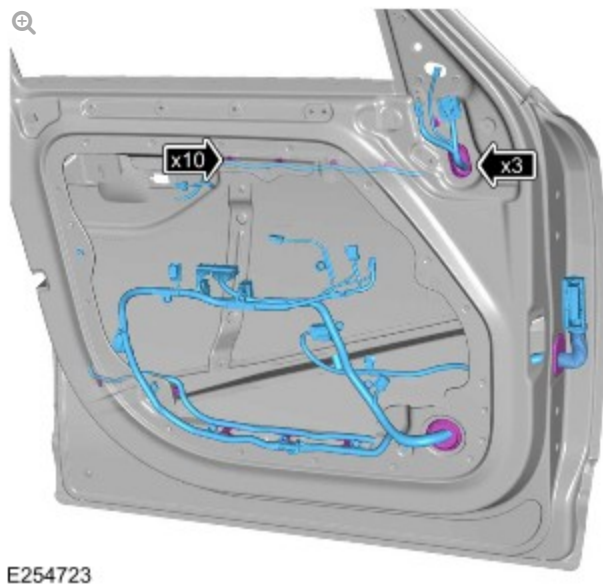
Remove the rubber access cover.

11.



- Remove the 2 nuts.
- Remove the front door check arm.

12.



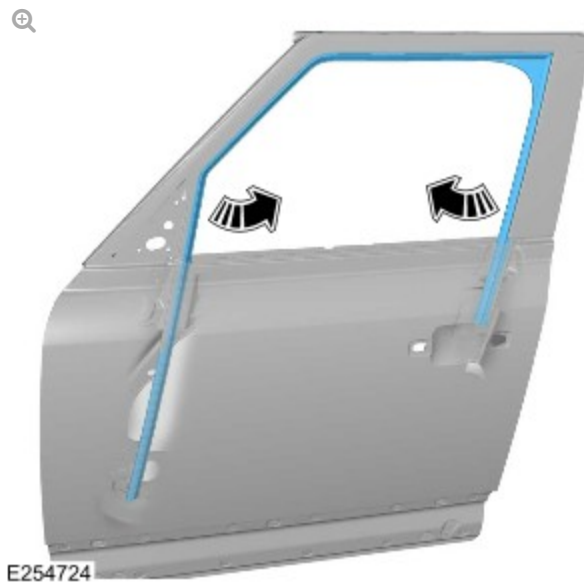
- Release the 10 wiring harness clips.
- Release the 3 grommets.
- Remove the front door wiring harness.

13.



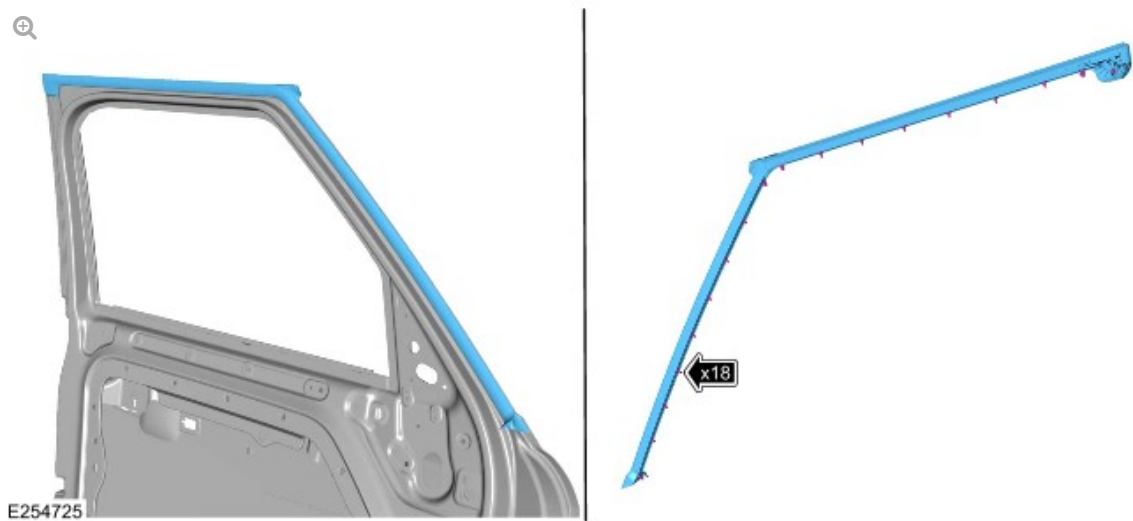
- Remove the 4 bolts.
- Remove the 2 front door hinges.

14.



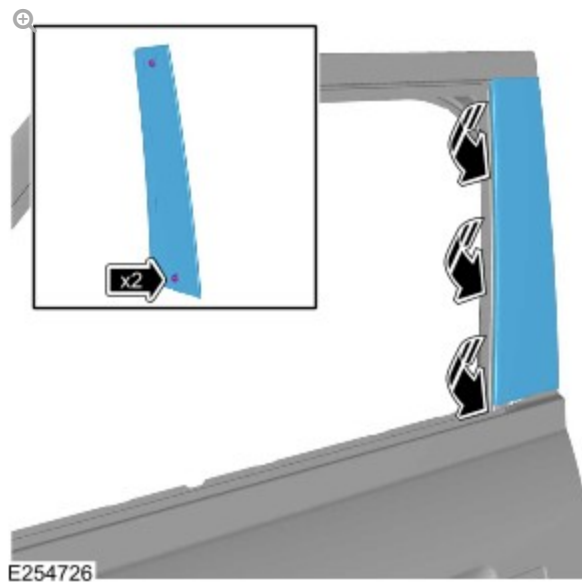
Remove the front door window runner seal.

15.



- Release the 18 clips.
- Remove the front door upper weatherstrip.

16.



- Release the 2 clips.
- Remove the front door frame finisher.

17.



Remove the front door frame upper finisher.

INSTALLATION

1. Install the front door frame upper finisher.
 2. Install the front door frame finisher.
 3. Install the front door upper weatherstrip.
 4. Install the front door window runner seal.
 5.
 - Install the 2 front door hinges.
 - Install and tighten the 4 bolts.
Torque: 35Nm
 6.
 - Install the front door wiring harness.
 - Install the 3 grommets.
 - Install the 10 wiring harness clips.
-

7.
 - Install the front door check arm.
 - Install and tighten the 2 nuts.
Torque: 12Nm
-

8. Install the access cover.
-

9. Install the front door upper trim panel.
-

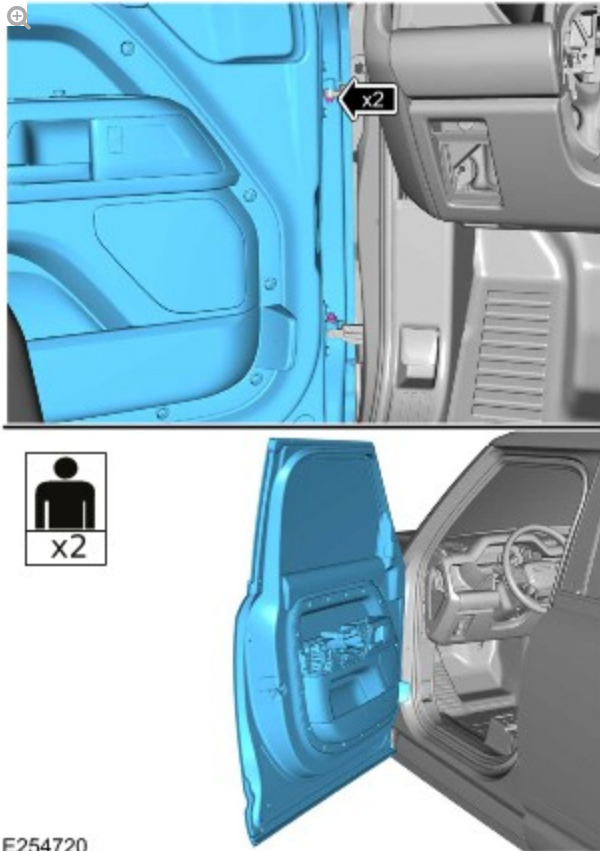
10.

CAUTION:

The component(s) may be heavy. Take extra care when handling.

NOTE:

This step requires the aid of another technician.



- Install the front door.
- Install and tighten the 2 bolts.
Torque: 13.5Nm
- Check the front door gaps and align if necessary.
Refer to:[Front Door Alignment](#) (501-26 Body Repairs - Vehicle Specific Information and Tolerance Checks, General Procedures).

11. Connect the front door wiring harness to the body wiring harness.

12. Install the front door weatherstrip.
Refer to:[Front Door Weatherstrip](#) (501-03 Body Closures, Removal and Installation).

-
13. Install the front door latch.
Refer to:[Front Door Latch](#) (501-14 Handles, Locks, Latches and Entry Systems, Removal and Installation).
-
14. Install the front door window.
Refer to:[Front Door Window](#) (501-11 Glass, Frames and Mechanisms, Removal and Installation).
-
15. Install the front door lower moulding.
Refer to:[Front Door Lower Moulding](#) (501-08 Exterior Trim and Ornamentation, Removal and Installation).
-
16. Install the door mirror.
Refer to:[Door Mirror](#) (501-09 Rear View Mirrors, Removal and Installation).
-
17. Connect the startup battery ground cable.
Refer to:[Startup Battery Disconnect and Connect](#) (414-00 Battery and Charging System - General Information, General Procedures).