



**DEFENDER**  
**VEHICLE RECOVERY GUIDE**

**Publication Part No. LRL 18 03 68 201**

# Vehicle Recovery Guide

## INTRODUCTION

### **⚠️ WARNING**

The vehicle recovery (towing) guide is designed to be used by qualified vehicle recovery (towing) personnel only.

#### Disclaimers

The information contained within this recovery guide was correct at the time of print. In the interest of development, the right is reserved to change specifications, design, or equipment, at any time, without notice and without incurring any obligations. For the latest information, refer to:

<https://topix.landrover.jlrext.com>.

Appropriate service methods are essential for the safe and reliable recovery of all motor vehicles, as well as the safety of the person doing the work. The vehicle recovery guide provides general directions for safe and effective vehicle recovery.

#### Symbols used in this guide



This safety alert symbol precedes any safety message about a risk of personal injury. It will also have one of the following signal words.

### **⚠️ DANGER**

Indicates a hazardous situation that, if not avoided, will result in death or serious injury.

### **⚠️ WARNING**

Indicates a hazardous situation that, if not avoided, could result in death or serious injury.

### **⚠️ CAUTION**

Indicates a hazardous situation that, if not avoided, could result in minor or moderate injury.

### **NOTICE**

Indicate either a procedure which must be followed precisely, or information that should be considered with great care, in order to avoid the possibility of damage to the vehicle.

All rights reserved. Published by © Jaguar Land Rover Limited 2019.

## VEHICLE RECOVERY

### Vehicle inspection process

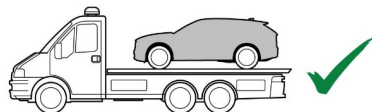
To avoid any later disputes, before recovery of a vehicle, inspect the interior and exterior for damage. Make a record of any damage you find and advise the owner or driver accordingly. Even minor damage can be expensive to repair, so make sure you carefully examine all areas of the vehicle.

### Vehicle recovery preparation

Wear clean gloves and fit suitable protective covers on the seat(s) and floor before driving the vehicle or operating the controls.

### Recovery method

#### Transporter or trailer:



E203234

The recommended method for recovery or transportation of the vehicle is on a transporter or trailer designed for that purpose.

## Straight bar tow on all wheels:



E206028

If the vehicle cannot be recovered by using the recommended method, in an emergency, the vehicle can be towed on all four wheels for a short distance.

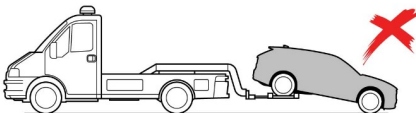
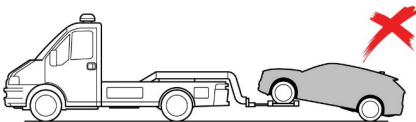
## NOTICE

Do not tow the vehicle on all four wheels unless it is essential e.g., in an emergency.

## NOTICE

Do not tow the vehicle for more than 30 miles (50 km). Do not exceed 30 mph (50 km/h). Towing for a greater distance or at a higher speed may result in serious damage to the transmission.

## Tow with front or rear wheels suspended:



E206029

## ⚠ WARNING

Make sure that vehicle recovery or transportation is carried out by suitably qualified personnel and the vehicle is secured correctly.

## NOTICE

Do not recover the vehicle with the front or rear wheels suspended. Where circumstance requires an exception can be made for 2 Wheel Drive (2WD) derivatives.

## NOTICE

The recovery agent must activate the transmission park release before recovery starts. Failure to activate the transmission park release can result in serious transmission damage.

## NOTICE

During vehicle recovery, the smart key must remain inside the vehicle and the ignition must be switched on. This is to make sure that the steering column is unlocked.

## NOTICE

The vehicle should not be towed on all four wheels and should not be recovered with the front or rear wheels suspended. Doing so can result in serious transmission damage.

**Note:** If the vehicle's battery is to be disconnected, the steering column must be unlocked first. The steering column cannot be unlocked with the battery disconnected.

# Vehicle Recovery Guide

**Note:** For vehicles with **Secure Tracker**, make sure that the owner is advised to place the vehicle in to **Transport Mode** using the **Land Rover InControl Remote Smartphone App**, or via the InControl website. Transport mode prevents stolen vehicle tracking alerts being raised while the vehicle is being transported.

## Towing points

For access to the front towing eye, see **27, FRONT TOWING EYE**.

For access to the rear towing eye, see **28, REAR TOWING EYE**.

## TRANSPORTING THE VEHICLE

### **⚠ WARNING**

Use extreme caution when moving or towing the vehicle. Death or serious injury may occur.

### **NOTICE**

Only use the tie-down points or over-wheel straps. Using straps over the body or suspension is not permissible, as settling of the suspension causes the tie-down straps to loosen.

### **NOTICE**

The vehicle should not be towed on all four wheels and should not be recovered with the front or rear wheels suspended. Doing so can result in serious transmission damage.

The recommended method for recovery or transportation of the vehicle, is on a flatbed towing truck.

## ELECTRIC PARKING BRAKE (EPB) RELEASE

### **⚠ WARNING**

Chock the wheels and make sure that all personnel are clear of the vehicle before carrying out the following procedure.

If the Electric Parking Brake (EPB) does not release, because of a system fault or flat battery, for example, operate the emergency release procedure. Disengage the EPB, as follows:

**Note:** The use of other methods such as starting aids, jump leads, and dollies may negate the need to perform this procedure.

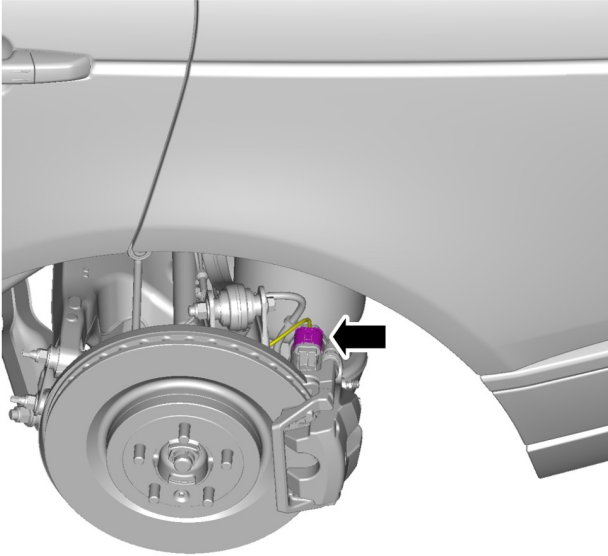
### **Deactivation**

- Disconnect the vehicle battery.
- Raise and support the vehicle.

### **⚠ WARNING**

Make sure to support the vehicle with axle stands.

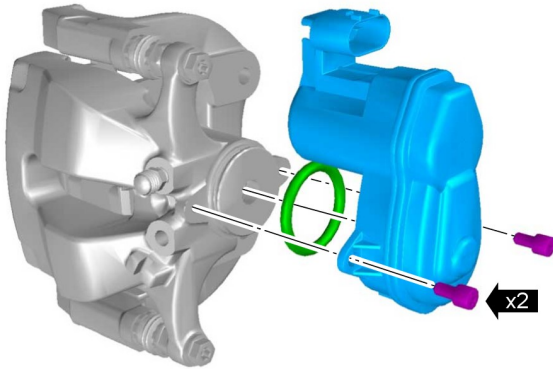
- Remove a rear wheel.
- Release the electrical connector.



E146982

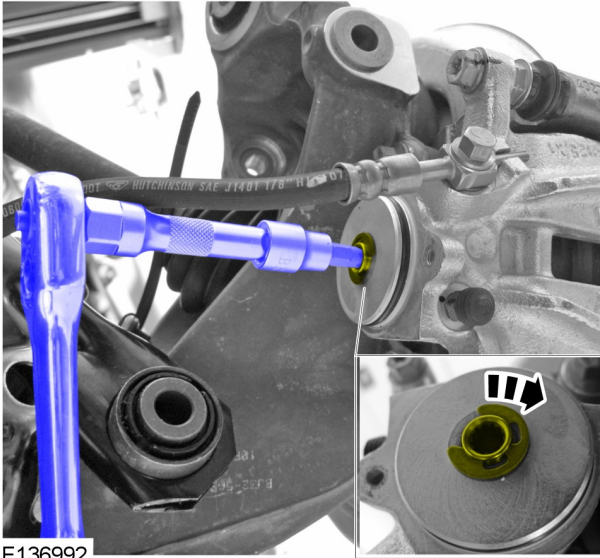
- Remove and discard the two bolts securing the EPB actuator to the brake caliper.

Torque: 11 Nm.



E146983

- Remove the EPB actuator from the brake caliper. Discard the O-ring seal.



- Repeat the procedure for the other side of the vehicle.

## Activation

### **NOTICE**

*New O-ring seal is to be fitted.*

### **NOTICE**

*New bolts are to be fitted.*

- To refit, reverse the removal procedure.
- Calibrate the EPB using the diagnostic tool. See **9, ON-BOARD DIAGNOSTICS (OBD) CONNECTOR LOCATION**.

## TRANSMISSION PARK RELEASE

### **⚠WARNING**

Make sure that the vehicle is secured with wheel chocks. Apply the Electric Parking Brake (EPB), or have another person firmly press and hold the brake pedal. Failure to do so can result in unexpected movement of the vehicle, causing serious injury or death.

### **NOTICE**

*Failure to release the automatic transmission from Park (P) before recovering the vehicle, can result in serious damage to the automatic transmission.*

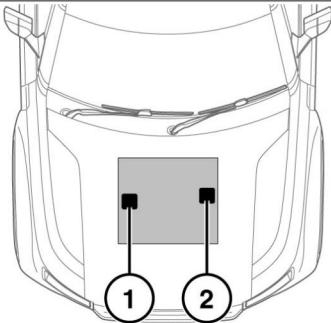
# Vehicle Recovery Guide

## NOTICE

When vehicle recovery is complete, make sure to return the automatic transmission to **P** and refit the engine cover.

In the event that a vehicle with an automatic transmission needs to be recovered, it is essential that the transmission park release system is activated. This locks the automatic transmission in Neutral (**N**) and prevents the automatic transmission from automatically selecting **P**. The engine cover will need to be removed for access.

When the transmission park release system is activated, the automatic gear selector remains in **P**, but the automatic gear selector indicator and the instrument panel both display a flashing **N**.

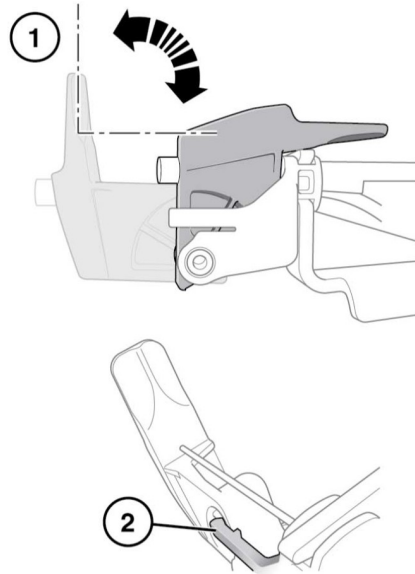


E256834

The transmission park release lever is located on the engine.

1. 3.0L gasoline.
2. All engines, except 3.0L gasoline.

## Transmission park release lever operation



E167134

To release the automatic transmission from **P**:

1. Make sure the vehicle is suitably secured using an appropriate method e.g., wheel chocks. Gradually pull the lever up, approximately 90 degrees to the vertical position.

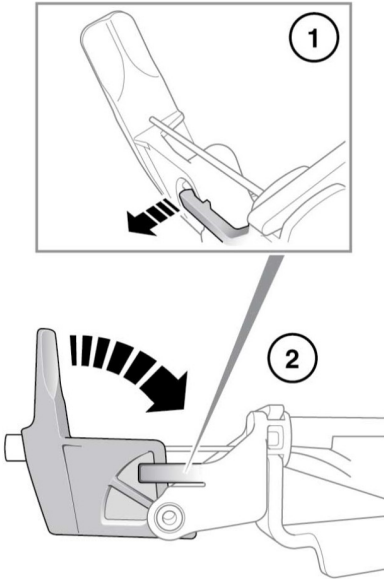
## NOTICE

*Do not apply excessive force to the handle, and do not pull the handle up more than 90 degrees. Either action may damage the transmission park release system.*

2. The securing latch engages to hold the handle in the vertical position.



**Note:** When the securing latch engages an audible click may be heard. Engagement may also be felt via the handle.



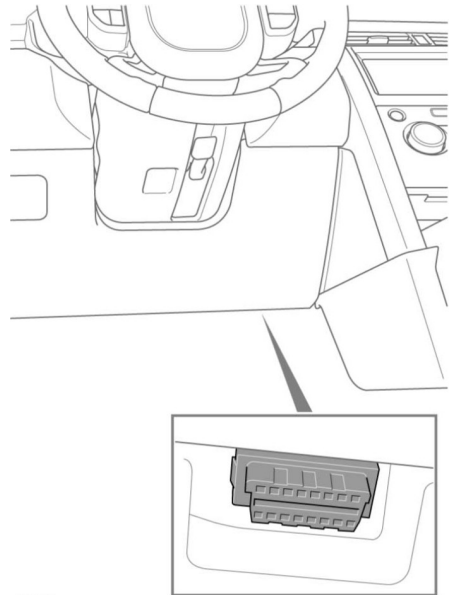
E167135

To return the automatic transmission to **P**:

1. Lightly release the securing latch.
2. The lever automatically returns to its normal, horizontal position.

Refit the engine cover.

## ON-BOARD DIAGNOSTICS (OBD) CONNECTOR LOCATION

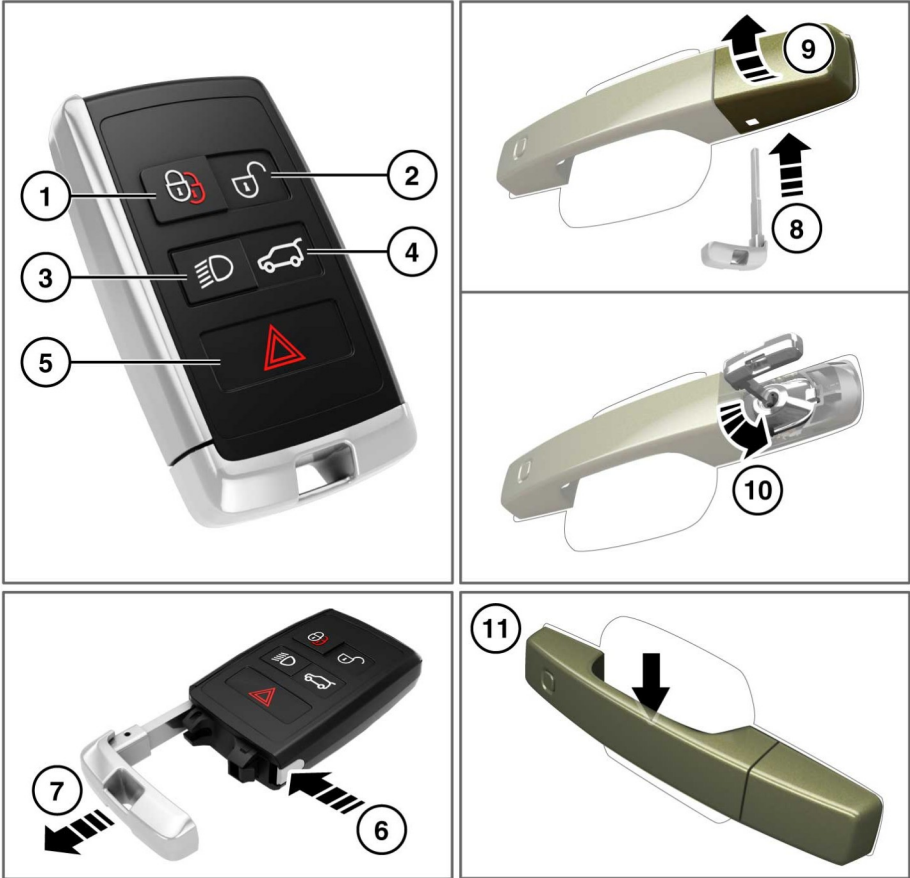


E195301

The On-Board Diagnostics (OBD) connector is located under the dashboard, on the driver's side.

# Vehicle Recovery Guide

## SMART KEY OPERATION



E246284

## **⚠️ WARNING**

The smart key system uses Radio Frequency (RF) transmissions that could interfere with implanted medical devices. To avoid any possibility of interference between the system and the device, make sure that the device is kept at a safe distance. The distance should be at least 9 in (22 cm) away from any transmitter. In rare circumstances, interference may cause an implanted medical device to malfunction. Malfunction of implanted medical devices may cause injury or death.

**Note:** For more information on the locations of the security system transmitters, see the Owner's Handbook.

## **⚠️ WARNING**

Never leave children or animals unattended in the vehicle. The vehicle can be operated when the smart key is inside the vehicle. Doing so may potentially result in accidental or unauthorized operation.

**Note:** The operational range of the smart key varies considerably, depending on atmospheric conditions and interference from other transmitting devices.

**Note:** If any door, or the taildoor, is unlocked ten times within a short period, the locking latch disables for approximately 1 minute.

**Note:** A replacement smart key can be obtained only from a retailer/authorized repairer. The retailer/authorized repairer will require proof of identification and ownership. Notify a retailer/authorized repairer immediately if a smart key is lost or stolen.

The vehicle is supplied with two smart keys. The smart keys act as remote controls for the locking and alarm system. The smart keys allow the vehicle to be locked, unlocked, and driven without the use of a conventional key. Each smart key also has an emergency key inserted in the smart key's body. See the Owner's Handbook.

Use of the smart key to operate the vehicle locks:

1. Lock: Press to secure the vehicle. The vehicle locks. In some markets, a second press double locks the vehicle. If power-fold mirrors are enabled, the mirrors fold in. Press and hold to activate the global closing feature, if available. See the Owner's Handbook.
2. Unlock: Press briefly to unlock the vehicle and disarm the alarm. The hazard warning lights flash twice to indicate that the vehicle is unlocked and the alarm is disarmed. The interior lights illuminate to assist entry to the vehicle. If power-fold mirrors are enabled, the mirrors unfold. See the Owner's Handbook.
3. Headlights: When approaching the vehicle during darkness, press to switch on the headlights to provide approach illumination. Press again to switch approach illumination off. The approach illumination preset delay period is 30 seconds. The delay period can be configured to provide illumination lasting between 0 and 240 seconds. See the Owner's Handbook.

# Vehicle Recovery Guide

**Note:** Make sure the smart key is not left inside the vehicle before closing the taildoor. The smart key may not be detected if kept inside a metal container, or shielded by a device with a back-lit LCD screen. For example, a smartphone, laptop, including when inside a bag, or a games console. Also, if the vehicle is in an area of localized Radio Frequency (RF) interference, the smart key may not be detected. If the smart key is not detected inside the vehicle, the vehicle can still be locked. However, the vehicle does not automatically unlock. The vehicle unlocks only with another valid smart key.

4. Taildoor: Press briefly to release the taildoor. If the vehicle is locked and armed, all of the other doors remain closed and the exterior alarm remains armed while the taildoor is open. Intrusion and inclination sensing systems disable until the taildoor is closed again. If the vehicle is already locked and armed, the hazard warning lights flash after a few seconds to confirm that the alarm system has re-armed. An audible tone sounds when the vehicle is double locked.
5. Panic alarm: Press and hold for 3 seconds, or press three times within 3 seconds, to activate the horn and the hazard warning lights. Once active for more than 5 seconds, the alarm can be canceled. Press the button and hold for 3 seconds, or press three times within 3 seconds. The panic alarm also cancels if a valid smart key is present when the **START/STOP** button is pressed.

6. Emergency key blade: Push the release button. See **14, ENGINE START BACKUP**.
7. Emergency key blade: Pull to withdraw the key blade.
8. Door lock cover release: Insert the key blade into the slot at the base of the driver's door lock cover. Gently lever the key blade upward.
9. Door lock cover removal: Apply slight downward pressure to the top of the cover. Then carefully rotate the door lock cover upward, to lever the cover off the securing lugs.  
**Note:** When replacing the door lock cover, locate the top securing lugs first. Press down and inward to locate the bottom lugs. The lugs click into the locked position. Check the security of the cover. An insecure cover is likely to fall off while the vehicle is moving.
10. Emergency unlock: Insert key blade and rotate counter-clockwise to unlock door.
11. Keyless unlock: Exterior door handles detect an open request via movement of the door handle.

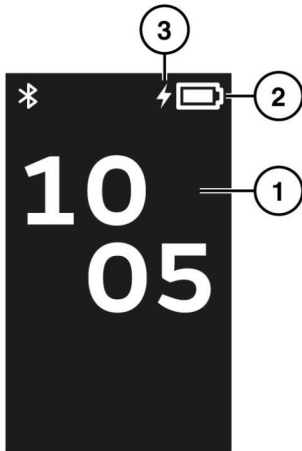
## ACTIVITY KEY

The activity key is a touch screen with wrist strap. It is designed to support situations where the smart key might be obtrusive or difficult to keep secure. The activity key is waterproof to a depth of 131 ft (40 m) and is shockproof. Care should be taken during certain sporting activities, e.g., skiing, jet-skiing or diving to protect the activity key.

The activity key provides full keyless entry and keyless start functionality. See the Owner's Handbook.

While the activity key is worn on the wrist, the smart key can remain inside the vehicle. When the activity key is activated, the vehicle locks, the alarm system arms, and any smart key remaining inside the vehicle is disabled.

**Note:** Make sure any smart keys left in the vehicle are stored out of view.



E257249

## Activity key touch screen use

The home screen displays the current time (1). Press and hold the screen for around 2 seconds to wake the home screen. Swipe downwards to bring up the next menu item. Swipe right to select the current menu item.

The battery charge status is shown in the top right of the screen (2). If the activity key battery charge state drops below 30%, the screen will display a prompt to charge the activity key. The screen will disable if charge drops below 25% to preserve functionality.

**Note:** The activity key's touch screen switches off after 10 seconds if left idle to preserve battery power.

## Recharging the activity key

The charge symbol (3) is displayed when the activity key is being charged. A magnetic USB charge cable is supplied with the Activity Key to enable charging. Replacements are available at retailers or authorized repairers.

## Locking with the activity key

The ignition must be switched off. After exiting the vehicle and closing the last open door, swipe upwards to access the activity key's **Locking** menu. Press the lock symbol to lock the vehicle. The hazard warning lights flash to confirm. If power-fold mirrors are enabled, they will fold in. Touch the home symbol to return to the home screen.

**Note:** If a locking attempt is unsuccessful, an audible alert sounds. Check that all of the doors and the taildoor are closed, and that the ignition is switched off.

**Note:** If the taildoor of a locked vehicle is opened using the smart key, an audible alert may sound when re-closing the taildoor. Should this occur, fully unlock the vehicle before attempting to close the taildoor.

**Note:** When the vehicle is locked with the activity key, any valid smart key remaining inside the vehicle is disabled. Any valid smart key outside the vehicle remains enabled.

# Vehicle Recovery Guide

## Unlocking with the activity key

On returning to the vehicle, swipe upwards to access the activity key's **Locking** menu. Pressing the unlock symbol unlocks and disarms the alarm system. The hazard warning lights flash to confirm. If the power-fold mirrors are enabled, they unfold.

**Note:** When the vehicle is unlocked with the activity key, any valid smart key inside the vehicle re-enables.

## Other activity key functions

The activity key can also be used as follows:

- Select the **Settings** menu to change the activity key displayed time. Select the clock symbol, and adjust the time using the up/down arrows as desired.
- To sound the panic alarm, briefly touch the screen 3 times in quick succession.

**Note:** The panic alarm cannot be canceled during the first 5 seconds of operation. Once this 5 seconds has passed, the panic function on the key will de-activate the panic alarm.

## ENGINE START BACKUP

The engine start backup feature is required to disarm the alarm and start the engine if either of the following occur:

- The vehicle is unlocked using the emergency key blade.
- The smart key is not detected by the vehicle.

The engine start backup feature can only be used when the instrument panel displays **Place Smart Key as shown, and press start button.**



E246822

To carry out the engine start backup procedure:

1. Position the smart key flat against the side of the steering column.  
**Note:** There are markings on the steering column to help locate the correct position.
2. While holding the smart key in position, firmly press the brake pedal.
3. Press and release the engine **START/STOP** button.

Once the engine starts, release the brake pedal, if it is safe to do so.

If the smart key is not recognized, or the engine fails to start, consult a retailer/ authorised repairer.

## INCONTROL REMOTE SMARTPHONE APP

**Note:** The availability and functionality of the **InControl Remote** smartphone app depends on the specification of the vehicle and the market in which the vehicle is being used.

**Note:** For further information, refer to the **InControl** section on the Land Rover website at: [www.landrover.com/incontrol](http://www.landrover.com/incontrol).

In order to use the **InControl Remote** smartphone app features, complete the following steps:

1. Create an **InControl** account. See the Owner's Handbook.
2. Download the **InControl Remote** smartphone app to a smartphone. See the Owner's Handbook.

Available features within the **InControl Remote** smartphone app:

### Vehicle Location

A map display of the vehicle's parked location and the user's current location.

### Vehicle Status

Displays the latest status of vehicle alerts such as a low engine oil level. Each status gives an indication of the health of each alert, as well as offering advice on how to resolve any alerts.

### Beep & Flash

Locates the vehicle by flashing the vehicle's lights and sounding an alert.

**Note:** The driver is responsible for complying with all regulations in force for a specific country, regarding the use of vehicle horns.

### Vehicle Security

Displays the open and closed status of all the doors and windows. **Vehicle Security** also displays the locked and unlocked status of the vehicle.

**Vehicle Security** allows the user to lock and unlock the vehicle remotely. If either lock or unlock cannot be performed, the phone screen displays an error message.

When the vehicle is locked remotely, it is secured to the maximum possible level allowed in the market in which the vehicle was intended for original sale.

**Note:** If any window(s) is in an open position, the vehicle does not lock remotely, unless the window is closed. In some markets, remote closing of the windows is not permitted.

When the vehicle is unlocked remotely, it relocks after 40 seconds if no door or aperture is opened.

**Note:** The driver is responsible for knowing the location of the vehicle and for making sure that the vehicle is secured.

### Remote Climate

**Remote Climate** allows the engine of an automatic transmission vehicle to be started remotely, and to run for up to 30 minutes. The **Remote Climate** feature provides a comfortable temperature inside the cabin in advance of the driver entering the vehicle. Press the **engine start** icon on the **Remote Climate** section of the **InControl Remote** smartphone app. A target temperature can be set.

**Remote Climate** does not function if any of the following conditions exist:

- The vehicle's fuel level is low.
- The vehicle's battery charge level is low.
- The vehicle is not locked and alarmed.

# Vehicle Recovery Guide

- A window, door, hood, or the taildoor is open.
- The engine has been manually started.
- A system error occurs with a required vehicle system.
- A theft has been reported to the stolen vehicle monitoring center.
- The vehicle's alarm is sounding.
- A crash event has been detected.
- The hazard warning lights are switched on.
- The automatic transmission is not in Park (P).
- The brake pedal or accelerator pedal is pressed.

**Note:** Some markets may prohibit the use of remote engine starting. The driver is responsible for knowing if this function can legally be used.

## Journeys

Displays the most recently completed journeys over 1 mile in distance. Providing details of each journey from start to finish.

**Note:** The **Journeys** feature can be enabled or disabled via the **Vehicle Settings** section of the **InControl Remote** smartphone app, or on the My Land Rover InControl website at:

<https://incontrol.landrover.com>.

**Note:** Stored journeys can be viewed, deleted, or exported as a .csv file to assist with business expenses.

## Assistance

Displays vehicle information such as the VIN number. Direct calls can be made to the **Optimized Land Rover Assistance** call center for breakdown assistance. In the event of a vehicle theft, direct calls can be made to the stolen vehicle monitoring call center.

**Note:** All calls are chargeable in accordance to mobile operator prices.

## Vehicle Settings

Provides the user access to specific vehicle settings and journey preferences.

## RUNNING OUT OF FUEL

### **NOTICE**

Avoid running out of fuel. Doing so can cause damage to the vehicle's engine, fuel and emission control systems.

If the vehicle does run out of fuel, a minimum of 1.1 U.S. gallons (4 L) is required to restart the engine. The vehicle should be left with the ignition on for 5 minutes after refueling, before attempting to restart the engine. The vehicle needs to be driven 1 - 3 miles (1.6 - 5 km), in order to reset the engine management and monitoring systems.

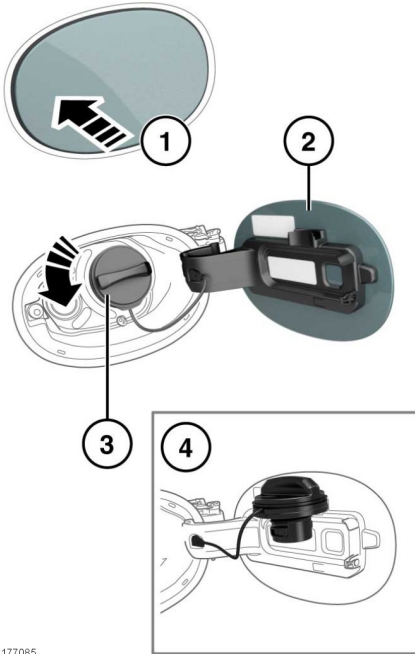
**Note:** If the vehicle does run out of fuel, seeking qualified assistance is advisable.



## FUEL FILLER FLAP

### **⚠**WARNING

Make sure the relevant safety warnings have been read and understood before refueling the vehicle. See the Owner's Handbook.



E177085

The fuel filler flap is located on the right side of the vehicle, at the rear. To operate, proceed as follows:

1. Press and release the rear of the fuel filler flap to unlatch.
2. Pull the flap open. The label on the inside of the flap indicates the correct fuel for the vehicle.
3. Turn the filler cap counter-clockwise to undo.

4. Use the retaining clip to keep the filler cap out of the way while fueling.

When replacing the filler cap, turn it clockwise until the ratchet clicks.

To close the filler flap, push the flap until it is securely latched.

## FUEL FILLER

### **⚠**WARNING

Make sure the relevant safety warnings have been read and understood before refueling the vehicle. See the Owner's Handbook.

### **NOTICE**

Check the fuel pump information carefully, to make sure that the correct fuel is used to refuel the vehicle. Inadequate fuel can reduce engine performance and may cause permanent damage to engine components.

### **NOTICE**

If the vehicle is filled with the incorrect fuel, it is essential to seek qualified assistance before starting the engine. Inadequate fuel can reduce engine performance and may cause permanent damage to engine components.

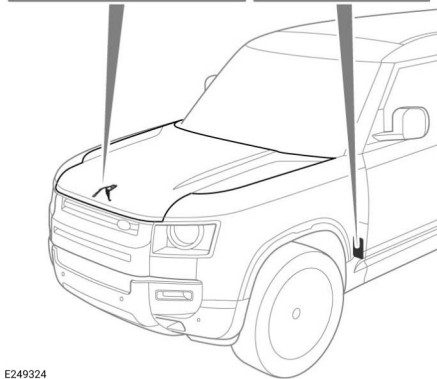
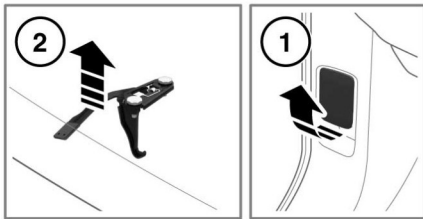
Filling station pumps are equipped with automatic cut-off sensing to avoid fuel spillage. Fill the tank until the filler nozzle automatically cuts off the supply. Do not attempt to fill the tank beyond this point.

# Vehicle Recovery Guide

## OPENING THE HOOD

### **⚠️WARNING**

Before opening the hood, make sure that the ignition is switched off and the smart key is removed from the vehicle. Failure to do so can potentially result in serious injury or death.



E249324

1. Pull the handle, located in the left front footwell.
2. Pull the hood safety catch, located underneath the center of the hood at the front. Raise the hood.

## CLOSING THE HOOD

### **⚠️WARNING**

Before closing the hood, make sure that no-one is obstructing the closing area and that hands and clothes are clear. The closing hood may cause serious injuries.

### **⚠️WARNING**

Do not drive with the hood secured by the safety catch alone. If the hood opens while driving, it may lead to a collision, which may cause serious injuries or death.

### **⚠️WARNING**

When closing the hood, make sure to stand in front of the vehicle. Do not attempt to close the hood while standing at the side of the vehicle. Doing so may result in incorrect latching of the hood, which may cause serious injuries or death.

To close the hood:

1. Using both hands, lower the hood and let it drop from a height of between 8 to 20 in (20 to 50 cm).
2. Try to lift the front edge of the hood, near both corners, to check that it is securely engaged.
3. If the hood lifts slightly, it is not properly latched. Open the hood again, and with a little more force, try again to close it.

## FLUID FILLER LOCATIONS

### **⚠WARNING**

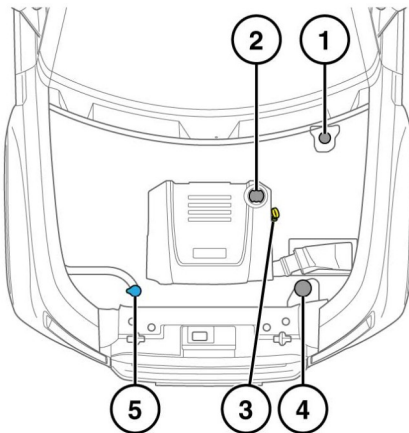
Do not start the engine, or drive the vehicle, if leaked fluid could possibly make contact with a hot surface. Any leaked fluid coming into contact with a hot surface, such as the exhaust, could result in combustion. Seek qualified assistance immediately.

Always observe and follow the safety precautions when working in the engine compartment. Failure to do so may result in serious injury or death.

**Note:** Further information on safety precautions can be found in the relevant section of the Owner's Handbook. See the Owner's Handbook.

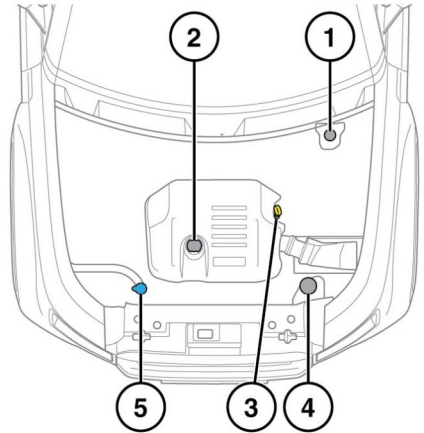
A number of simple checks and routine maintenance must be carried out at regular intervals. See the Owner's Handbook.

### 2.0L gasoline engine



1. Brake fluid reservoir cap.
2. Engine oil filler cap.

3. Engine oil level dipstick.
  4. Engine coolant reservoir filler cap.
  5. Washer fluid reservoir filler cap.
- ### 3.0L in-line 6 cylinder gasoline engine



1. Brake fluid reservoir cap.
2. Engine oil filler cap.
3. Engine oil level dipstick.
4. Engine coolant reservoir filler cap.
5. Washer fluid reservoir filler cap.

## CONNECTING JUMP LEADS

### **⚠WARNING**

Remove all metal jewelry before working on, or near, a battery or boost terminals. Never allow metal objects or vehicle components to come into contact with the battery or boost terminals. Metal objects can cause sparks or short circuits, resulting in an explosion.

# Vehicle Recovery Guide

## **⚠️ WARNING**

Do not allow the battery posts or terminals to come into contact with skin. Battery posts and terminals contain lead and lead compounds which are toxic. Always wash the hands thoroughly after handling the battery.

## **⚠️ WARNING**

Do not expose any battery to an open flame or spark, as the battery produces explosive, flammable gas.

## **⚠️ WARNING**

Do not connect the jump leads to any battery terminal on the vehicle. Doing so can cause a spark, which can result in an explosion. Doing so will also result in damage to the charging system.

## **⚠️ WARNING**

Never jump start (boost), charge, or try to start a vehicle with a frozen battery. Doing so can result in an explosion.

## **⚠️ WARNING**

Rotating parts of the engine can cause serious injury. Take extreme care when working near rotating parts of the engine.

## **⚠️ WARNING**

Before attempting to start the vehicle, make sure that the Electric Parking Brake (EPB) is applied, or suitably chock the wheels. Make sure that Park (P) is selected. Failure to do so may result in accidents causing serious injury or death.

## **⚠️ WARNING**

Suitable eye protection must be worn when working in the area of a battery. Battery acid can cause serious injury to eyes.

## **⚠️ WARNING**

During normal use, batteries emit explosive gas sufficient to cause severe explosions and capable of causing serious injury. Keep sparks and open flames away from the battery.

## **NOTICE**

*Make sure there is no physical contact between the donor and disabled vehicles, other than the jump leads. Failure to do so may cause damage to the vehicle.*

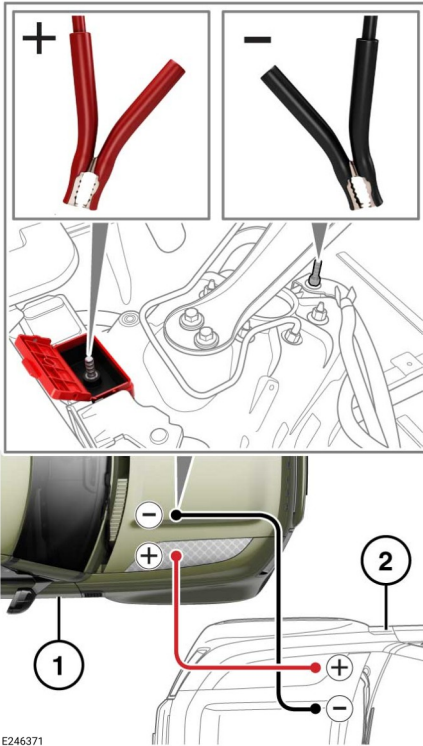
## **NOTICE**

*Make sure that any battery or starting aid is a 12 volt device. Unapproved devices can cause damage to the vehicle.*

## **NOTICE**

*Disconnect the jump leads before operating any electrical equipment. Failure to do so may cause damage to the vehicle.*

**Note:** *Before connecting the jump leads to the disabled vehicle's boost point terminals, make sure the donor vehicle's boost point connections are correct. Also make sure that all electrical equipment has been switched off.*



E246371

1. Disabled vehicle.
2. Donor vehicle.

To connect the jumper cables:

1. Connect the positive (red) jump lead to the recommended positive (+) boost point terminal on the donor vehicle.

**Note:** Refer to the donor vehicle's Owner's Handbook for the recommended positive boost terminal.

2. Connect the other end of the positive (red) jump lead to the positive (+) boost point terminal on the disabled vehicle, as illustrated.

3. Connect the negative (black) jump lead to the recommended negative (-) boost point terminal on the donor vehicle.

**Note:** Refer to the donor vehicle's Owner's Handbook for the recommended negative boost terminal.

4. Connect the other end of the negative (black) jump lead to the negative (-) boost point terminal on the disabled vehicle, as illustrated.

**Note:** Check that all cables are clear of any moving components and that all four connections are secure.

5. Start the engine of the donor vehicle and allow it to idle for a few minutes.
6. Start the engine of the disabled vehicle.

**Note:** Do not switch on any electrical circuits on the disabled vehicle until after the jump leads are removed.

7. Allow both vehicles to idle for 2 minutes.
8. Switch off the donor vehicle.
9. Disconnect the negative (black) jump lead from the previously disabled vehicle.
10. Disconnect the negative (black) jump lead from the donor vehicle.
11. Disconnect the positive (red) jump lead from the previously disabled vehicle.
12. Disconnect the positive (red) jump lead from the donor vehicle.

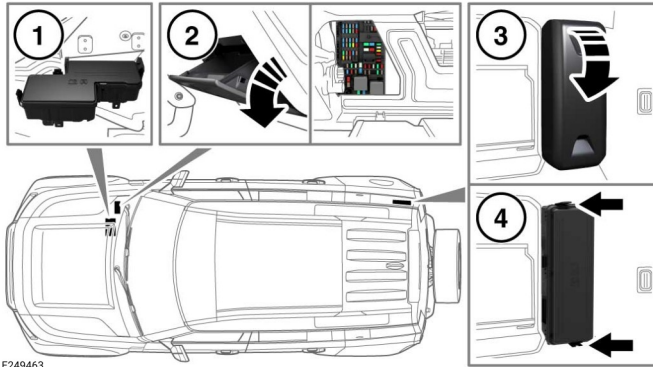
## CONNECTING A STARTING AID

To start the vehicle using a starting aid or a booster battery, carry out the following:

# Vehicle Recovery Guide

1. Connect the positive (red) jump lead to the vehicle's positive (+) boost point terminal.
2. Connect the negative (black) jump lead to the vehicle's negative (-) boost point terminal.
3. Switch on the starting aid.
4. Start the engine and allow it to idle.
5. Disconnect the negative (black) jump lead from the vehicle's boost point terminal.
6. Switch off the starting aid.
7. Disconnect the positive (red) jump lead from the vehicle's boost point terminal.

## FUSE BOX LOCATIONS



### NOTICE

Take care to protect the box from moisture. Refit the fuse box lid at the earliest opportunity.

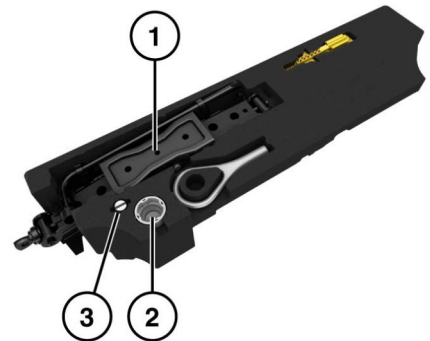
Access the fuses as follows:

1. Engine compartment fuse box: Remove the under-hood cover. See the Owner's Handbook. Release the four clips to remove the fuse box lid.  
**Note:** The fuse box is always located on the passenger's side of the vehicle.
2. Passenger compartment fuse box: Open the glovebox. See the Owner's Handbook. Firmly press the top of the support stay at each end and lower the glovebox into the footwell.  
**Note:** The fuse box label for the passenger compartment fuse box is contained within the load space fuse box.
3. Loadspace fuse box cover: Pull the fuse box cover forwards to release the six clips.
4. Loadspace fuse box: Release the two clips to remove the fuse box lid.

## TOOL KIT

### ⚠ WARNING

Make sure the relevant safety warnings have been read and understood before using the tool kit. See the Owner's Handbook.



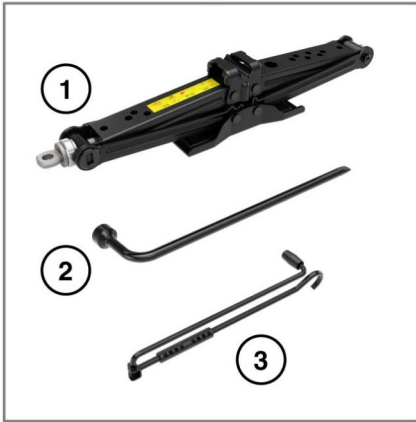
The tool kit is located beneath the loadspace floor panel.

The tool kit consists of the following:

1. Jack assembly.

# Vehicle Recovery Guide

2. Locking lug nut adapter.
3. Spare wheel alignment tool.



E246858

The jack assembly consists of:

1. Jack: Observe the instructions printed on the jack.
2. Lug wrench.
3. Jack handle.

**Note:** Tool types and positions may vary from the illustration.

**Note:** Examine the jack occasionally. Clean and grease the moving parts, particularly the screw thread, to prevent corrosion.

**Note:** Take careful note of the storage position for each tool, as it is important to return the tools to their correct position after use.

## REMOVING THE SPARE WHEEL

Make sure to read and fully understand the following warnings. Failure to comply with the safety instructions may result in an accident, leading to serious injury or death.

### **⚠ WARNING**

Make sure the relevant safety warnings have been read and understood before removing the spare wheel. See the Owner's Handbook.

### **⚠ WARNING**

An open taildoor obscures the rear lights. If available, place a warning triangle at a suitable distance behind the vehicle, facing toward oncoming traffic. See 29, LABEL LOCATIONS.

### **⚠ WARNING**

Do not store the wheel while the vehicle is raised on the jack.

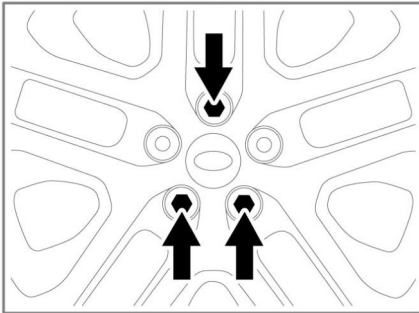
### **⚠ WARNING**

Always secure the spare wheel, or the removed wheel, in the correct position, using the three lug nuts.

**Note:** If in any doubt regarding the ability to remove or secure the spare wheel, seek assistance.

The spare wheel is located on the taildoor. The spare wheel is secured to the vehicle with two locking lug nuts and a third standard lug nut.





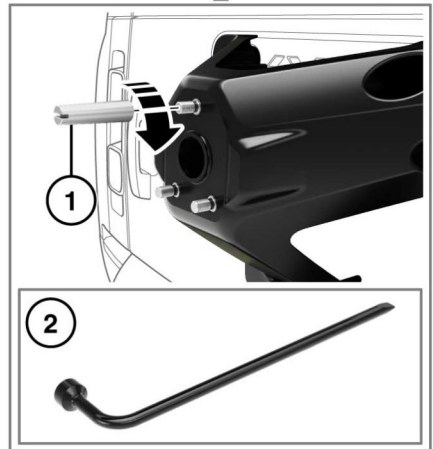
E246859

To remove the spare wheel:

1. Carefully remove the spare wheel's cover.
2. Use the locking lug nut adapter and the lug wrench to remove the two locking lug nuts. See **23, TOOL KIT**.
3. Remove the standard lug nut.

## **⚠ WARNING**

**Make sure that the spare wheel is supported when removing the final lug nut. Failure to do so may result in serious injury or death.**



E253061

A spare wheel alignment tool is supplied in the vehicle's tool kit. See **23, TOOL KIT**. Install the spare wheel alignment tool as shown before storing the spare wheel on the vehicle:

1. Install the spare wheel alignment tool (1) to the spare wheel carrier.
2. Tighten the spare wheel alignment tool using the end of the lug wrench (2).

Reverse the procedure to store the changed wheel. Tighten the spare wheel lug nuts to 103 lb.ft. (140 Nm).

# Vehicle Recovery Guide

## WHEEL CHANGING

Make sure to read and fully understand the following warnings. Failure to comply with the safety instructions could result in an accident, leading to serious injury or death.

### **⚠ WARNING**

Make sure the relevant safety warnings have been read and understood before changing a wheel. See the Owner's Handbook.

### **⚠ WARNING**

Disconnect any trailer or caravan from the vehicle.

### **⚠ WARNING**

The standard vehicle jacking points should be used to raise the vehicle. Do not raise the vehicle by jacking under the fixed side steps, deployable side steps, or side tubes.

### **NOTICE**

Only jack the vehicle using the jacking points described, or damage to the vehicle could occur.

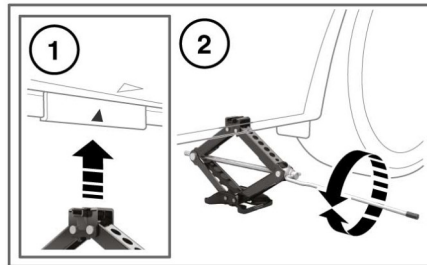
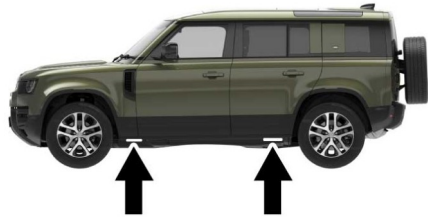
**Note:** To allow easier access to the vehicle jacking points, it is recommended that the deployable side steps are in the stored position. See the Owner's Handbook.

**Note:** Vehicles fitted with deployable side steps: Select off-road height before jacking the vehicle. See the Owner's Handbook.

Before raising the vehicle:

1. Remove the required tools from the vehicle. See **23, TOOL KIT**.
2. Remove the spare wheel. See **24, REMOVING THE SPARE WHEEL**.

3. Correctly position the wheel chocks. See the Owner's Handbook.



E246861

To change a wheel:

1. Use the lug wrench to loosen the lug nuts of the wheel to be replaced. Turn half a turn counter-clockwise.
2. Locate the jack under the relevant jacking point (1).

### **NOTICE**

Do not allow the jack to contact the sill at any other point, as damage may result.

3. Unfold the handle from the stored position on the jack. Fit the lug wrench to the end of the cranking handle.
4. Rotate the handle clockwise (2) to raise the jack, until the jack pin locates into the jacking point.
5. Raise the vehicle until the wheel is clear of the ground.

## **⚠ WARNING**

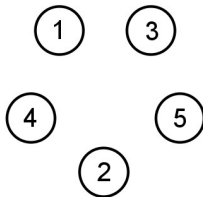
**Avoid rapid, jerky actions. Rapid, jerky actions may cause the vehicle and jack to become unstable, which may result in an accident, leading to serious injury or death.**

6. Remove the lug nuts. Place the lug nuts together where they cannot roll away.
7. Remove the wheel and place it to one side.

## **NOTICE**

*Do not lay the wheel on its face, as this may damage the finish.*

8. Fit the spare wheel to the hub.
9. Refit the lug nuts. Lightly tighten the lug nuts. Make sure the wheel is making contact with the hub evenly.
10. Make sure the area under the vehicle is clear of obstructions. Lower the vehicle slowly and smoothly.
11. With all of the wheels on the ground and the jack removed, fully tighten the lug nuts. Tighten the lug nuts, in the sequence shown in the illustration, to the correct torque of 103 lb.ft (140 Nm).



E132675

**Note:** *If it is not possible to torque the lug nuts when a wheel is replaced, set to the correct torque as soon as possible.*

If a spare wheel is to be fitted, use a suitable blunt tool to knock the center cap out of the removed wheel. Use hand pressure only to press the center cap into the newly fitted spare.

Check and adjust the tire pressure as soon as possible.

## **FRONT TOWING EYE**

### **⚠ WARNING**

**The front towing eye is designed for on-road recovery only. If the towing eye is used for any other purpose, it may result in vehicle damage and can cause serious injury or death.**

### **⚠ WARNING**

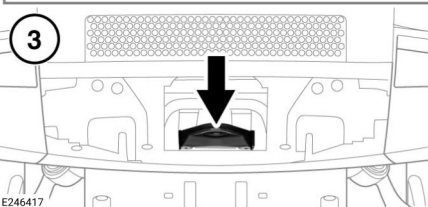
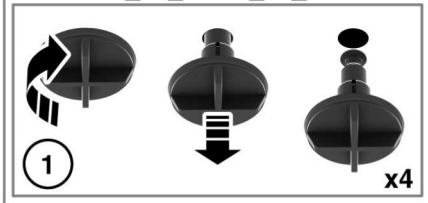
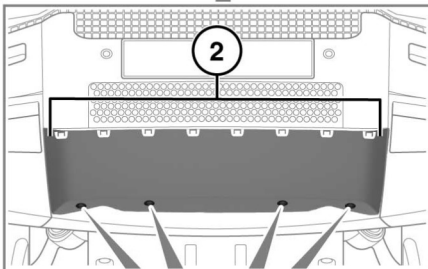
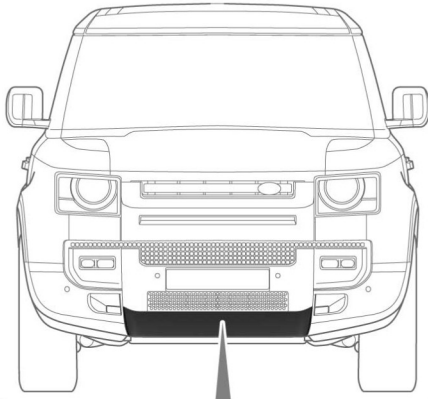
**Use extreme caution when moving or towing the vehicle. Death or serious injury may occur.**

### **NOTICE**

*Remove the front towing eye cover before driving off-road, to prevent damage or loss. The cover must be replaced before driving on the road.*

The front towing eye is located behind a removable cover in the front bumper.

# Vehicle Recovery Guide



E246417

To remove the cover:

1. Rotate each of the fasteners 90 degrees counter-clockwise with a coin or similar.

2. Pull the cover forward from the rear lower edge to release the lower tabs and the lugs on the top edge of the cover.
3. The towing eye is located in the center of the exposed area.

To refit the cover:

1. Offer up the cover. Make sure the lugs at the top edge and the tabs in the bottom edge engage with the holes in the bumper.
2. Rotate each of the fasteners 90 degrees clockwise to secure the cover in position.

## REAR TOWING EYE

### **⚠ WARNING**

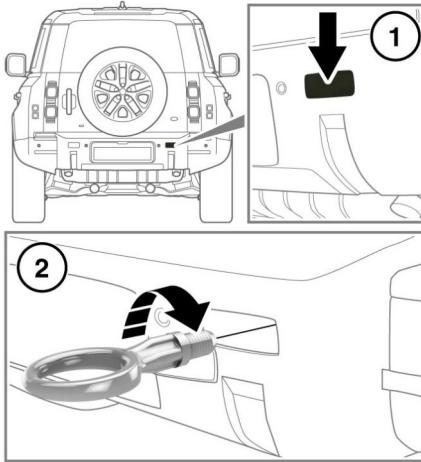
The rear towing eyes are designed for on-road recovery only. If the towing eyes are used for any other purpose, it may result in vehicle damage and can cause serious injury or death.

### **⚠ WARNING**

Use extreme caution when moving or towing the vehicle. Death or serious injury may occur.

*Note: The rear towing eyes may be used to tow another vehicle, if required.*

## Vehicles without exposed towing eyes



E246418

The vehicle's rear towing eye socket is located behind the rear bumper cover. To remove the cover, lever the left-hand side of the cover outward from the bumper **1**.

The vehicle's rear towing eye is located underneath the luggage floor. Screw the towing eye into the aperture located behind the rear bumper cover **2**.

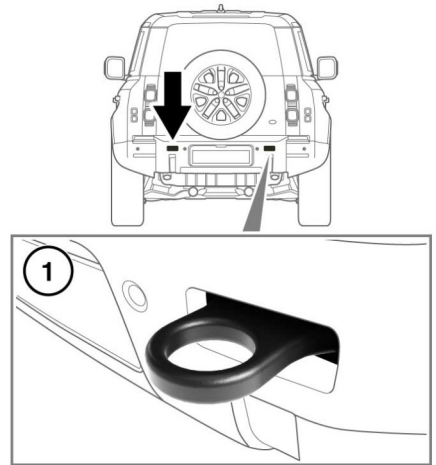
To refit the cover, push the right-hand side of the cover home first. Then push the left-hand side of the cover to be flush with the bumper.

## Vehicles with exposed towing eyes

### **NOTICE**

*Avoid leaving towing equipment attached to the rear towing eyes when not in use. Some towing equipment may damage the vehicle's paintwork.*

Vehicles with exposed towing eyes have a pair of towing eyes protruding through the rear bumper cover **1**.



E249092

## LABEL LOCATIONS

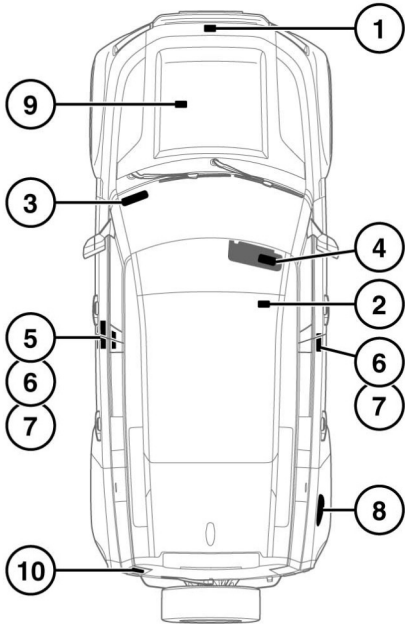


Warning labels attached to the vehicle bearing this symbol mean: Do not touch or adjust components until having read the relevant instructions in the handbook.



Labels showing this symbol indicate that the ignition system utilises very high voltages. Do not touch any ignition components while the ignition is switched on.

# Vehicle Recovery Guide



E248496

1. Hood locking platform: Air Conditioning (A/C) label.
2. Top of the battery: Battery warning symbols.
3. The Vehicle Identification Number (VIN) is stamped onto a plate, visible through the lowest part of the right side of the windshield. The number is also stamped into the right-side suspension tower.

**Note:** The VIN number may be requested by the retailer/authorized repairer.

**Note:** The vehicle's built date is shown on the VIN plate. The built-date is the calendar month and year in which the body and powertrain assemblies were conjoined and the vehicle was driven from the production line. The vehicle's built-date is also shown on the tire pressure label, attached to the right-side B pillar.

4. Passenger side sun visor: Air bag label, vehicle handling label.
5. B pillar: VIN number.
6. B pillar or inside base of the front door: Tire pressure labels.
7. B pillar: Air bag warning label.
8. Inside the fuel filler flap: Fuel label.
9. Engine number: Inlet manifold.
10. Rear taildoor warning information.

It is important to be familiar with these subjects, to make sure that the vehicle and its features are used safely.