

PUBLISHED: 16-SEP-2019
2020.0 DEFENDER (LE), 205-03

FRONT DRIVE AXLE/DIFFERENTIAL

DIFFERENTIAL (G2414865)

REMOVAL AND INSTALLATION

GENERAL EQUIPMENT

| EQUIPMENT NAME |
|-------------------|
| Transmission jack |

PART(S)

| STEP | PART NAME | QUANTITY |
|----------------------|--|----------|
| Installation Step 4 | Differential case bracket bolts | 3 |
| Installation Step 12 | Lower steering column to steering gear bolts | 1 |

REMOVAL

CAUTION:

Before disconnecting any components, make sure the area is clean and free from foreign material. When disconnected all openings must be sealed.

NOTE:

- This procedure contains illustrations showing certain components removed to provide extra clarity.
- This procedure contains some variation in the illustrations depending on the vehicle specification, but the essential information is always correct.

1. Raise and support the vehicle on a suitable 2 post lift.
Refer to: [Jacking and Lifting](#) (100-02 Jacking and Lifting, Description and Operation).

2. Drain the differential.
Refer to: [Differential Draining and Filling](#) (205-02 Rear Drive Axle/Differential, General Procedures).

3. Remove the front driveshaft.
Refer to: [Front Driveshaft](#) (205-01 Driveshaft, Removal and Installation).

4. Remove the front left halfshaft.
Refer to: [Front Left Halfshaft](#) (205-04 Front Drive Halfshafts, Removal and Installation).

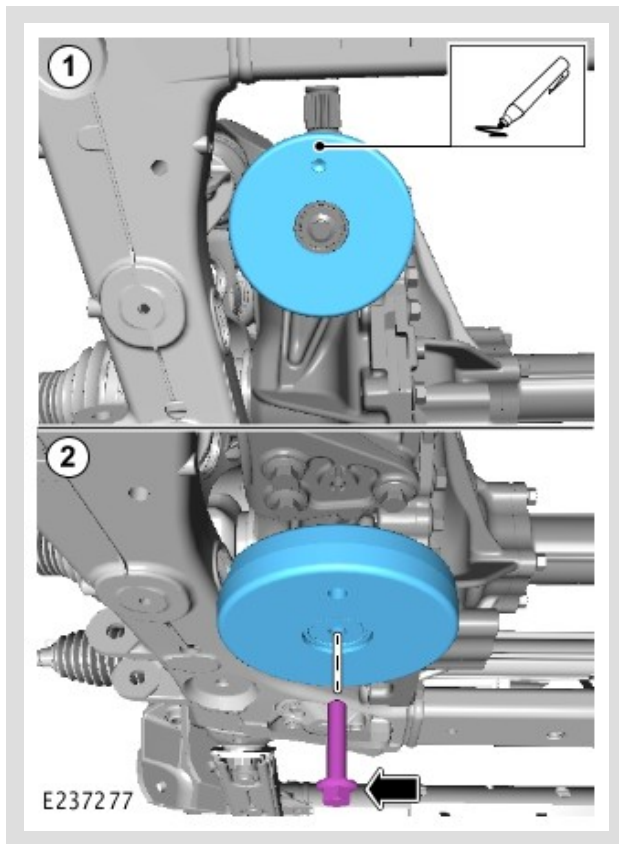
5. Remove the right halfshaft.

Refer to: [Front Right Halfshaft](#) (205-04 Front Drive Halfshafts, Removal and Installation).

6. Remove the halfshaft support bracket.

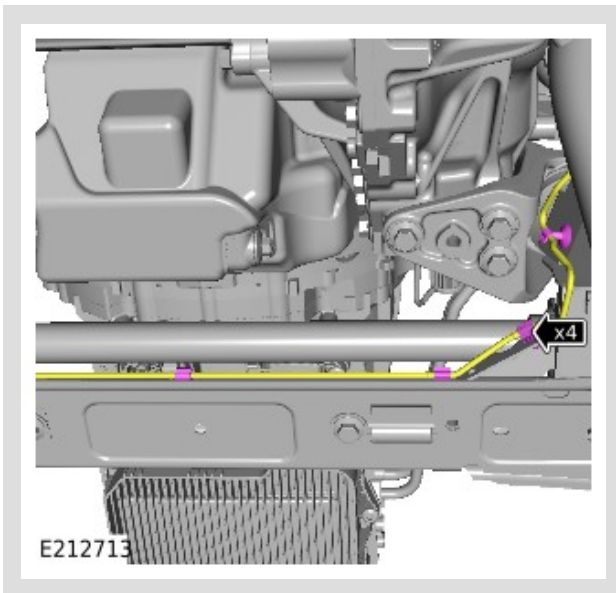
Refer to: [Halfshaft Support Bracket](#) (205-04 Front Drive Halfshafts, Removal and Installation).

7.



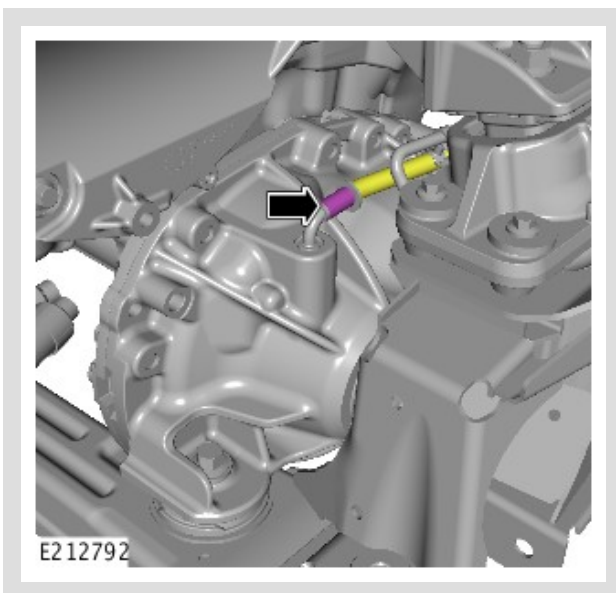
- Mark the installed position of the Noise, Vibration and Harshness (NVH) damper.
- Remove the bolt.
- Remove the NVH damper.

8.




Release the vacuum pipe from the 4 clips.

9.

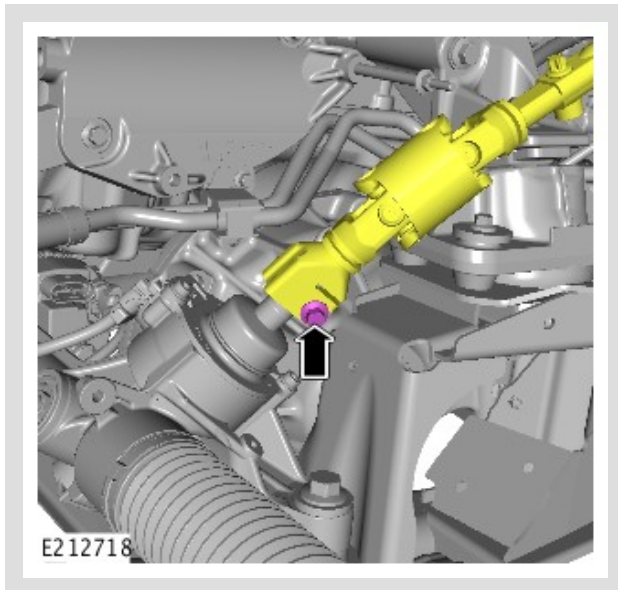


Disconnect the breather pipe.

10.

 NOTE:

Left hand drive vehicles.

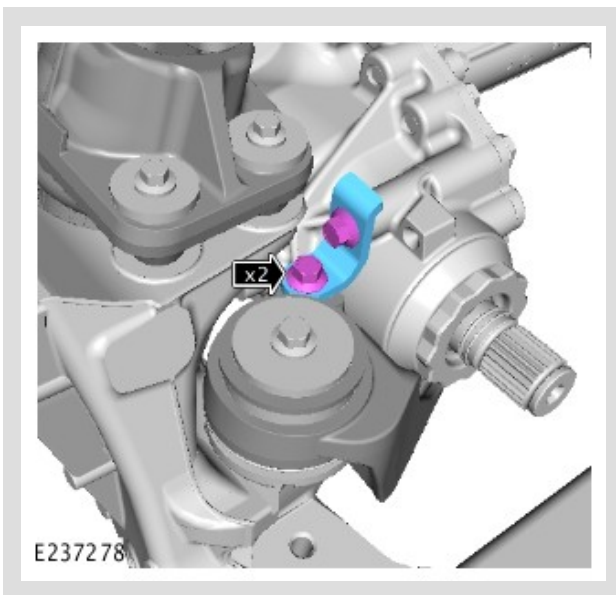


- Align the steering wheel to the straight ahead position.
- Remove and discard the steering column lower shaft bolt.
- Reposition the steering column lower shaft away from the steering gear.

11. Use a suitable jack to support the differential.

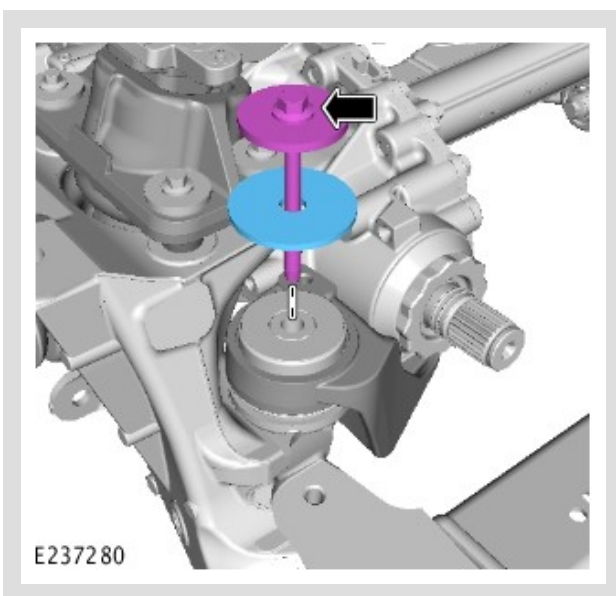
General Equipment: [Transmission jack](#)

12.



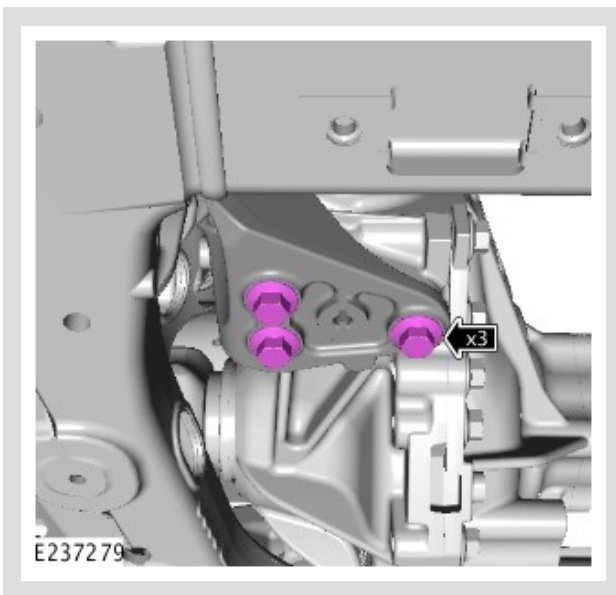
- Remove the 2 bolts.
- Remove the differential upper support bracket.

13.



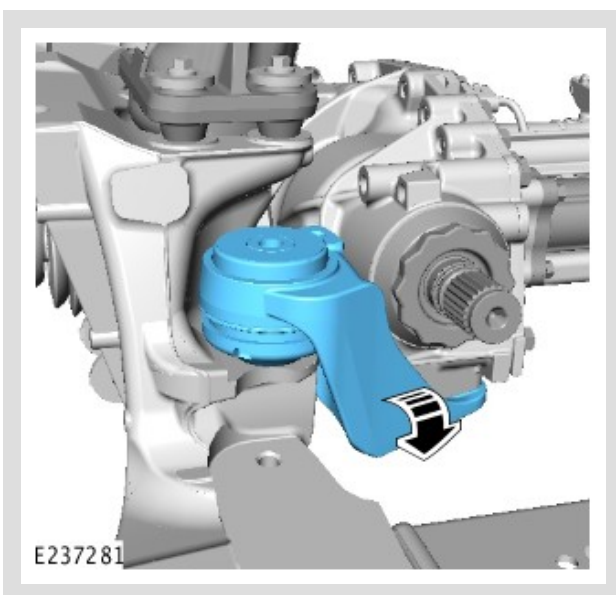
- Remove the upper differential support bracket bolt.
- Remove the washer.

14.




Remove and discard the 3 lower differential support bracket bolts.

15.

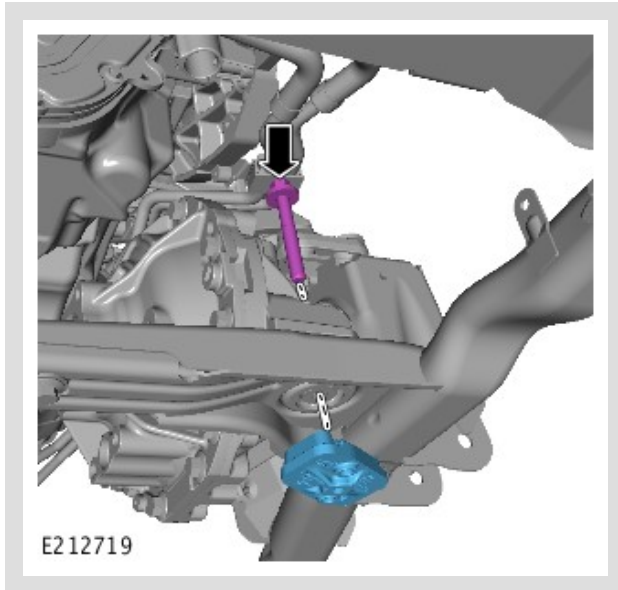


Remove the differential support bracket.

16.

 **NOTE:**

Note the orientation of the component prior to removal.

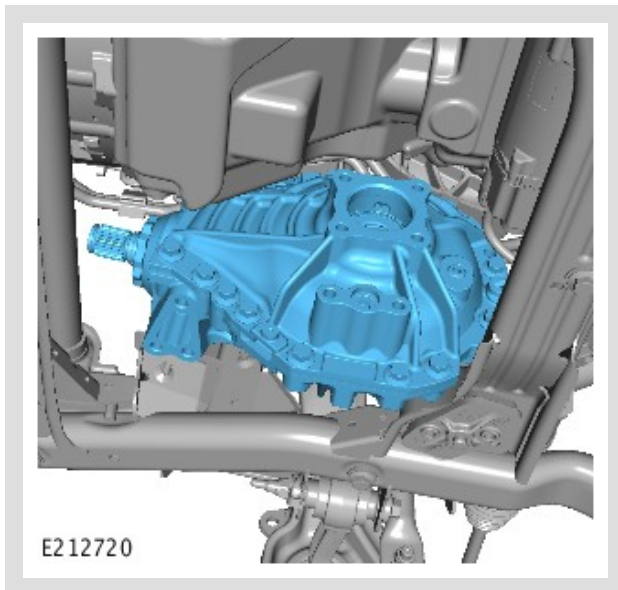


Remove the differential front bolt and NVH damper.

17.

 **WARNING:**

This step requires the aid of another technician.



Remove the front differential.

INSTALLATION

1.

WARNING:

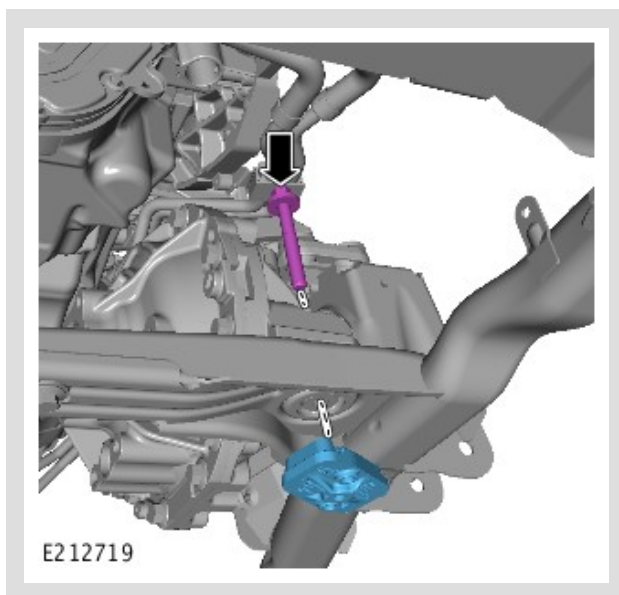
This step requires the aid of another technician.

Install the front differential.

2.

CAUTION:

Make sure the mount is installed in the correct orientation.

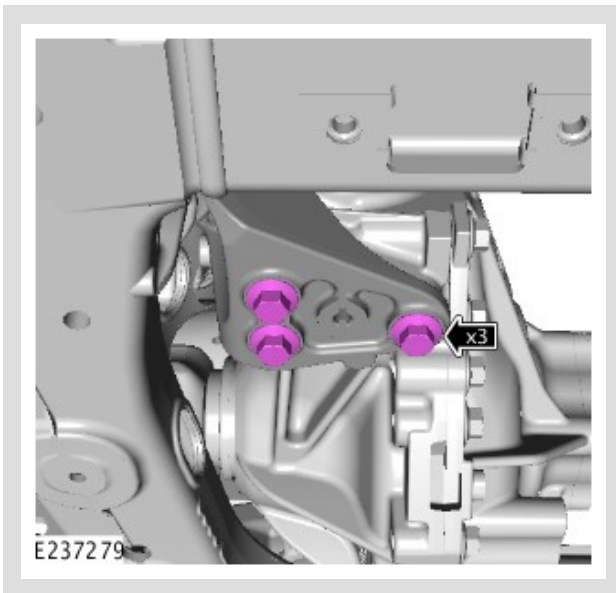


- Install the differential front Noise, Vibration and Harness (NVH) damper.
- Install, but do not fully tighten the differential front bolt.

3.

Install the differential support bracket.

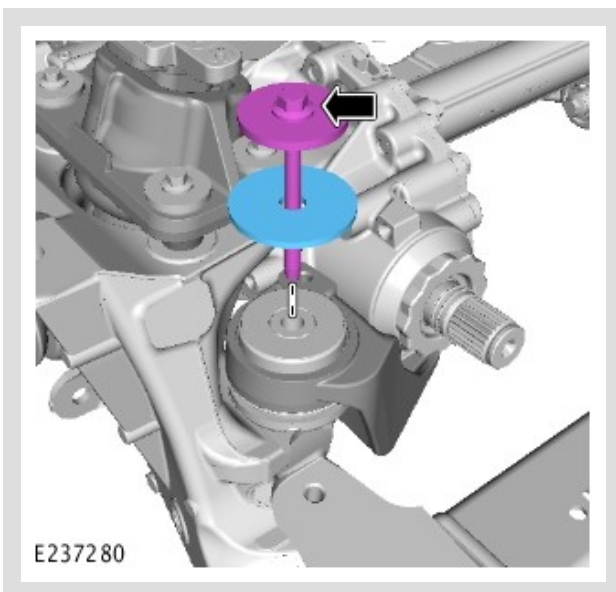
4.



Install, but do not fully tighten the 3 new lower differential support bracket bolts.

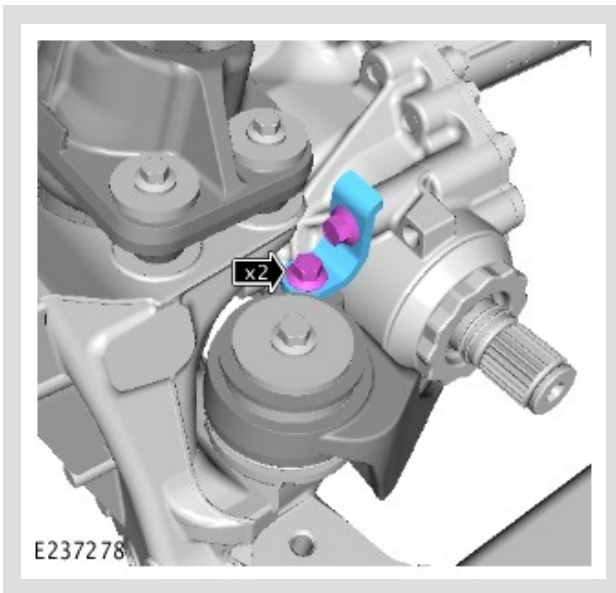
Renew Part: *Differential case bracket bolts* Quantity: 3.

5.



- Install the washer.
- Install, but do not fully tighten the upper differential support bracket bolt.

6.



- Install the differential upper support bracket.
- Install, but do not fully tight the 2 differential upper support bracket bolts.

7. Fully tighten the 3 lower differential support bracket bolts.

Torque: 90Nm

8. Fully tighten the 2 differential upper support bracket bolts.

Torque: 25Nm

9. Fully tighten the upper differential support bracket bolt.

Torque: 60Nm

10. Fully tighten the differential front bolt.

Torque: 110Nm

11. Remove the transmission jack.

General Equipment: [Transmission jack](#)

12.

 **NOTE:**

Left hand drive vehicles.

- Position the steering column in the correct location.
- Install and tighten the new bolt.
Renew Part: [Lower steering column to steering gear bolts](#) Quantity: 1.
Torque: 30Nm

13. Connect the breather.

14. Install the vacuum pipe to the 3 clips.

-
- 15.
- Install the NVH damper in the correct location.
 - Install and tighten the bolt.
Torque: 60Nm

16. Install the halfshaft support bracket.

Refer to: [Halfshaft Support Bracket](#) (205-04 Front Drive Halfshafts, Removal and Installation).

17. Install the right halfshaft.

Refer to: [Front Right Halfshaft](#) (205-04 Front Drive Halfshafts, Removal and Installation).

18. Install the front left halfshaft.

Refer to: [Front Left Halfshaft](#) (205-04 Front Drive Halfshafts, Removal and Installation).

19. Install the front driveshaft.

Refer to: [Front Driveshaft](#) (205-01 Driveshaft, Removal and Installation).

20. Fill the differential.

Refer to: [Differential Draining and Filling](#) (205-02 Rear Drive Axle/Differential, General Procedures).