

ENGINE COOLING - INGENIUM I6 3.0L PETROL

# ELECTRIC THERMOSTAT (G2417045)

## REMOVAL AND INSTALLATION

26.45.22	ELECTRIC THERMOSTAT	2000 CC, INGENIUM DIESEL	1.40	USED WITHINS
----------	---------------------	--------------------------	------	--------------

### PART(S)

STEP	PART NAME	QUANTITY
Installation Step 1	Thermostat housing seal(s)	1

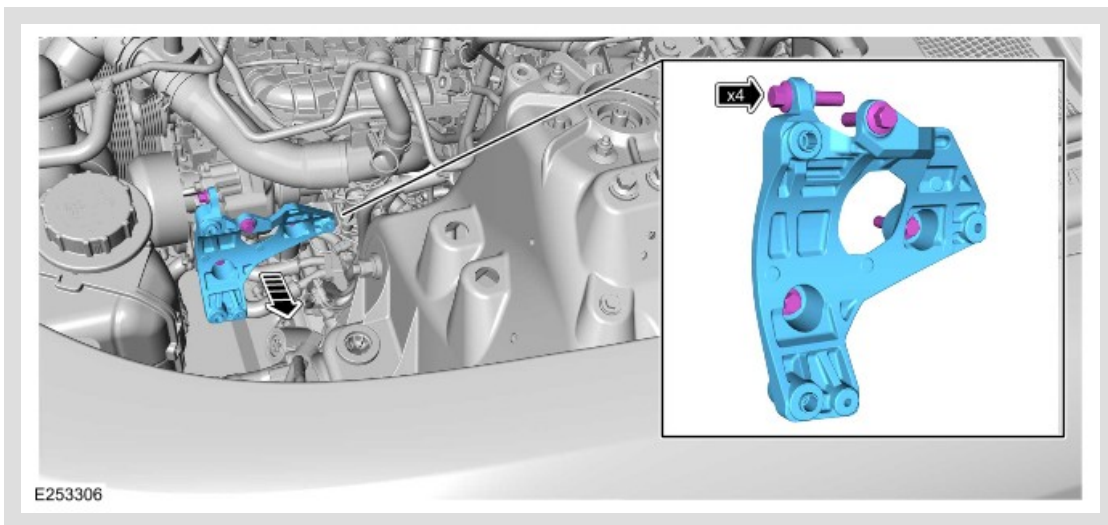
## REMOVAL

### NOTES:

- This procedure contains some variation in the illustrations depending on the vehicle specification, but the essential information is always correct.
- This procedure contains illustrations showing certain components removed to provide extra clarity.

1. Disconnect the startup battery ground cable.  
Refer to: [Startup Battery Disconnect and Connect](#) (414-00 Battery and Charging System - General Information, General Procedures).
2. Raise and support the vehicle on a suitable 2-post lift.  
Refer to: [Jacking and Lifting](#) (100-02 Jacking and Lifting, Description and Operation).
3. Partially drain the engine cooling system.  
Refer to: [Cooling System Partial Draining and Vacuum Filling](#) (303-03C Engine Cooling - INGENIUM I6 3.0 L Petrol, General Procedures).
4. Remove the Air Conditioning (A/C) compressor.  
Refer to: [Air Conditioning Compressor - INGENIUM I6 3.0L Petrol](#) (412-01 Climate Control, Removal and Installation).

5.

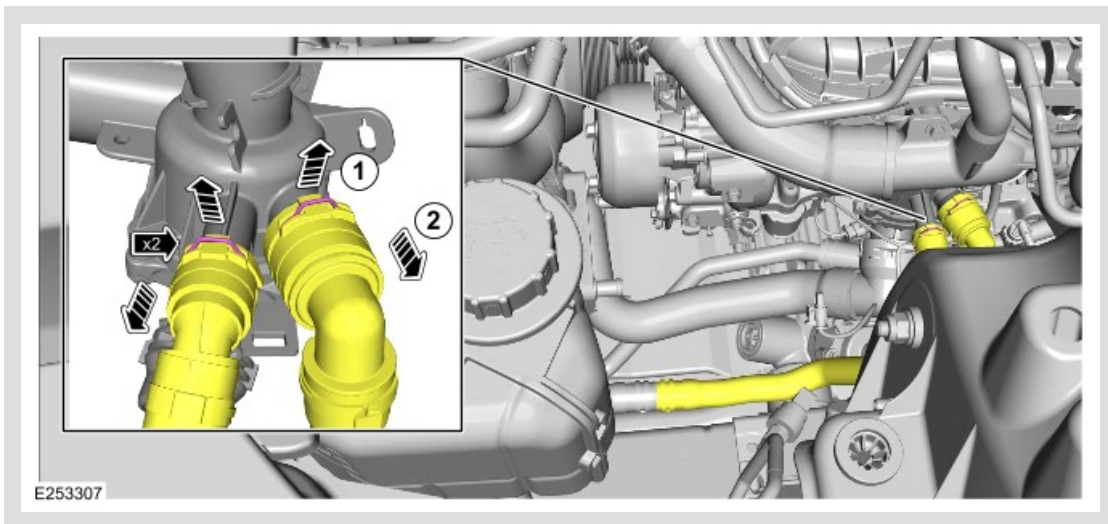


- Remove the 4 bolts.
- Remove the A/C compressor bracket.

6.

**⚠ CAUTION:**

Be prepared to collect escaping coolant.

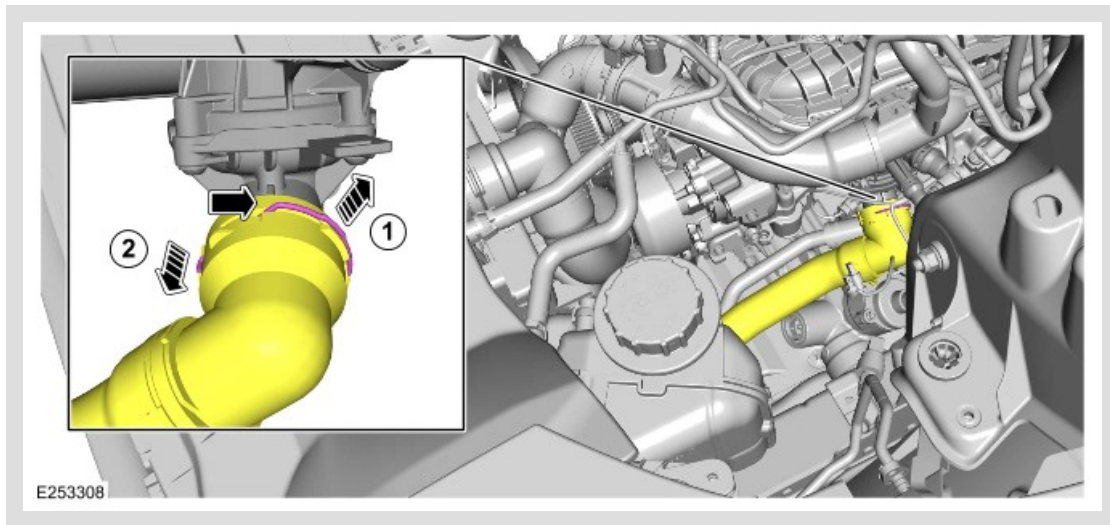


1. Release the 2 clips.
2. Disconnect and position aside the engine coolant 2 side hoses.

7.

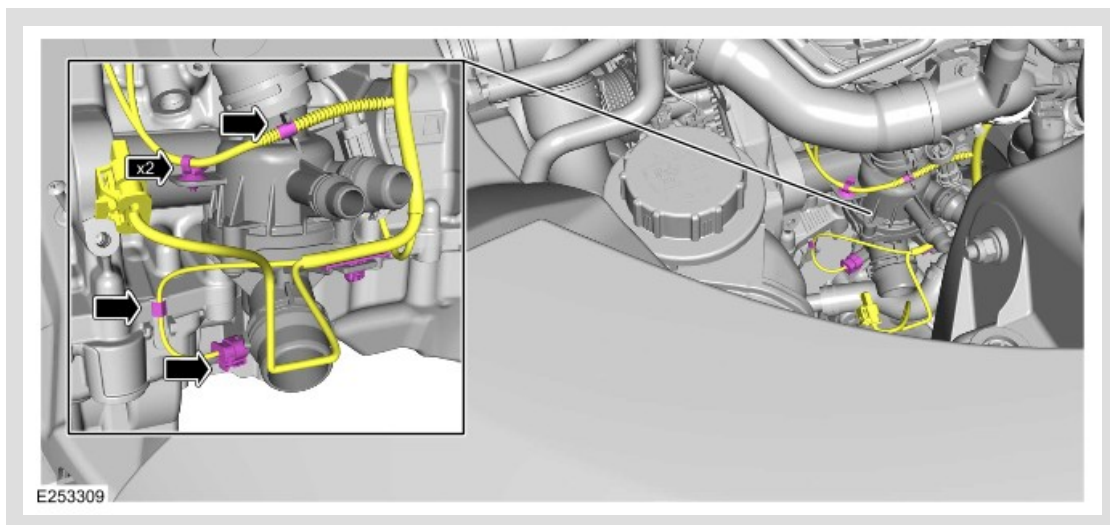
**⚠ CAUTION:**

Be prepared to collect escaping coolant.



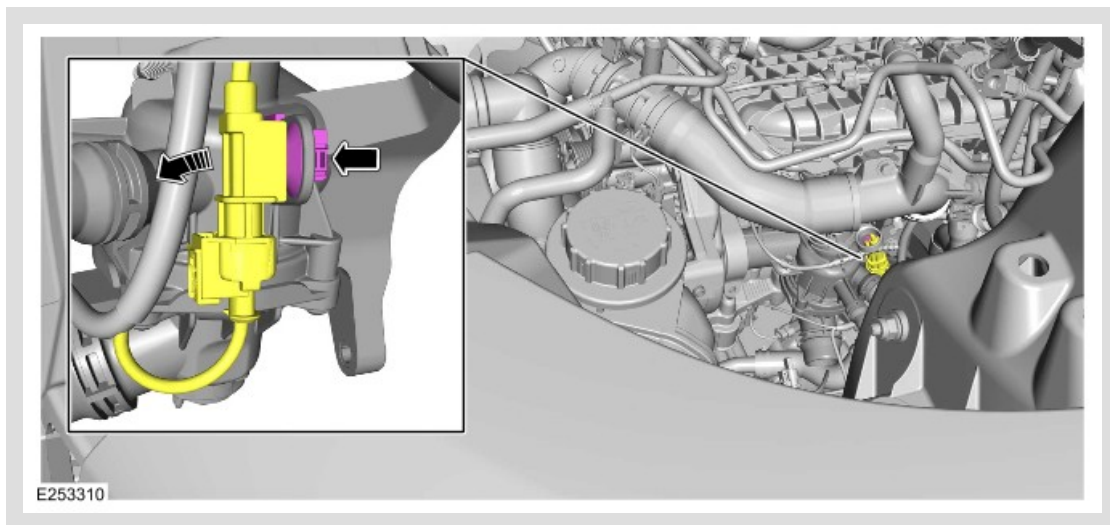
1. Release the clip.
2. Disconnect and position aside the engine coolant lower hose.

8.



- Disconnect the electrical connector.
- Release the wiring harness from the 4 clips.

9.

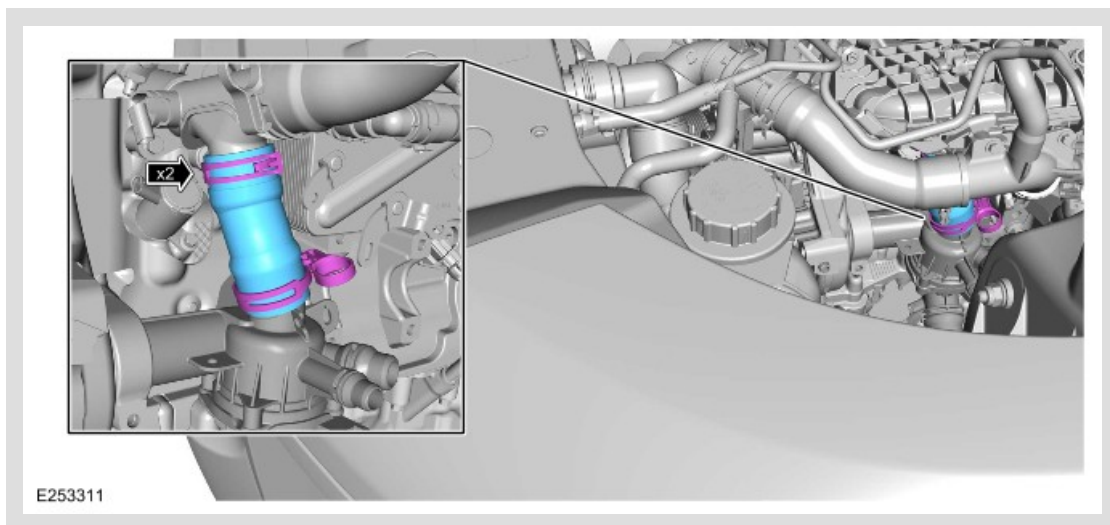


Release the electrical connector.

10.

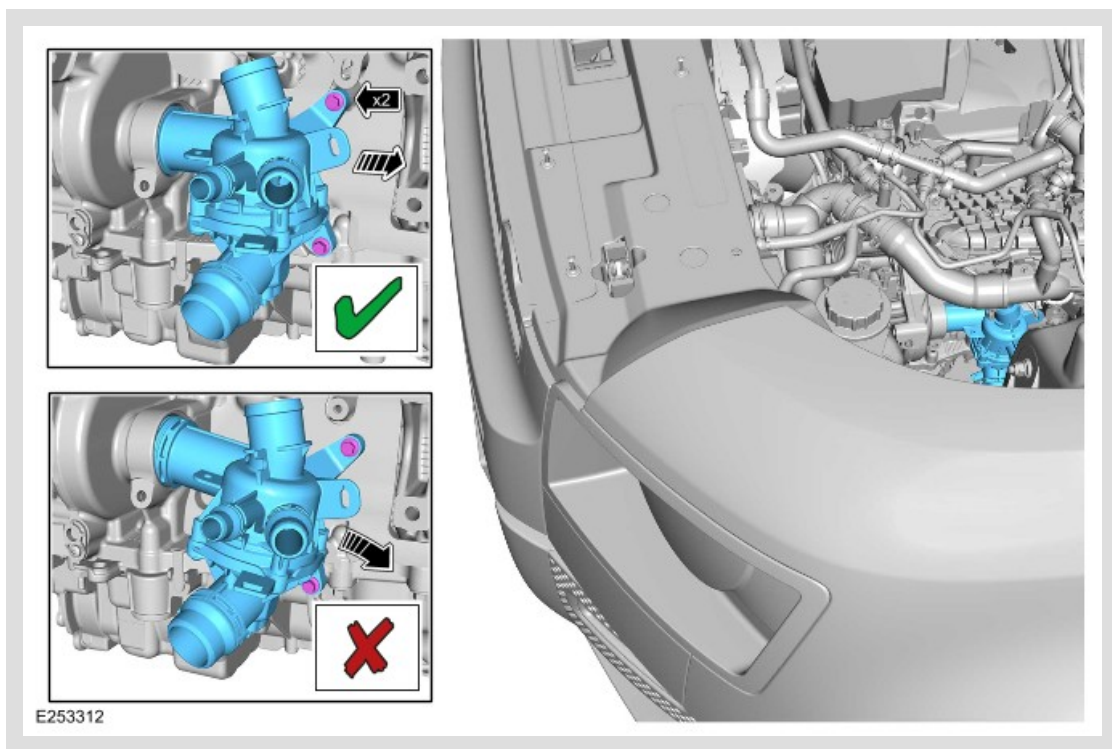
**⚠ CAUTION:**

Be prepared to collect escaping coolant.



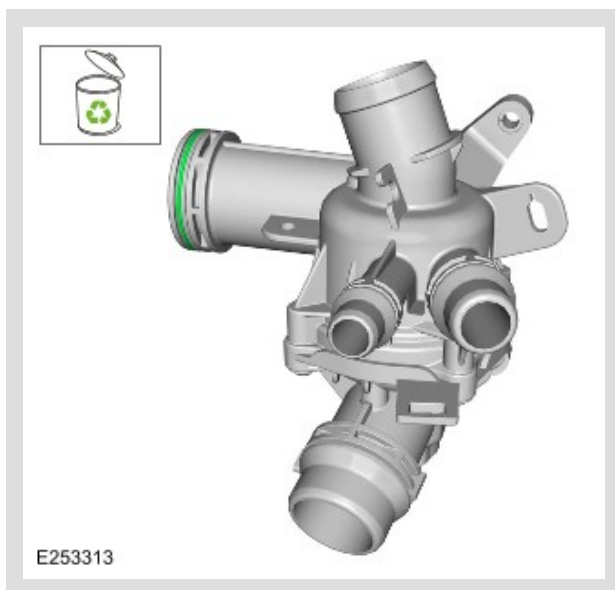
- Release the 2 clamps.
- Remove the engine coolant upper hose.

11.



- Remove the 2 bolts.
- Remove the electric thermostat as illustrated.

12.



Remove and discard the O-ring seal.

## INSTALLATION

1.

- Install the new O-ring seal.  
*Renew Part: [Thermostat housing seal\(s\)](#) Quantity: 1.*
- Install the electric thermostat.
- Install and tighten the 2 bolts.  
*Torque: 12Nm*

2.

- Install the engine coolant upper hose.
- Secure the 2 clips.

3.

 **CAUTION:**

Make sure that the clip is correctly located.

Connect the engine coolant lower hose to the electric thermostat.

4.

 **CAUTION:**

Make sure that the clips are correctly located.

Connect the engine coolant 2 side hoses to the electric thermostat.

5.

Secure the electrical connector to the electric thermostat.

6.

- Secure the wiring harness at the 4 clips.
- Connect the electrical connector to the electric thermostat.

7.

- Install the A/C compressor bracket.
- Install and tighten the 4 bolts.  
*Torque: 25Nm*

8.

Install the A/C compressor.

Refer to: [Air Conditioning Compressor - INGENIUM I6 3.0L Petrol](#) (412-01 Climate Control, Removal and Installation).

9.

Fill the engine cooling system with the correct amount of engine coolant.

Refer to: [Cooling System Partial Draining and Vacuum Filling](#) (303-03C Engine Cooling - INGENIUM I6 3.0 L Petrol, General Procedures).

---

10. Connect the startup battery ground cable.

Refer to: [Startup Battery Disconnect and Connect](#) (414-00 Battery and Charging System - General Information, General Procedures).

cmjjaGFyZG1vazRvbjyMDIwLTA5LTI1VDE00JEyOjA2LjY2MVo7OTAuMTk5LjEyMS4xMTc7U0FMRUE3QU40TDIwMDgwMzA=