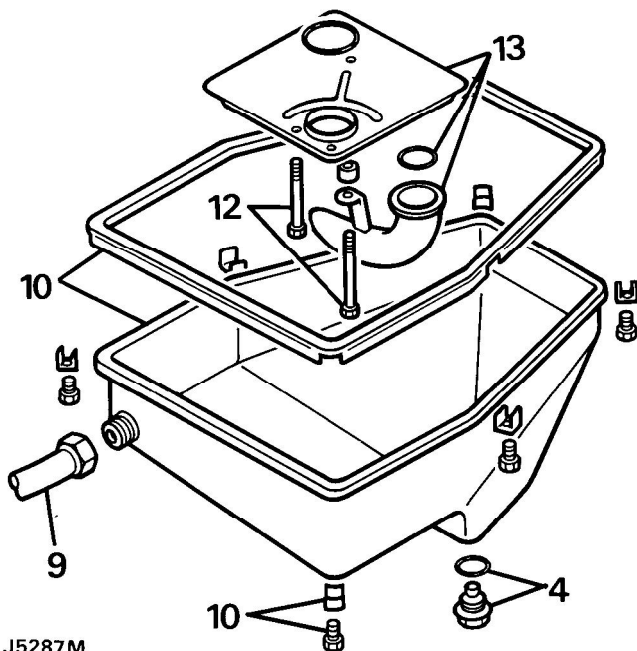


OIL SCREEN

Service repair no - 44.24.07

Renew

1. Site vehicle on a four post ramp [hoist].
2. Disconnect battery negative lead.
3. Raise vehicle.
4. Drain oil and refit plug with new seal.
5. Detach heat shield at front exhaust pipe to manifold.
6. Disconnect electrics from Lambda sensors.
7. Remove catalytic converter assembly.
8. Remove chassis cross-member from under gearbox.



9. Disconnect dipstick tube at oil sump. Loosen securing bolt at bell housing and move dipstick aside.
10. Remove clamps securing oil sump. Note their locations for refit and withdraw sump.
11. Remove gasket and clean gasket mating faces.
12. Remove securing screws and detach oil screen and suction pipe, taking care to retain suction pipe spacer, discard 'O' ring seal.

13. Detach suction pipe from oil screen, discard 'O' ring seal.
14. Clean oil screen and blow out with airline.
15. Clean suction pipe.
16. Fit new 'O' ring seals to oil screen using light grease to aid assembly.
17. Fit oil screen and suction pipe with spacer and secure with three bolts.
18. Refit oil sump using a new gasket.
19. Connect dipstick tube to oil sump and tighten bolt at bell housing.
20. Refit chassis cross-member.
21. Refit catalytic converter assembly
22. Connect electrics to Lambda sensors.
23. Connect heat shield front pipe to manifold.
24. Connect battery.
25. Refill gearbox oil system using correct grade of oil. **See LUBRICANTS, FLUIDS AND CAPACITIES, Information, Recommended Lubricants and Fluids**