

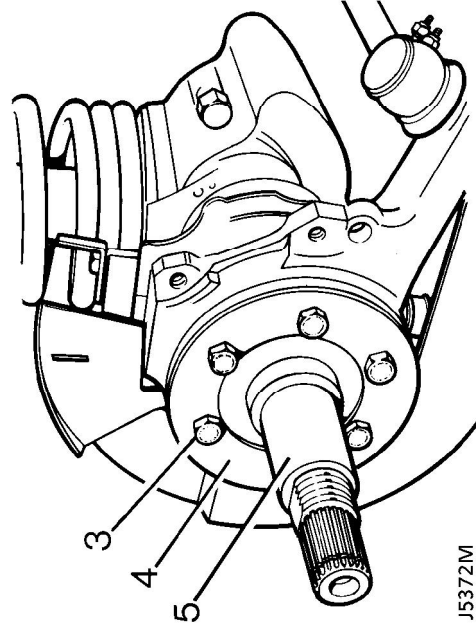


**FRONT STUB AXLE, CONSTANT VELOCITY JOINT AND SWIVEL PIN HOUSING NON ABS**

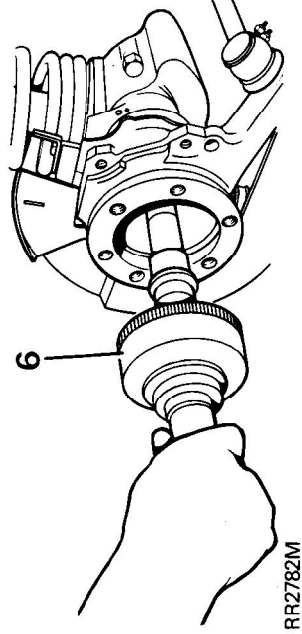
Service repair no - 60.15.43.

Remove stub axle, axle shaft and constant velocity joint.

1. Remove front hub assembly. *See Repair, Front Hub Assembly*
2. Drain swivel pin housing and refit plug.
3. Remove six bolts retaining stub axle to swivel housing.
4. Remove mud shield.
5. Remove stub axle and joint washer.

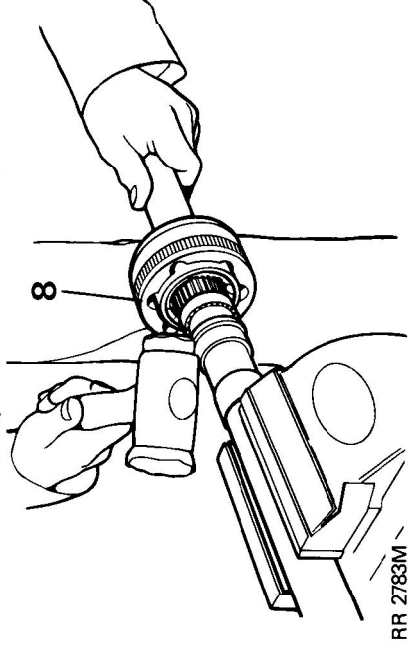


6. Pull out axle shaft and constant velocity joint from axle casing.



Remove constant velocity joint from axle shaft

7. Hold axle shaft firmly in a soft jawed vice.
8. Using a soft mallet drive constant velocity joint from shaft.
9. Remove circlip and collar from axle shaft.



Constant velocity joint

10. Mark positions of constant velocity joint, inner and outer race and cage for reassembly.
11. Swivel cage and inner race to remove balls.

