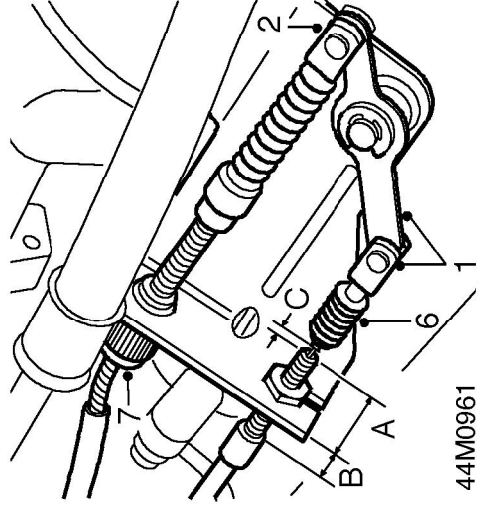




KICKDOWN CABLE ADJUSTMENT



44M0961

1. Remove split pin, withdraw clevis pin and disconnect kickdown cable from lever.
2. Remove split pin, withdraw clevis pin and disconnect throttle cable from lever.
3. Adjust the position of the kickdown cable locknuts so that dimension 'A' is 28 mm. With cable held in this position, there should be 6 threads exposed to the rear of the bracket, (dimension 'B').
4. Tighten both locknuts Connect the kickdown cable to the lever and secure with clevis pin and split pin.
5. Connect the throttle cable to the lever and secure with clevis pin and split pin.
6. Pull back the rubber boot on the kickdown cable until the crimped nipple is visible.
7. Rotate the knurled plug on the throttle cable until the crimped nipple is 1 mm from the end of the threads, (dimension 'C').
8. Refit the rubber boot.