



Refit

9. If removed fit the mounting plate to the actuator.
10. Engage the actuator operating rod with hooked end of the actuator link.
11. Fit the actuator and mounting plate to the door and loosely secure with the four screws.
12. Set the mounting plate with the screws in the centre of the slotted holes, then tighten the screws.
13. Connect the actuator lead to the door harness.
14. Reconnect battery negative lead.
15. With the sill locking button held in position, set the bellcrank to approximately the position it would be in if the sill button was depressed to half of its total movement.
16. At this setting check the electrical operation of the door lock. Adjust the mounting plate as necessary to achieve the correct setting. Fully tighten the securing screws on completion.
17. Refit the vapour barrier.
18. Connect the sill button operating rod to the bellcrank, hold in position, fit the door trim panel and the door pull.

BULB REPLACEMENT

For bulb type and rating refer to rating shown on the bulb or bulb replacement list. **See GENERAL SPECIFICATION DATA, Information, Bulbs**

HEADLIGHT

Service repair no - 86.40.02/13

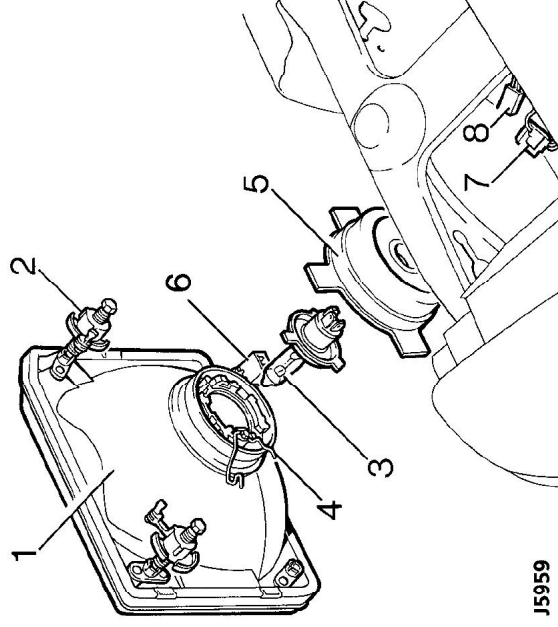
Remove

1. Rotate three retaining clips 10 degrees, to align with slots in headlight mounting plate.
2. Withdraw light unit



NOTE: Detach adjustment operating rod on vehicles fitted with headlight levelling.

3. Disconnect electrical multiplugs and remove headlight unit.
4. Release spring clips and withdraw headlight bulb.



J5959

Key

1. Headlight
2. Retaining clips
3. Bulb
4. Spring clip
5. Cover
6. Bulb sidelight
7. Plug
8. Plug sidelight

Refit

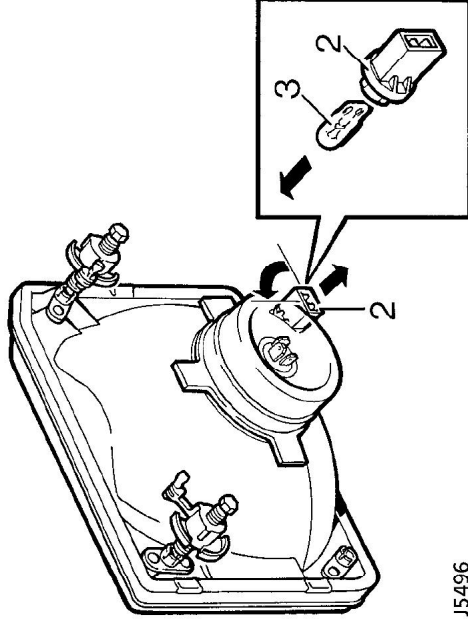
5. Reverse removal procedure.

SIDELIGHT BULB

Service repair no - 86.40.33

Remove

1. Remove headlight, **See Headlight**
2. Disengage bulb holder by twisting a quarter turn anti-clockwise.
3. Withdraw bulb from holder.



J5496

Refit

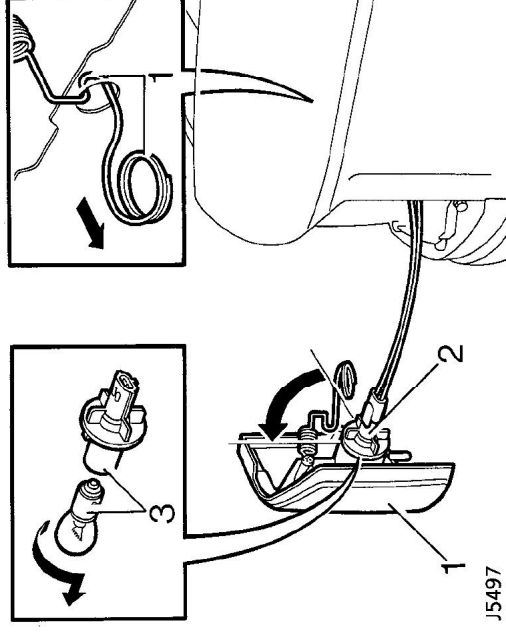
4. Reverse removal procedure.

FRONT DIRECTION INDICATORS

Service repair no - 86.40.41

Remove

1. Pull spring clips, release from location and lift out direction indicator unit.
2. Turn bulb holder anti-clockwise to release from indicator unit.
3. Push and twist the bulb to remove.



J5497

Refit

4. Reverse removal procedure. When replacing light unit, locate the two lugs at the bottom of the lens before re-engaging spring clips.

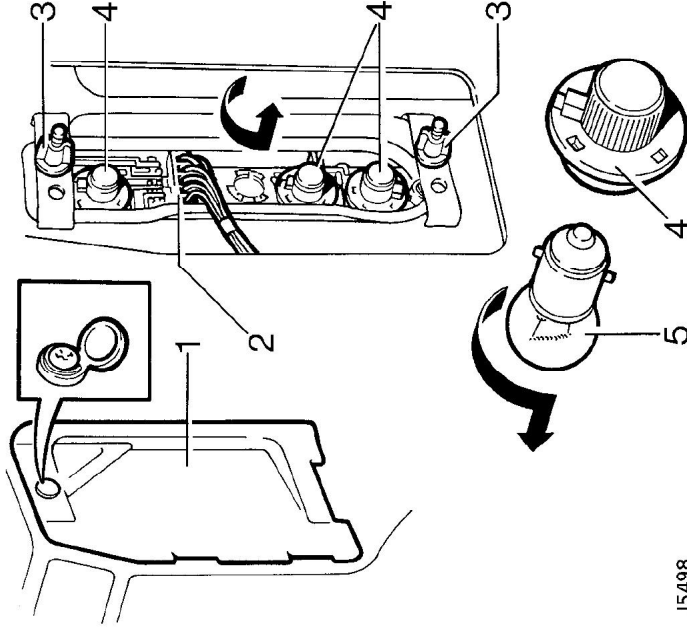


REAR LIGHT UNIT

Service repair no - 86.40.74

Remove

1. Pull out side facing seat or pocket cover.
2. Unscrew fastener and remove access panel.
3. Disconnect wiring harness multi-plug from light unit.
4. Remove retaining nuts and withdraw light unit from rear of vehicle.



J5498

Key

1. Access panel
2. Multiplug
3. Retaining nut
4. Bulb holder
5. Bulb

Refit

5. Reverse removal procedure. Ensure that the rubber seal is seated correctly.

STOP, REVERSING, FOG GUARD BULBS

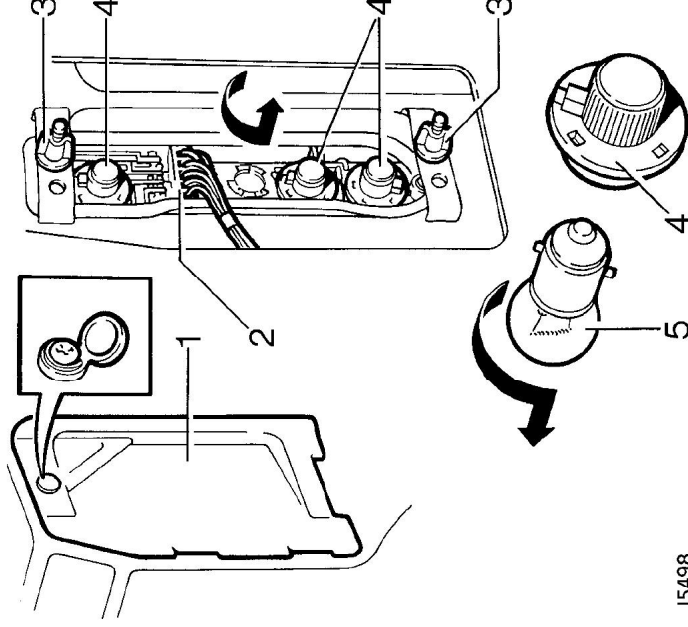
Service repair no - 86.40.74

Remove

1. Pull out side facing seat or pocket cover.
2. Unscrew fastener and remove access panel.
3. Turn bulb holder anti-clockwise to release.
4. Remove bulb.



NOTE: On vehicles fitted with rear air conditioning remove access panel housing rear loadspace light to gain access.



J5498

Key

1. Access panel
2. Multiplug
3. Retaining nut
4. Bulb holder
5. Bulb

Refit

5. Reverse removal procedure.