



POWER STEERING BOX

Service repair no - 57.10.13



WARNING: Adjustments of steering box should not be required while in warranty period. If box is stiff or tight and within warranty, it must be returned to manufacturer. No attempt must be made to introduce backlash.

1. Apply park brake, select 'P' in automatic transmission and chock wheels. Support chassis front on axle stands.
2. Remove engine undertray.
3. Disconnect drag link from steering drop arm.
4. Check torque to turn. **See Fault diagnosis, Stiff Steering Checklist**
5. Centralise steering box. **See Centralise Steering Box**



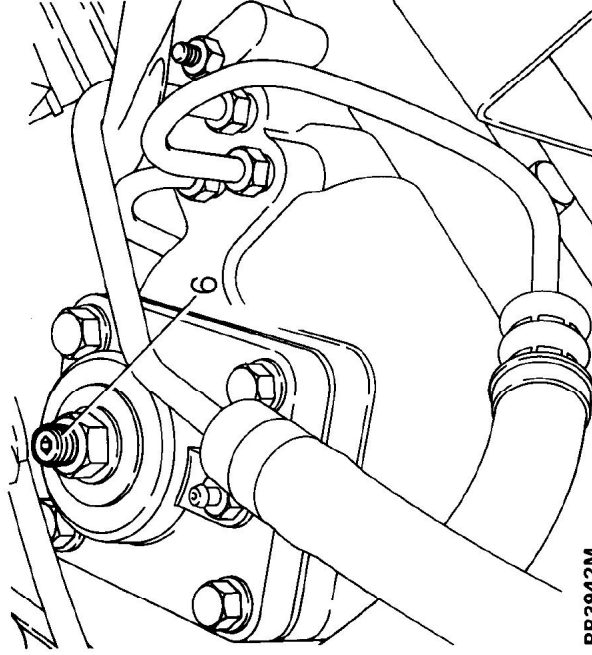
NOTE: Only check for no backlash when steering box is in central position.



NOTE: If steering wheel is not straight, it should be repositioned. **See Repair, Steering Wheel**

The adjustment of the steering box ensures any preload or end float present on centre is removed.

6. The adjustment is obtained by rocking the drop arm about centre whilst an assistant slowly tightens the steering box adjuster screw.



RR3942M

7. Tighten the locknut when all backlash has been removed.
8. Repeat the check for backlash. If backlash exists loosen locknut and repeat adjustment procedure.
9. Turn steering wheel lock to lock and check no tightness exists.
10. Ensure front wheels are aligned and in straight ahead position. **See Front Wheel Alignment**
11. Adjust drag link 924 mm between ball joint centres.
12. Connect drag link. Tighten to **40 Nm**.
13. Lower vehicle to ground level and remove chocks.
14. Road test vehicle. **See Fault diagnosis, Road Test Procedure**



NOTE: If steering wheel is not in straight ahead position when vehicle is travelling in a straight line, drag link length is incorrect and is pushing drop arm away from central position.

Drag link adjust

15. Right hand drive vehicles - if steering wheel is to right, drag link is too long. If steering wheel is to left drag link is too short.
Left hand drive vehicles - if steering wheel is to right, drag link is too short. If steering wheel is to left drag link is too long.
16. Adjust drag link until steering wheel points straight ahead when vehicle is travelling in a straight line.

CENTRALISE STEERING BOX

1. To centralise the box, insert a suitable peg (hole size 8.06 mm) into the rear of the drop arm and into the steering box casing to enable rapid and accurate setting on centre.