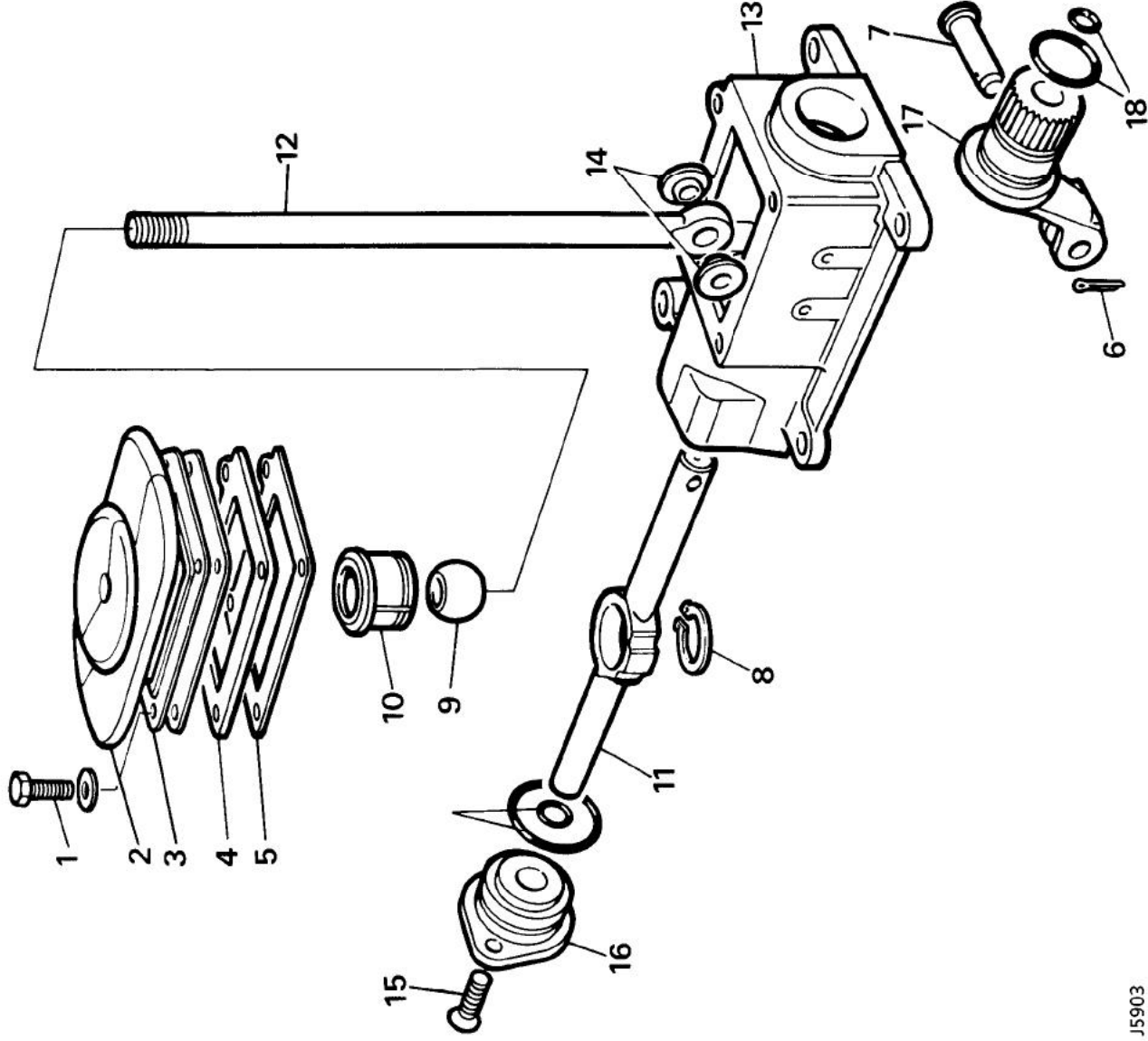




TRANSFER GEARBOX

TRANSFER GEAR SELECTOR COMPONENTS



J5903

1. Gaiter retaining screw - 4 off
2. Gaiter
3. Gaiter support plate
4. Gate plate
5. Gasket
6. Clip
7. Pin
8. Circlip, retaining nylon seat
9. Gear lever ball

10. Nylon seat
11. Cross shaft
12. Gear lever
13. Gear change housing
14. Non-metallic bushes
15. Countersunk screws
16. End cover
17. Selector fork
18. 'O' ring seals