



13/14CU AND 14CUX SYSTEMS

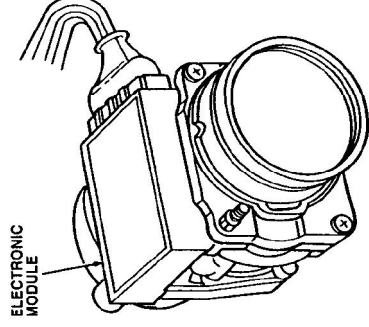
SYSTEM INPUTS

Mass Air Flow Sensor (MAF)

The Mass Air Flow (MAF) sensor is a hot-wire type. It contains two wires, one heated to a known value of 100° C (212° F) above the other. As air flow increases, the current required to maintain this difference in temperature increases. The air flow meter's circuitry converts this current requirement into a signal the ECM uses to determine the amount of air entering the intake manifold.

Typical MAF output voltage at idle is between 1.3 and 1.5 VDC. A diagnostic trouble code (12) is produced if MAF voltage is:

- less than 122 mV with RPM in excess of crank speed.
- greater than 4.96 V with RPM less than 976 for more than 160 milliseconds.



Mass Air Flow Sensor