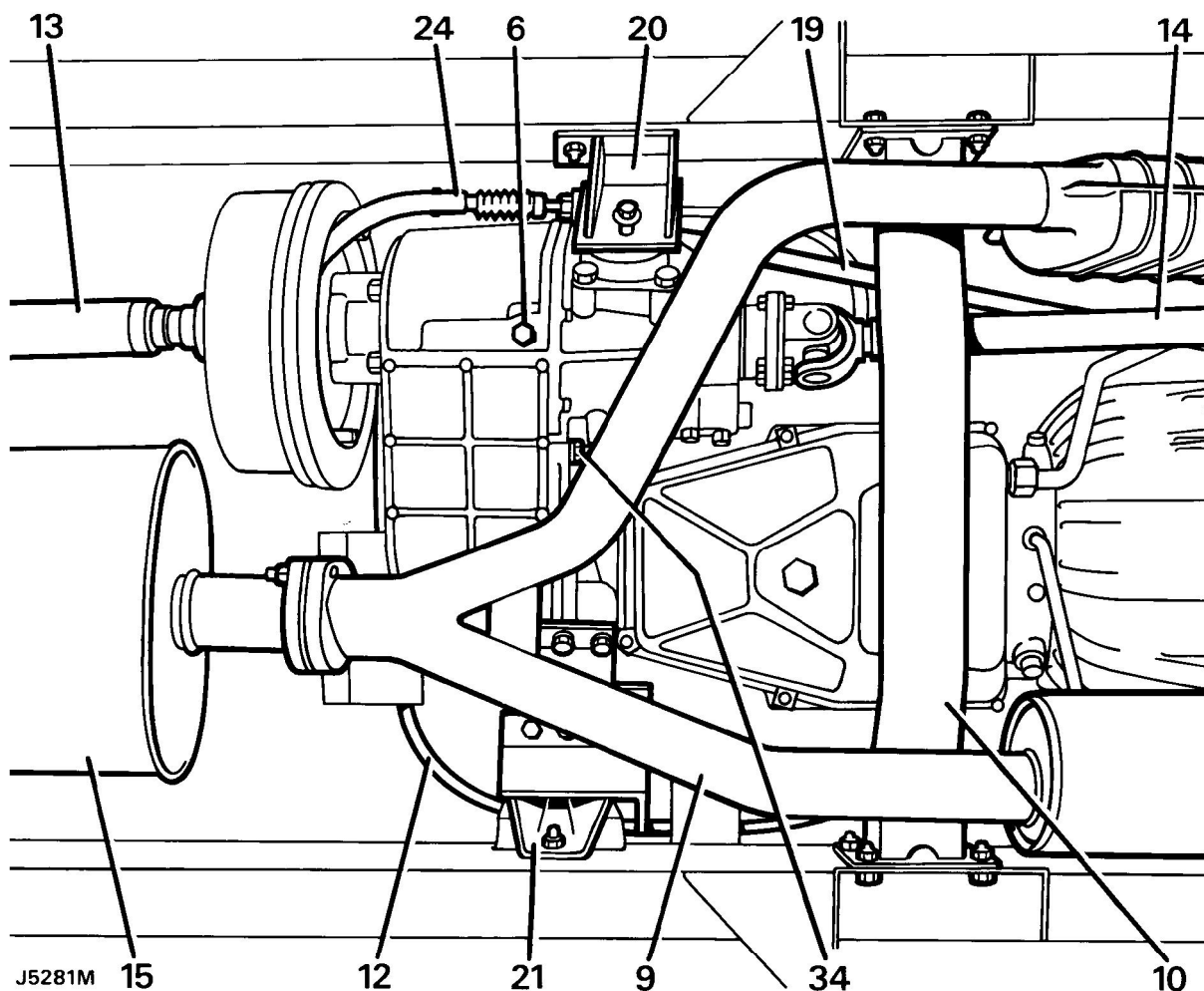




## Refit

36. Select 'P' in main gearbox, with low range and differential lock selected in transfer gearbox.
37. Secure transfer gearbox to adaptor plate on lifting hoist.
38. Ensure joint faces of transfer and main gearboxes are clean and guide studs 18G 1425 are fitted.
39. Raise hoist until transfer gearbox can be located over guide studs to main gearbox. At the same time locate high/low lower link to yoke.
40. Remove guide studs and secure transfer gearbox to main gearbox.
41. Complete refitting by reversing removal procedure, noting the following important points.
42. After removal of adaptor plate from transfer gearbox, clean threads of four bottom cover bolts, coat threads with Loctite 290 and fit together with spring washers. Tighten to **25Nm**
43. Add correct grade of oil to transfer gearbox to oil level plug hole. **See LUBRICANTS, FLUIDS AND CAPACITIES, Information, Recommended Lubricants and Fluids**
44. Check main gearbox oil level.
45. Check operation of parking brake and adjust as necessary. **See SECTION 10, Maintenance, Vehicle Interior**



J5281M