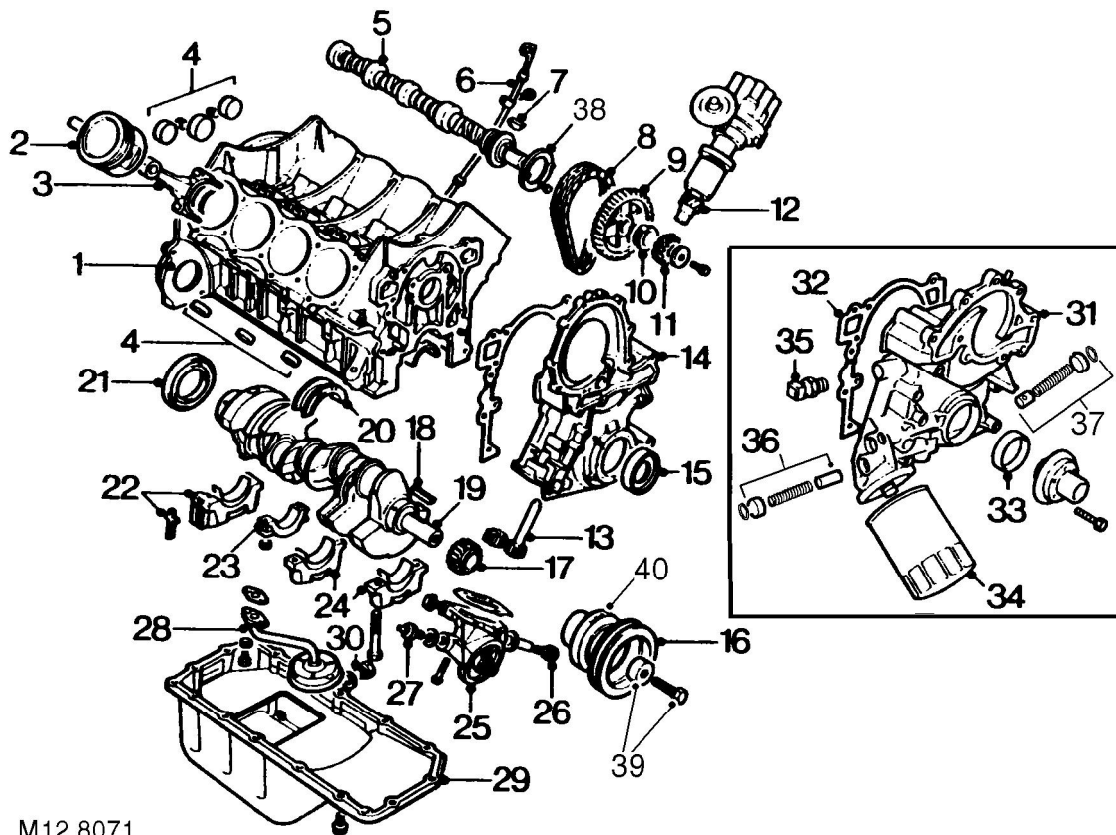


ENGINE



M12 8071



CYLINDER BLOCK COMPONENTS

- | | |
|--|--|
| <ol style="list-style-type: none"> 1. Cylinder block 2. Piston and gudgeon pin 3. Connecting rod 4. Core plugs 5. Camshaft 6. Dipstick 7. Camshaft key 8. Timing chain 9. Camshaft sprocket 10. Spacer 11. Distributor drive gear - if fitted 12. Distributor - if fitted 13. Oil pump gears * 14. Timing cover and gasket * 15. Timing cover oil seal * 16. Crankshaft pulley 17. Crankshaft sprocket 18. Woodruff key 19. Crankshaft 20. Centre main bearing shell - upper | <ol style="list-style-type: none"> 21. Crankshaft rear oil seal 22. Rear main bearing cap and side seals 23. Connecting rod cap 24. Main bearing caps 25. Oil pump cover * 26. Oil pressure relief valve assembly * 27. Oil pressure switch * 28. Oil pump suction pipe and strainer 29. Sump 30. Drain plug 31. Timing cover ** 32. Timing cover gasket ** 33. Timing cover oil seal ** 34. Oil filter ** 35. Oil pressure switch ** 36. Oil pressure by-pass valve assembly ** 37. Oil pressure relief valve assembly ** 38. Camshaft thrust plate - if fitted 39. Crankshaft pulley bolt and washer 40. Mud flinger |
|--|--|

* Engine numbers without suffix B

** Engine numbers with suffix B