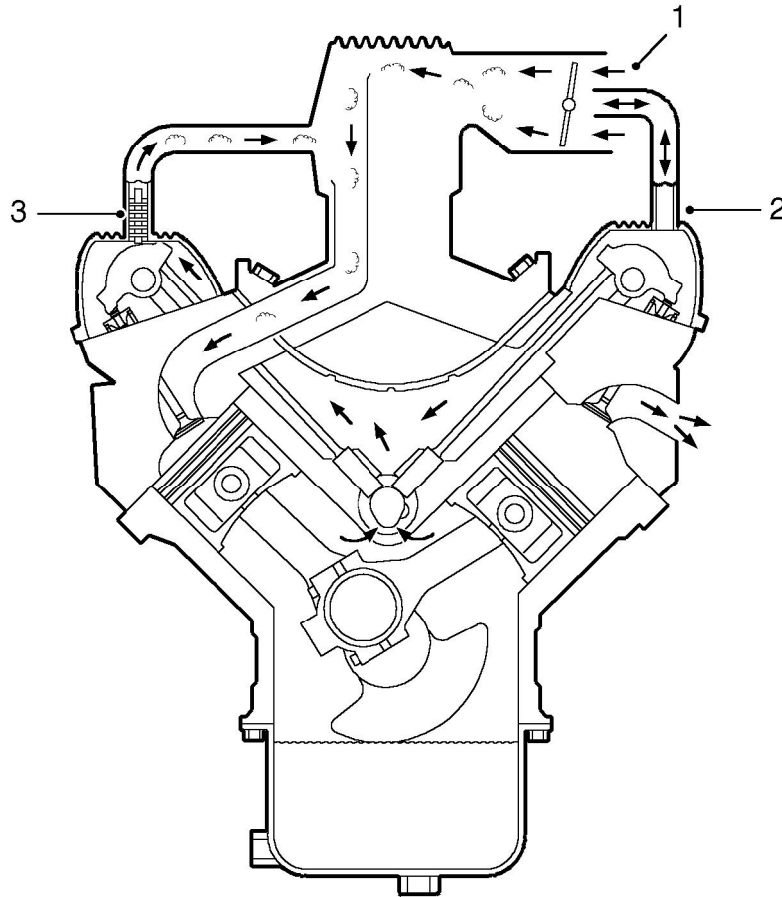




Crankcase emission control system



M17 0155

1 Intake air

2 LH rocker cover breather tube

3 Oil separator in RH rocker breather tube