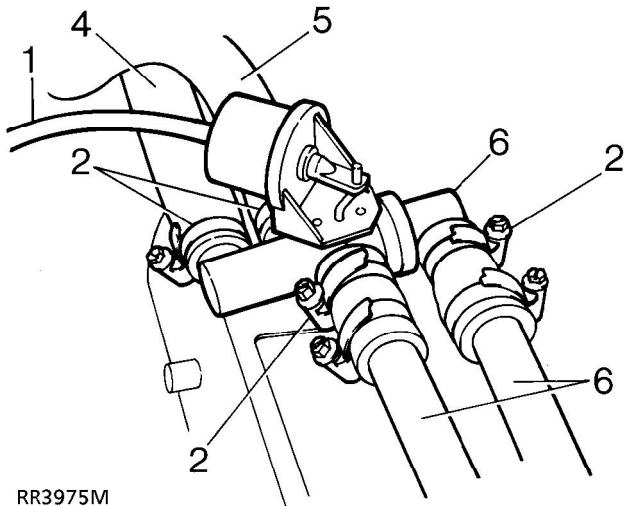


WATER VALVE

Service repair no - 80.10.16

Remove

RR3975M

1. Disconnect vacuum pipe from water valve.
2. Slacken 4 clips securing hoses to water valve.
3. Use a thin blade to break seal between hoses and nozzles
4. Disconnect heater inlet hose from valve.



NOTE: A quantity of coolant will be released.

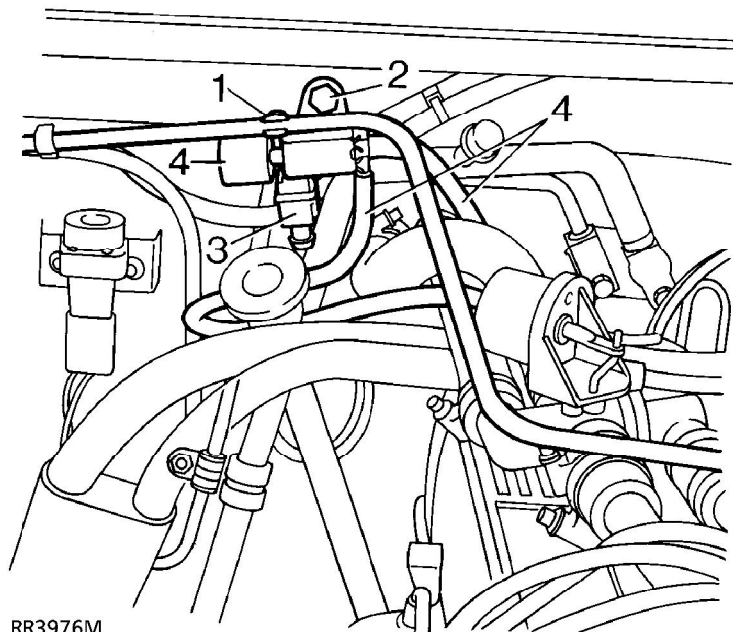
5. Disconnect heater outlet hose from valve.
6. Lever valve from coolant pipe hoses.

Refit

7. Reverse removal procedure. Lightly lubricate water valve nozzles with petroleum jelly.
8. Reverse removal procedure. Top-up engine coolant

VACUUM SWITCH - WATER VALVE

Service repair no - 80.10.36

Remove

RR3976M

1. Release emission pipe from retaining clip.
2. Remove bolt securing switch to bulkhead.
3. Disconnect multiplug from switch.
4. Disconnect 2 vacuum pipes and remove vacuum switch.

Refit

5. Reverse removal procedure.