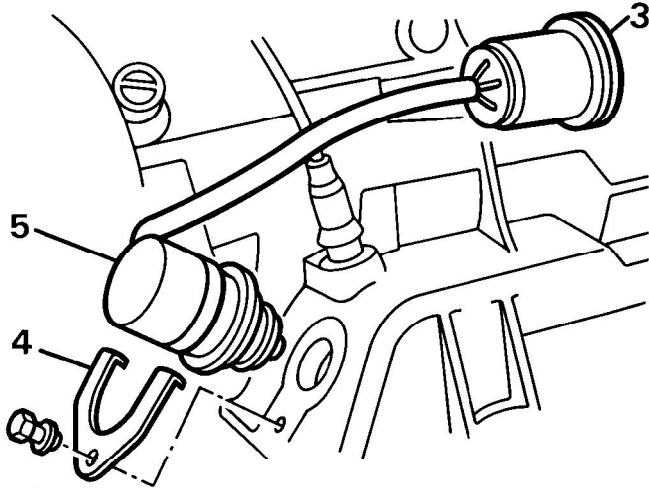


## INHIBITOR SWITCH

Service repair no - 44.15.19

### Remove



J5324M

1. Site vehicle on a four post ramp [hoist].
2. Disconnect battery negative lead. Raise vehicle.
3. Disconnect inhibitor switch multi plug.
4. Remove inhibitor switch retaining plate.
5. Remove inhibitor switch.
6. Remove 'O' ring seal.
7. Clean inhibitor switch.

### Refit

8. Clean mating face on casing.
9. Fit and lubricate new 'O' ring seal to switch.
10. Fit switch to casing.
11. Secure with retaining plate and bolt.
12. Connect multiplug to harness.
13. Reconnect battery and remove vehicle from ramp [hoist].

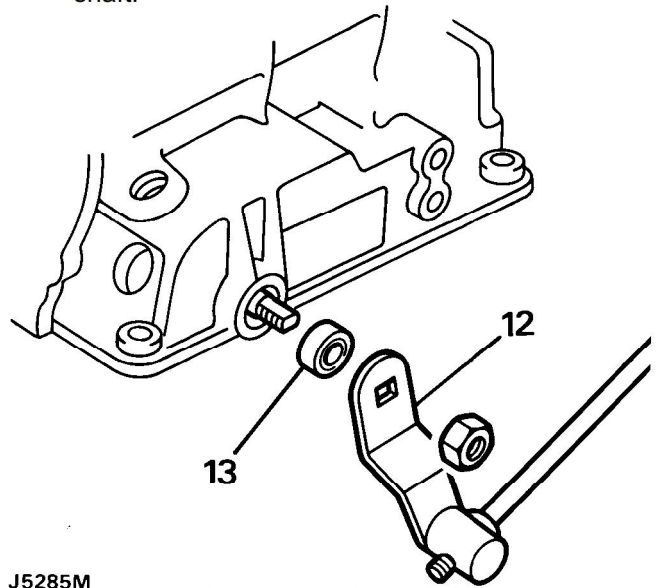
## SELECTOR SHAFT OIL SEAL

Service repair no - 44.15.34

### Renew

1. Site vehicle on a four post ramp [hoist].
2. Disconnect battery negative lead.
3. Raise vehicle.

4. Detach heat shield at front exhaust pipe to manifold.
5. Disconnect electrics from Lambda sensors.
6. Remove catalytic converter assembly.
7. Remove chassis cross-member from under gearbox.
8. Engage low range gear in the transfer gearbox.
9. Support transfer gearbox with a jack or transmission hoist.
10. Remove transfer gearbox chassis mounting bracket nuts and bolts. Note location of speedometer cable bracket for refit.
11. Lower transmission to allow access to selector shaft.



J5285M

12. Remove selector lever from shaft.
13. Remove selector shaft seal from casing.
14. Clean selector shaft and seal mating faces.
15. Fit centre section of special tool LST 114 over selector shaft.
16. Lubricate new oil seal and position seal on tool.
17. Fit tool outer sleeve and screw on nut to drive seal into housing.
18. Remove tool from shaft.
19. Refit selector lever to shaft.
20. Raise transmission and secure mounting brackets to chassis. Ensure speedometer cable bracket is secured. Tighten bolts to **30Nm**.
21. Remove support jack.
22. Refit chassis cross-member.
23. Refit catalytic converter assembly.
24. Connect electrics to Lambda sensors.
25. Connect heat shield front pipe to manifold.
26. Connect battery.
27. Check/top up gearbox oil level.