



SUNROOF ASSEMBLY - MANUAL, FRONT AND REAR

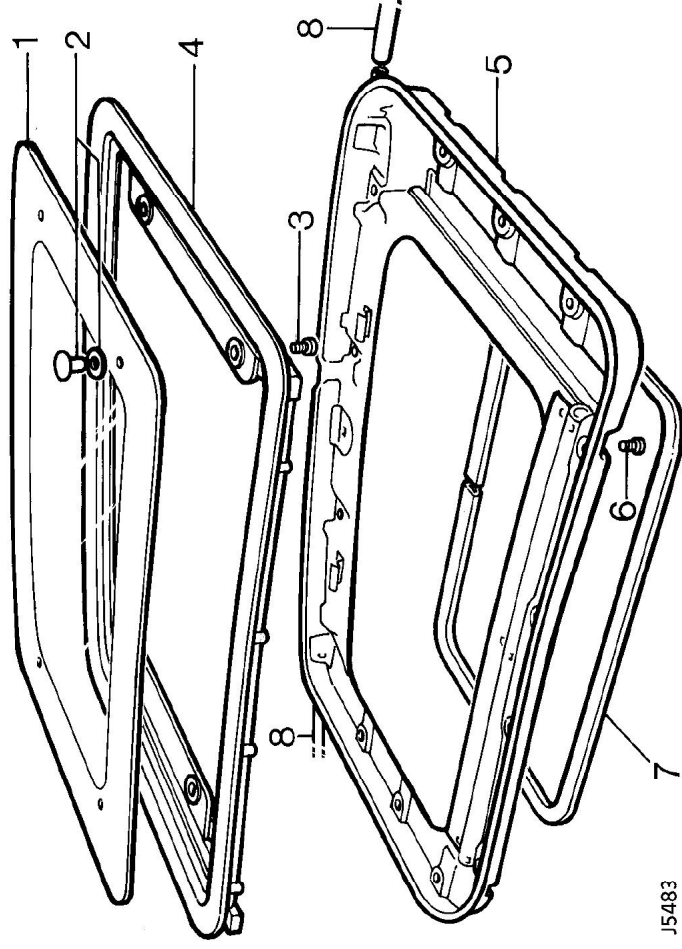
Service repair no - 76.83.01

Remove

1. Close sunroof.
2. Remove headlining. *See headlining.*
3. Remove screws and manual regulator from clamping frame. *See sunroof regulator manual.*
4. Disconnect drain tubes from each side of clamping frame.
5. Remove 13 screws and clamping frame from upper frame.
6. Remove upper frame assembly from roof aperture.

Refit

7. Position upper frame assembly into roof aperture.
8. Locate clamping frame and reconnect drain tubes.
9. Loosely fit screws, centralise upper frame and clamping frame assemblies and then tighten screws.
10. Reverse removal procedure.



J5483

Sunroof components

- | | |
|---------------------------------------------------------------------------------------------------------------------------------------------------|-----------------------------------------------------------------------------------------------------------------------------------------------|
| <ol style="list-style-type: none"> 1. Glass panel 2. Capnut and washer 3. Screw 4. Upper frame assembly | <ol style="list-style-type: none"> 5. Clamping frame assembly 6. Screw 7. Edging trim 8. Drain tube |
|---------------------------------------------------------------------------------------------------------------------------------------------------|-----------------------------------------------------------------------------------------------------------------------------------------------|