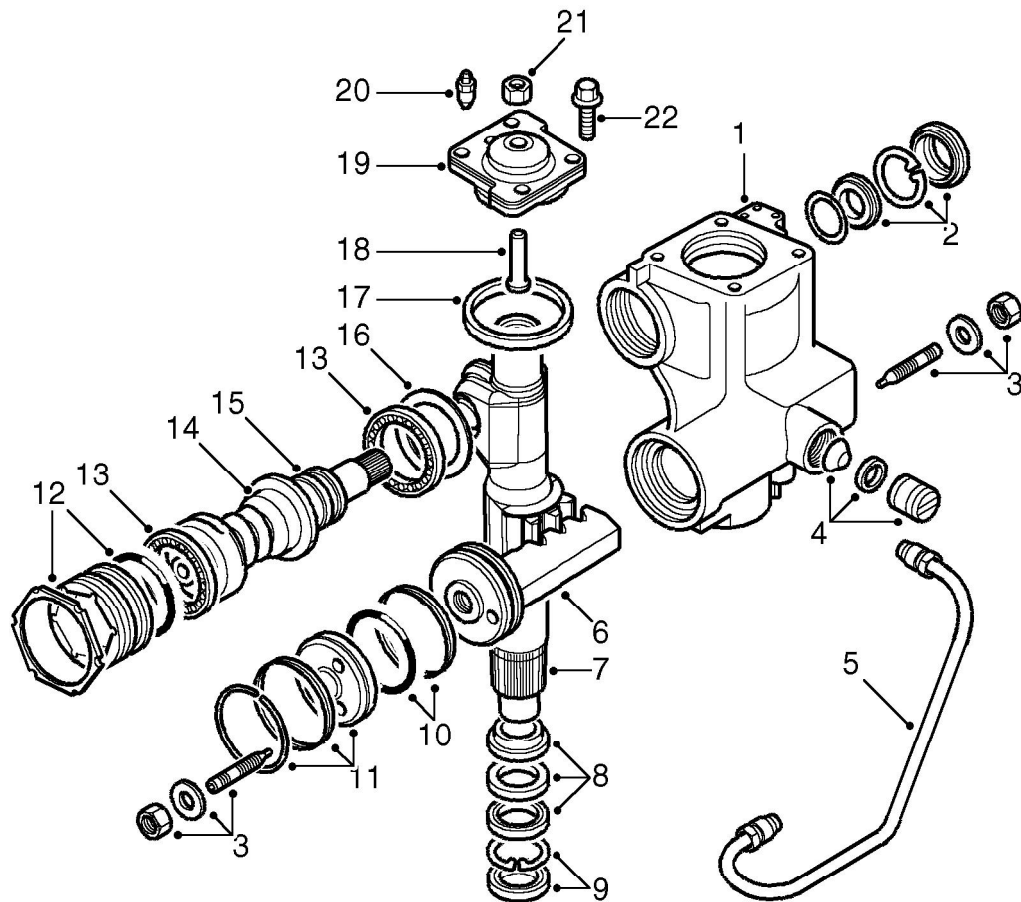


STEERING

Steering box



M57 0813

RH drive shown, LH drive similar

- | | |
|---|--|
| 1 Housing with output shaft lower bearing | 12 Bearing adjuster, locknut and seal |
| 2 Input shaft dirt shield, circlip, backup washer and pressure seal | 13 Bearing 2 off |
| 3 Relief valve stop, seal and locknut 2 off | 14 Worm gear and rotary control valve assembly |
| 4 Piston/rack adjuster | 15 Teflon seals 3 off |
| 5 Hydraulic pipe | 16 Worm/valve shims |
| 6 Piston/rack and relief valves | 17 Cover plate seal |
| 7 Output shaft | 18 Output shaft adjuster |
| 8 Seal, washer and backup seal | 19 Cover plate and bearing |
| 9 Circlip and dirt shield | 20 Bleed screw |
| 10 Teflon and rubber seal 2 off | 21 Output shaft adjuster lock nut and seal |
| 11 Cylinder cover, seal and snap ring | 22 Cover plate bolts 4 off |