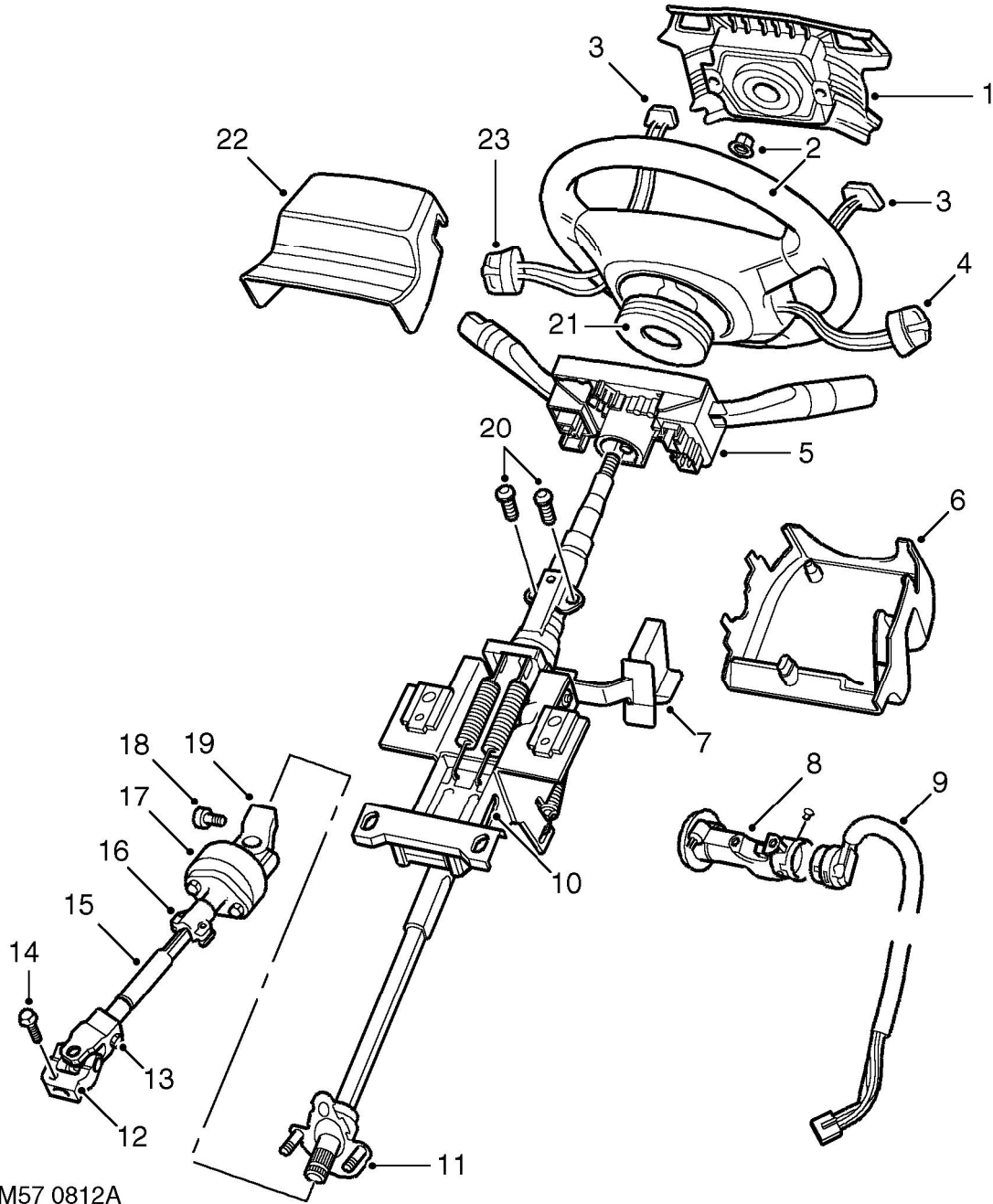


# STEERING

## Steering column assembly and intermediate shaft



M57 0812A