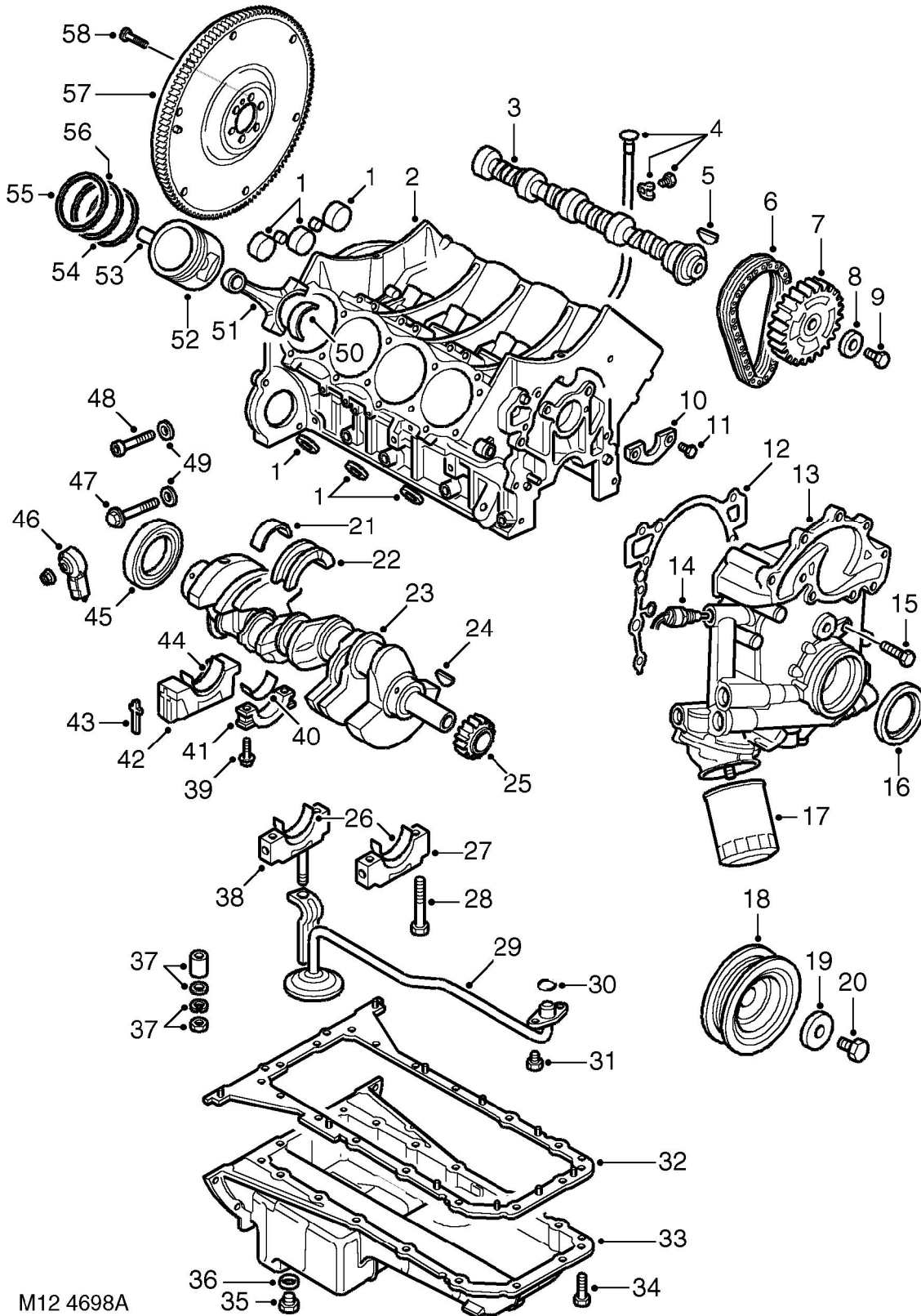


ENGINE - V8

Cylinder block components



M12 4698A