



# CHARGING AND STARTING

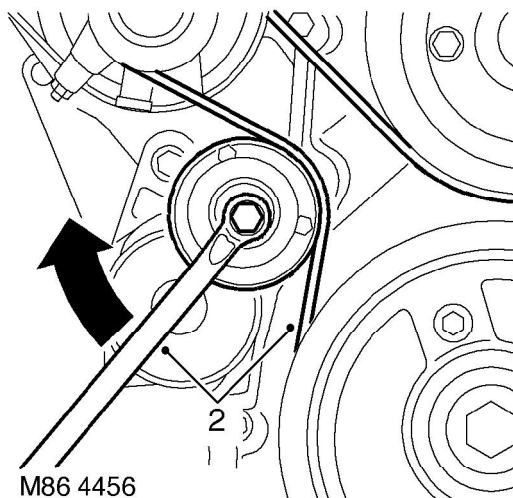
## Belt - auxiliary drive

86.10.03

### Remove



1. Remove viscous fan:

-  **COOLING SYSTEM - V8, REPAIRS, Fan - viscous.**
-  **COOLING SYSTEM - Td5, REPAIRS, Fan - viscous.**



2. Turn drive belt tensioner using a 15 mm ring spanner and release belt from pulleys.

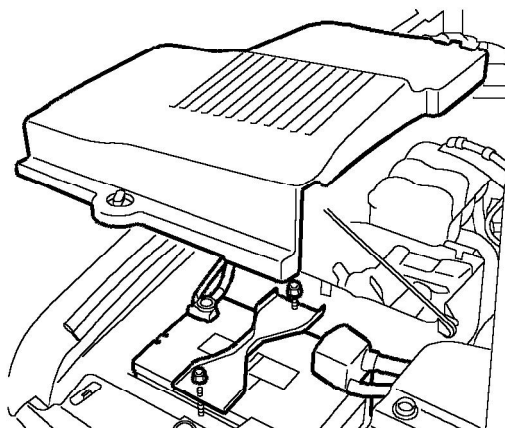
### Refit

1. Clean drive belt pulley grooves and ensure grooves are not damaged.
2. Fit new drive belt around pulleys, ensure belt is correctly aligned in pulley grooves.
3. With assistance, hold tensioner fully clockwise and fit drive belt around remaining pulley. Release tensioner.
4. Fit viscous fan:
  -  **COOLING SYSTEM - Td5, REPAIRS, Fan - viscous.**
  -  **COOLING SYSTEM - V8, REPAIRS, Fan - viscous.**

## Battery

86.15.01

### Remove



M86 4452

1. Release fixings and remove battery cover.
2. Disconnect both battery leads, negative lead first.
3. Remove lock nuts and retaining nuts securing battery clamp.
4. Remove battery clamp.
5. Remove battery.

### Refit

1. Clean battery terminals and coat with petroleum jelly.
2. Fit battery.
3. Fit battery clamp and tighten retaining nuts and lock nuts.
4. Fit both battery leads, negative lead last.
5. Fit battery cover and secure fixings.