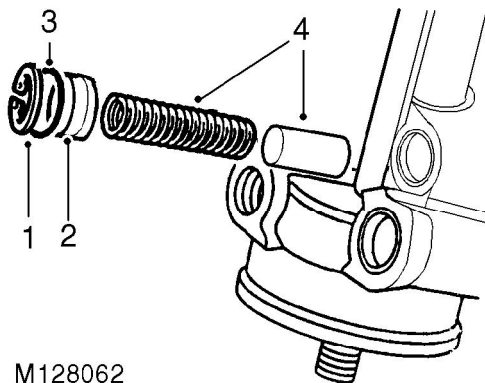




Oil pressure by-pass valve - remove



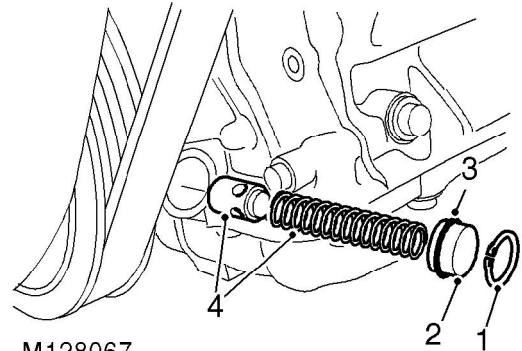
M128062

1. Remove circlip.
2. Remove by-pass valve plug.
3. Remove and discard 'O' ring from plug.
4. Remove by-pass valve spring and plunger.
5. Check plunger and bore of by-pass valve in oil pump body for scoring and corrosion.



NOTE: Light corrosion may be removed using grade 600 emery cloth soaked in oil.

Oil pressure relief valve - if fitted - remove



M128067

1. Remove circlip.
2. Remove relief valve plug.
3. Remove and discard 'O' ring from plug.
4. Remove relief valve spring and piston.
5. Check piston and bore of relief valve in oil pump body for scoring and corrosion.



NOTE: Light corrosion may be removed using grade 600 emery cloth soaked in oil.