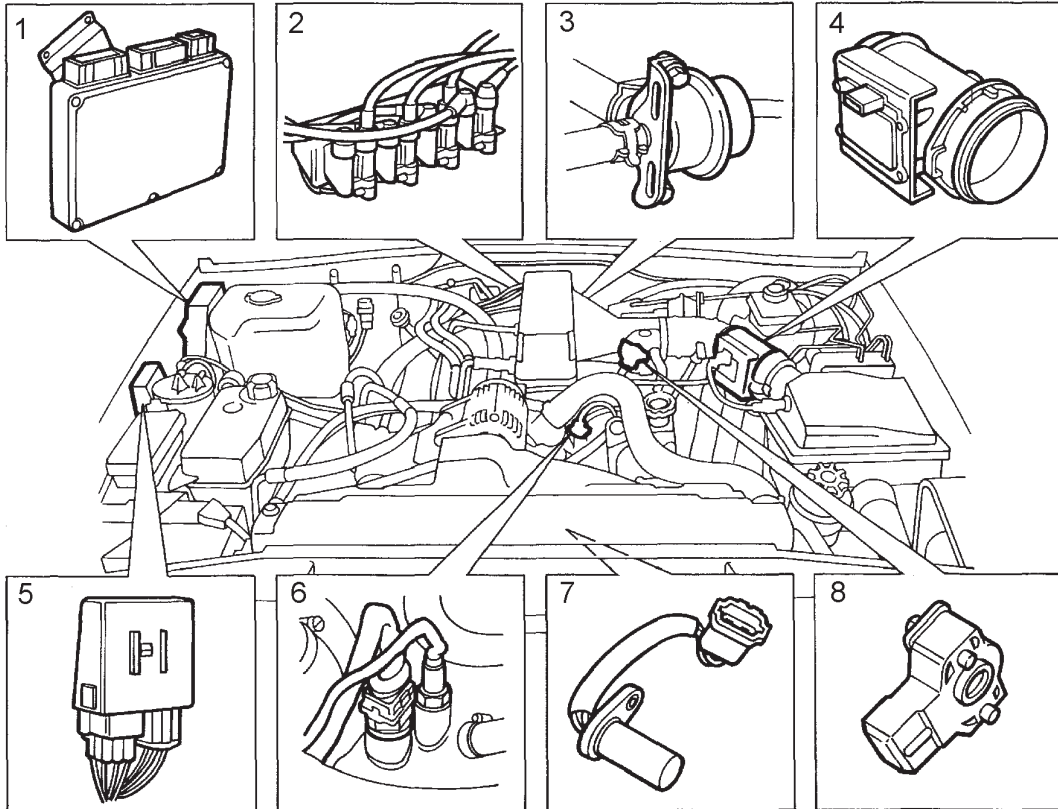


ENGINE MANAGEMENT SYSTEM COMPONENT LOCATION - PRE ADVANCED EVAPS



J6007

1. Engine control module
2. Ignition coils
3. Fuel pressure regulator
4. Mass air flow sensor
5. Relay module
 - Main relay
 - Fuel pump relay
6. Engine coolant temperature sensor
7. Camshaft position sensor
8. Throttle position sensor