



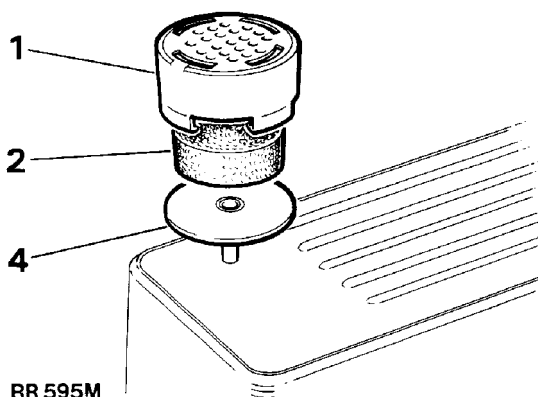
POSITIVE CRANKCASE VENTILATION AIR INTAKE FILTER

Service repair no - 17.10.02

The PCV air intake filter is located at the rear of the left hand rocker cover, beneath the throttle linkage bracket.

Remove

1. Pry the filter outer cover upwards to release it from its mounting.
2. Remove the sponge filter from the cover and discard the sponge.



Refit

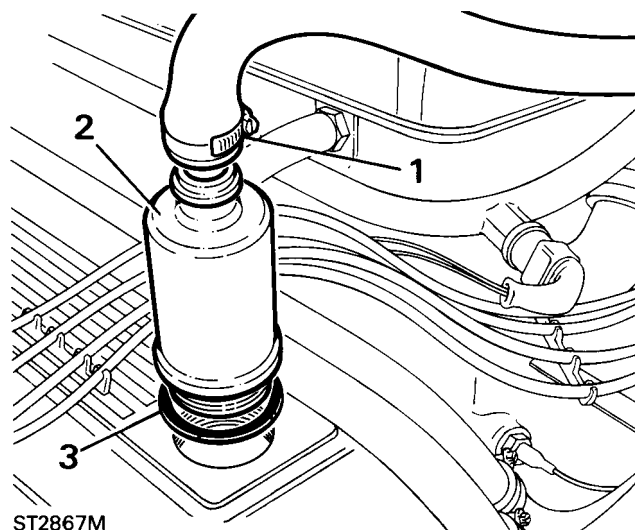
3. Insert a new filter into the filter cover.
4. Press the filter onto its mounting until it clips firmly into position.

POSITIVE CRANKCASE VENTILATION BREATHER FILTER

Service repair no - 17.10.03

Remove

1. Release the hose clamp and pull the hose off the canister.
2. Unscrew the canister and remove it from the rocker cover.
3. Remove the large rubber 'O' ring and inspect for deterioration.



4. Visually inspect the condition of the wire screen within the canister, if in poor condition, replace the whole assembly, if the filter unit is in an acceptable condition, clean as follows.
5. Immerse the canister in a small amount of solvent (mineral spirits) and allow time for the solvent to dissolve or loosen any debris.
6. Remove the canister from the solvent bath and allow to dry in still air.



WARNING: Do not use a compressed air line to dry, clean or remove any remaining particles of debris within the canister as this could cause fire or personal injury.

Refit

7. If the original canister is being refitted, fit a new 'O' ring.
8. Screw the canister into the rocker cover securely - hand tight only.
9. Refit the hose and tighten the hose clamp securely.