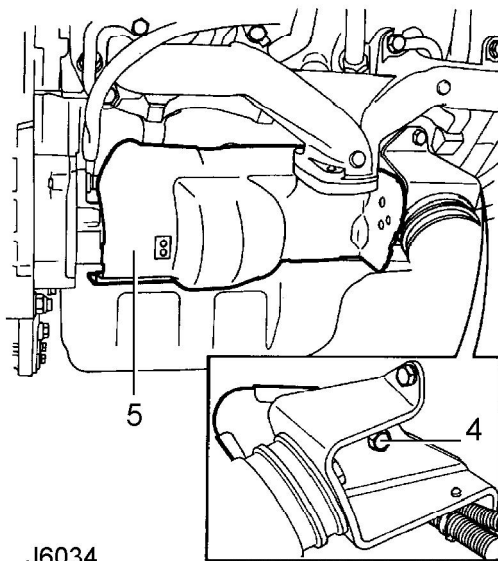


**STARTER MOTOR HEAT SHIELD - 4.0 V8**

Service repair no - 86.60.12

**Remove**

1. Disconnect battery negative lead.
2. Raise vehicle on ramp.
3. Remove heated oxygen sensor from RH exhaust front pipe. **See EMISSION CONTROL, Repair, Heated Oxygen Sensor (HO2S) - 4.0 V8**



J6034

4. Remove bolt securing heat shield to RH engine mounting bracket.
5. Release heat shield clip from starter solenoid.
6. Manoeuvre heat shield rearwards and around starter motor.

**Refit**

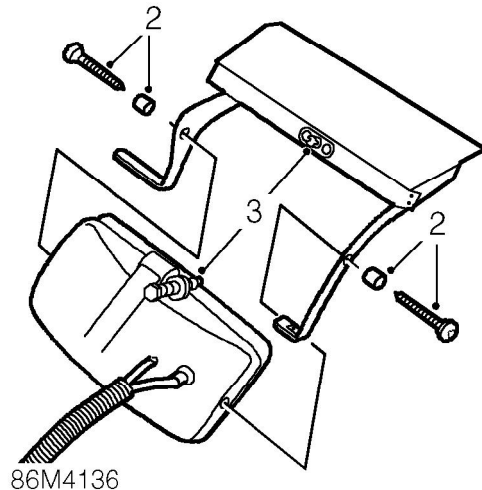
7. Reverse removal procedure.

**BULB - FRONT FOG LAMP**

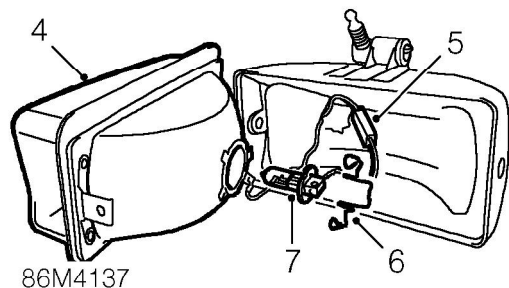
Service repair no - 86.40.94

**Remove**

1. Remove front fog lamp. **See fog lamp - front**



2. Remove 2 Torx screws securing fog lamp to bracket and collect 2 spacers.
3. Release fog lamp adjustment ball joint from bracket and remove lamp.



4. Release lamp lens from shroud.
5. Disconnect 2 Lucars from bulb.
6. Release bulb retaining clip.
7. Remove bulb from lens.