

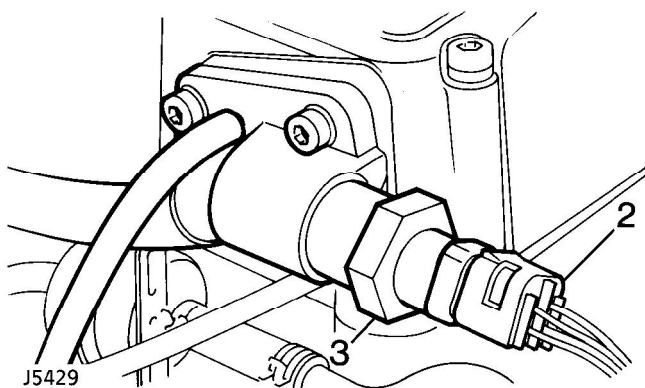


IDLE AIR CONTROL VALVE

Service repair no - 19.22.54


Remove

1. Disconnect battery negative lead.
2. Disconnect multi-plug.
3. Unscrew valve from rear plenum chamber.
4. Remove washer.



Refit

5. Fit **NEW** sealing washer.

 **NOTE: If same idle air control valve is being refitted clean sealing compounds from threads. Apply Loctite 241 to threads of valve before reassembly.**

6. Tighten valve to **20 Nm**.
7. Reverse removal procedure.

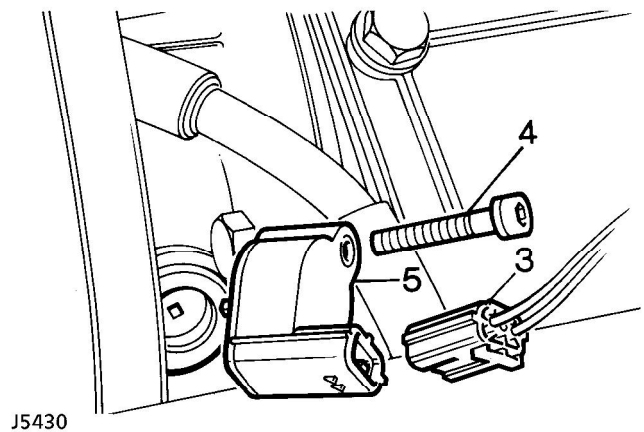
VEHICLE SPEED SENSOR

Service repair no - 88.30.14

The vehicle speed sensor is located in the LH side of the transfer box.

Remove

1. Place vehicle on lift, apply parking brake.
2. Disconnect battery negative lead.
3. Raise lift, disconnect multiplug from vehicle speed sensor.
4. Remove screw securing sensor to transfer box.
5. Remove vehicle speed sensor



Refit

6. Reverse removal procedure.