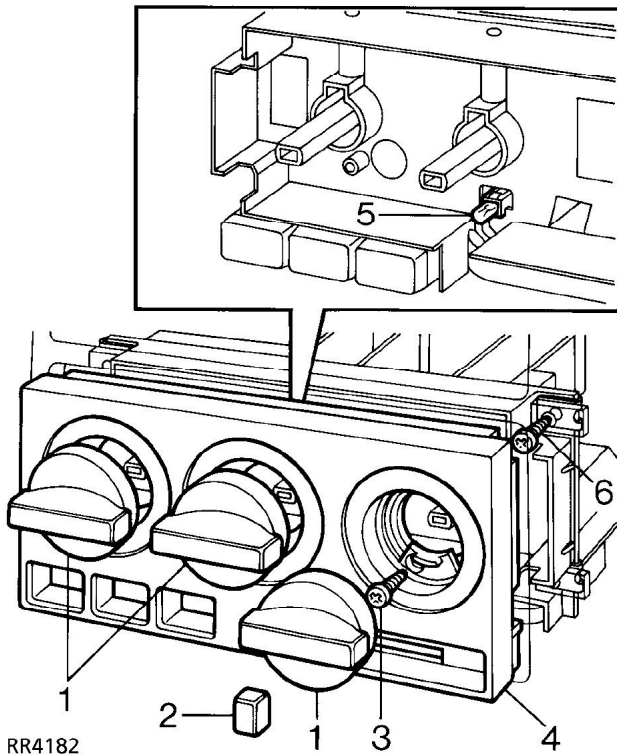




HEATER BLOWER SWITCH AND ILLUMINATION BULB

Service repair no - 80.10.22 - Switch
Service repair no - 86.48.73 - Bulb

Remove



RR4182

1. Pull 3 knobs from rotary controls.
2. Pull knob from blower switch.
3. Remove 2 screws retaining graphics panel.
4. Remove graphics plate.
5. Remove capless bulb.
6. Remove 4 screws retaining switch.
7. Remove switch panel. Use plastic tube to assist removal.

Blower switch

8. Pull blower switch from rear of panel.
9. Disconnect multiplug and remove blower switch.

Refit

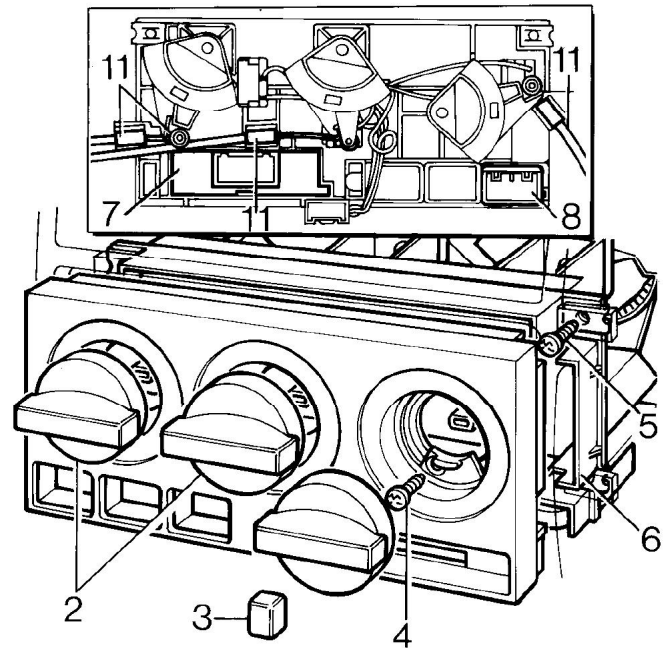
10. Reverse removal procedure.

HEATER CONTROL UNIT

Service repair no - 80.10.42.

Remove

1. Disconnect battery negative lead.



RR3971M

2. Pull 3 knobs from rotary controls.
3. Pull knob from blower switch.
4. Remove 2 retaining screws and remove graphics panel.
5. Remove 4 screws retaining switch.
6. Remove switch panel.
7. Release fascia centre louvre vent panel from its fitted position to gain access to rear of panel.
See CHASSIS AND BODY, Repair, Dash Panel Central Louvre Panel

8. Disconnect 4 multiplugs and position harness aside.



NOTE: *Do not carry out further dismantling if component is removed for access only.*

9. **Fan speed switch:** remove fan speed switch slide and push out fan speed switch.
 10. Pull out light bulb disconnect terminals and remove fan speed light strip.
 11. Unclip 3 heater control cables from control unit.
 12. **Microswitch:** Unclip 3 micro switches.
 13. Cut cable tie and release wiring harness from control unit.
 14. Remove heater control unit.

Refit

15. Reverse removal procedure. Check the satisfactory function of the controls before fitting louvre vent panel.

CONTROL CABLES

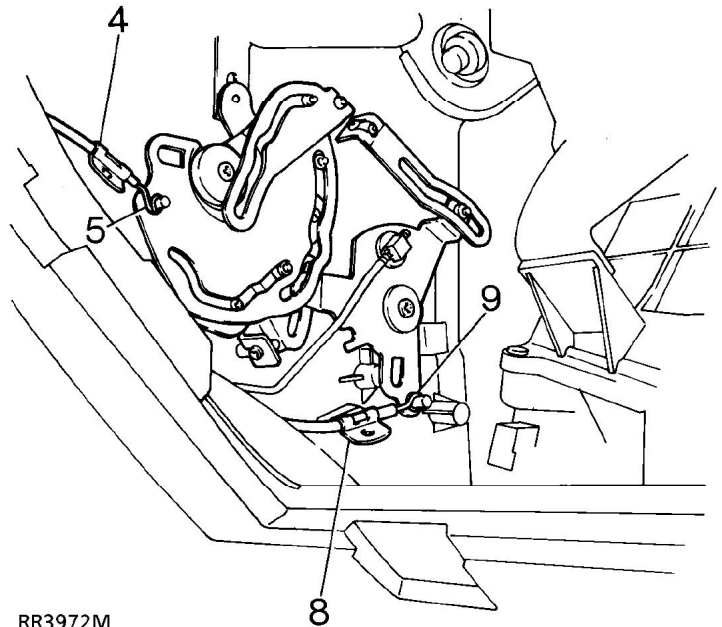
Service repair no - 80.10.06 - Air flow

Service repair no - 80.10.25 - Temperature control RH

Service repair no - 80.10.26 - Temperature control LH

Remove

1. Release fascia centre louvre vent panel from its fitted position to gain access to rear of panel.
See CHASSIS AND BODY, Repair, Dash Panel Central Louvre Panel
2. Open glove box, manoeuvre side springs through cut-outs and lower lid.

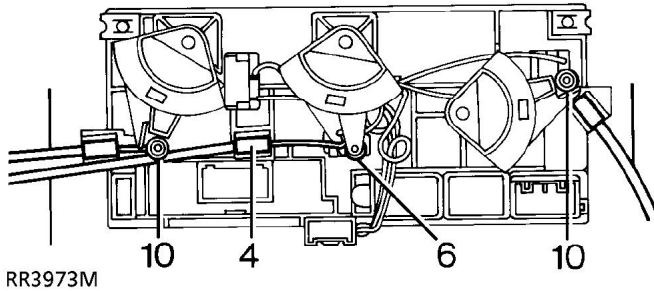


RR3972M



Air direction

3. Set control fully clockwise
4. Release outer cable from 2 clips on unit.
5. Release cable from stud on flap lever.
6. Remove control cable from control lever.



Temperature

7. Set RH control fully clockwise, LH control fully anti-clockwise
8. Release outer cable from 2 clips on unit.
9. Release cable from stud on flap lever.
10. Remove control cable from control lever.

Refit

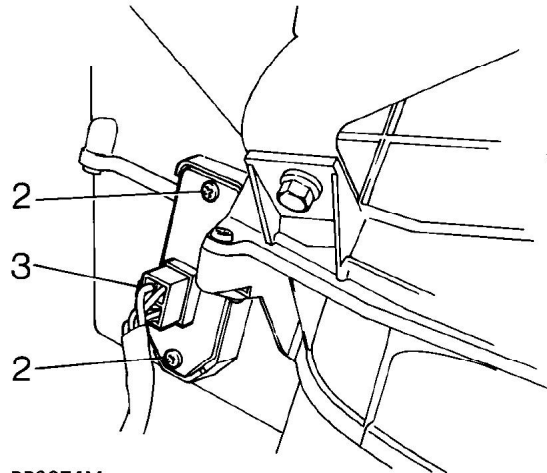
11. Reverse removal procedure. Check the satisfactory function of the controls before fitting louvre vent panel.

RESISTOR UNIT

Service repair no - 80.20.17

Remove

1. Open glove box, manoeuvre side springs through cut-outs and lower lid.



2. Remove 2 screws securing resistor unit to trunking.
3. Disconnect multiplug and remove resistor unit.

Refit

4. Reverse removal procedure.