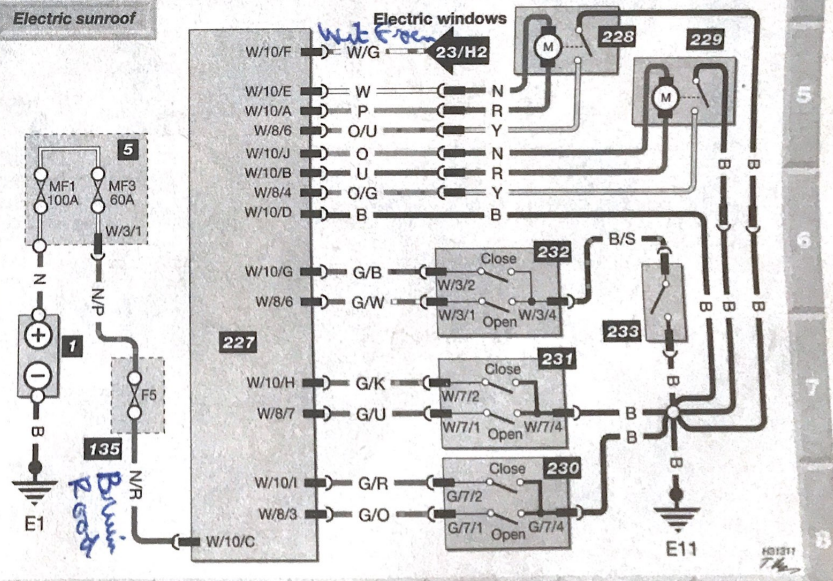


Wire colours

B	Black	P	Purple
G	Green	R	Red
K	Pink	S	Grey
L	Light	U	Blue
N	Brown	W	White
O	Orange	Y	Yellow

- Key to items**
- |     |                           |     |                                 |
|-----|---------------------------|-----|---------------------------------|
| 1   | Battery                   | 223 | Heated rear window relay        |
| 4   | Ignition switch           | 224 | LH heated mirror                |
| 5   | Engine fusebox            | 225 | RH heated mirror                |
| 8   | Passenger fusebox         | 226 | Heated rear window              |
| 135 | Satellite fusebox 2       | 227 | Sunroof control unit            |
| 217 | Rear wiper relay          | 228 | Front sunroof motor             |
| 218 | Rear wiper motor          | 229 | Rear sunroof motor              |
| 219 | Rear screen washer pump   | 230 | Front sunroof switch            |
| 220 | Rear screen wiper switch  | 231 | Rear sunroof switch             |
| 221 | Rear screen washer switch | 232 | Passenger's rear sunroof switch |
| 222 | Heated rear window switch | 233 | Rear sunroof lockout switch     |



F G H J K L