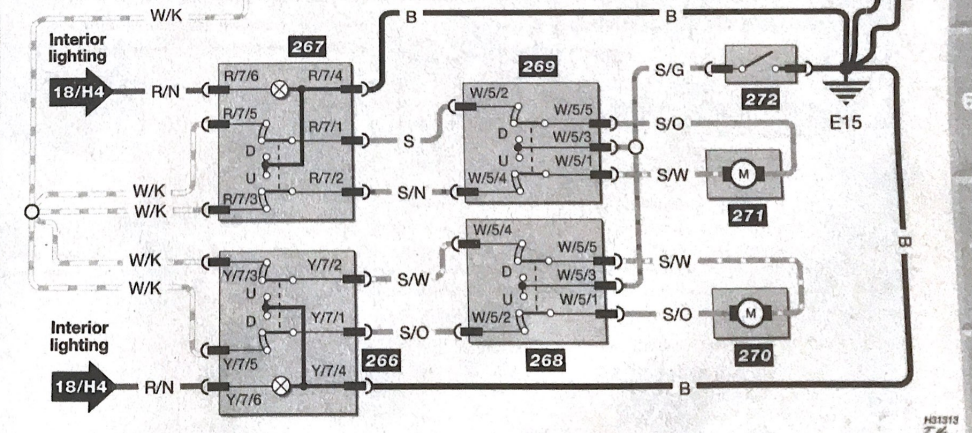


Wire colours

B	Black	P	Purple
G	Green	R	Red
K	Pink	S	Grey
L	Light	U	Blue
N	Brown	W	White
O	Orange	Y	Yellow

Key to items

1	Battery	261	LH front window motor
4	Ignition switch	262	RH front window motor
5	Engine fusebox	264	LH front switch
8	Passenger fusebox	265	RH front switch
135	Satellite fusebox 2	266	LH rear console switch
255	RH front door lock	268	LH rear door switch
256	Tailgate lock	269	RH rear door switch
257	RH front door lock	270	LH rear window motor
258	LH rear door lock	271	RH rear window motor
259	LH front door lock	272	Rear Isolator switch
260	Electric window ECU		



A B C D E F G H J K L