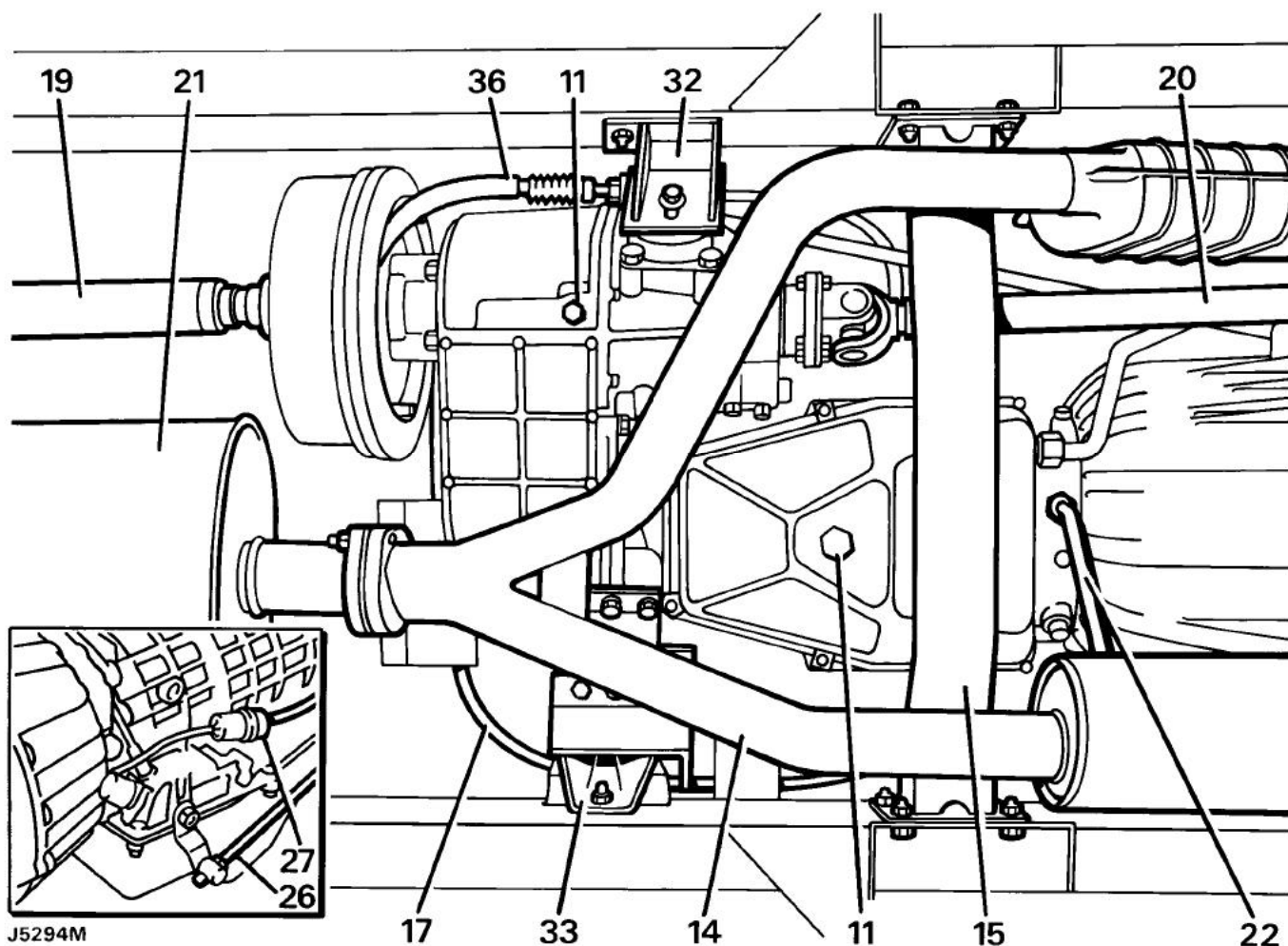


44 AUTOMATIC GEARBOX

1. Site vehicle on a four post ramp [hoist].
2. Disconnect battery negative lead.
3. Remove fan cowl securing screws and release cowl from radiator.
4. Loosen securing clip and disconnect air flow hose from plenum chamber.
5. Disconnect stepper motor hose from top of plenum chamber.
6. Disconnect kickdown cable from throttle linkage and release from clipping.
7. Release two gearbox breather pipes from clip located on lifting eye at rear of right hand cylinder head.
8. Remove dipstick from main gearbox oil filler tube.
9. Working inside vehicle detach transfer gear lever gaiter from console, unscrew knob and withdraw gaiter and knob.
10. Raise vehicle on ramp [hoist].



11. Remove drain plugs and drain oil from transfer gearbox and main gearbox. Refit plugs.
12. Detach heat shield at front exhaust pipe to manifold.
13. Disconnect electrics to Lambda sensors.
14. Remove catalytic converter assembly.
15. Remove chassis cross-member from under gearbox.
16. Remove heat shield from speedometer cable at transfer gearbox.
17. Remove clamp and disconnect speedometer cable from transfer gearbox. Tie cable to one side.
18. Mark for reassembly propeller shaft to transfer gearbox mating flanges.