

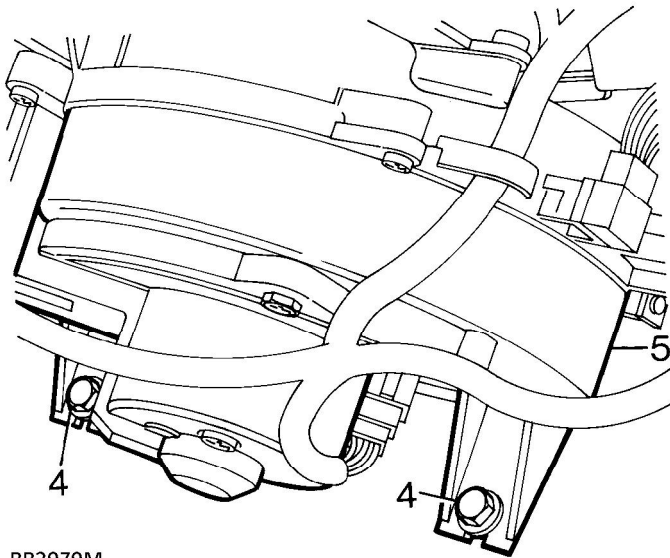
BLOWER MOTOR UNIT - HEATER AND AIR CONDITIONING

Service repair no - 80.20.17

Service repair no - 82.25.54.

Remove

1. Move seats to rear most position.
2. Disconnect battery negative lead.
3. Remove fascia panel assembly. **See CHASSIS AND BODY, Repair, Dash Panel Assembly**



RR3979M

4. Remove 2 nuts securing lower brackets to toeboard.
5. Manoeuvre blower unit from heater unit and remove.

Refit

6. Reverse removal procedure. Ensure seal between blower and heater unit is tight.

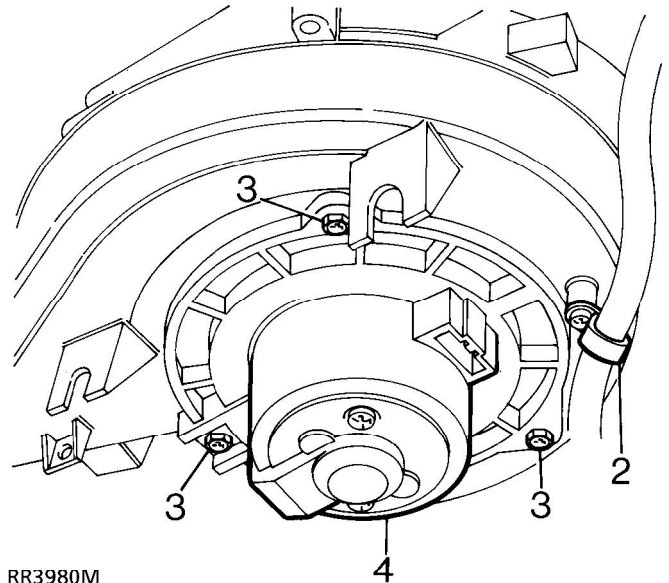
BLOWER MOTOR

Service repair no - 80.20.17

Service repair no - 82.25.33.

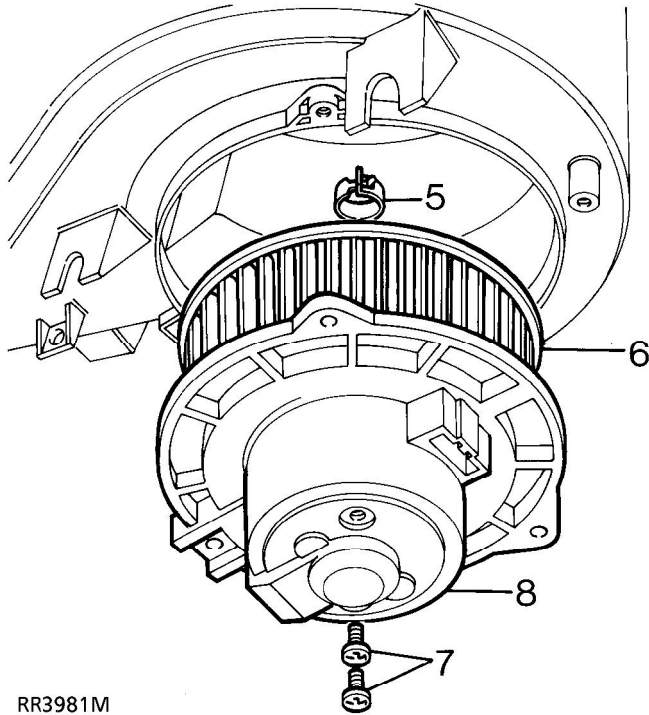
Remove

1. Remove blower motor unit. **See Blower Motor Unit - Heater and Air Conditioning**



RR3980M

2. Release wiring harness retaining clip.
3. Remove 3 screws securing casing.
4. Remove blower motor assembly.



RR3981M

5. Remove fan retaining clip.
6. Remove fan.
7. Remove 2 screws securing motor to casing.
8. Remove blower motor.

Refit

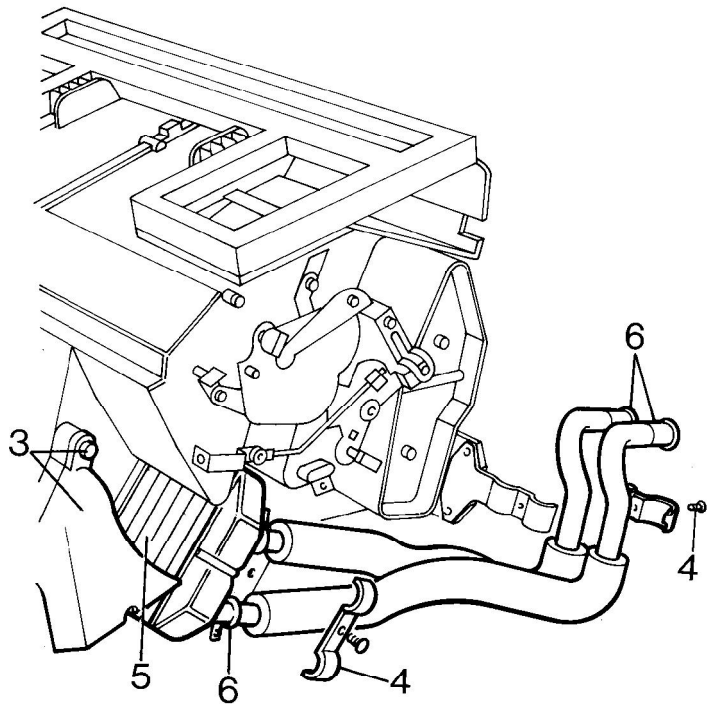
9. Reverse removal procedure.

HEATER MATRIX

Service repair no - 80.20.29

Remove

1. Remove heater unit. *See AIR CONDITIONING, Repair, Heater and Cooler Unit*
2. Remove evaporator. *See AIR CONDITIONING, Repair, Evaporator and Expansion Valve*



RR3982M

3. Remove 2 screws and remove RH side footwell outlet.
4. Remove heater pipe clips.
5. Slide heater matrix from casing.
6. Release 2 clips and remove 2 heater pipes from matrix.

Refit

7. Reverse removal procedure.