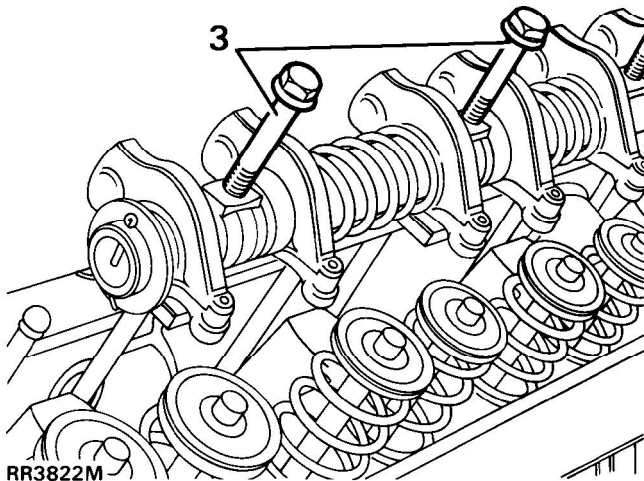




ROCKER SHAFT RENEW

Service repair no - 12.29.29

1. Remove rocker covers as required. **See *Rocker Cover - Right Hand - Renew*** or. **See *Rocker Cover - Left Hand - Renew***
2. Loosen four rocker shaft fixings.



3. Remove rocker shaft assembly.



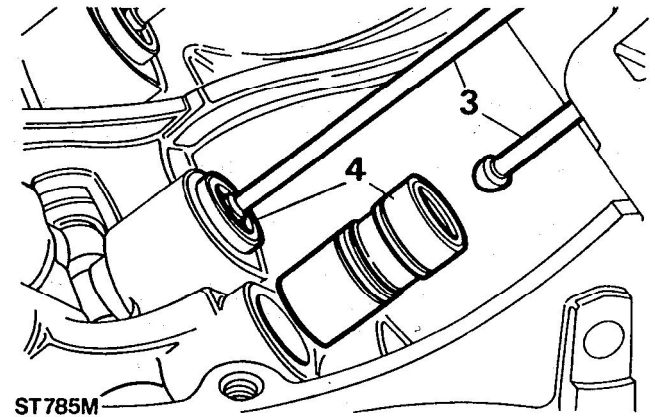
NOTE: Each rocker shaft is notched at **ONE** end. Notch must be uppermost and towards front of engine on right hand side, towards rear on left hand side.

4. Clean rocker pedestal locations on cylinder head.
5. Fit rocker shaft assembly, locating push rods to rockers.
6. Tighten rocker shaft fixings to **38 Nm**.
7. Fit rocker covers.

HYDRAULIC TAPPETS RENEW

Service repair no - 12.29.57

1. Remove rocker shafts. **See *Rocker Shaft Renew***
2. Remove intake manifold. **See *FUEL SYSTEM, Repair, Intake Manifold***
3. Remove push rods, retain in removal sequence.



4. Remove hydraulic tappets
5. Fit tappets, push rods and rocker assemblies. **See *V8i Overhaul Manual***.
6. Fit inlet manifold.
7. Reverse removal procedure.