

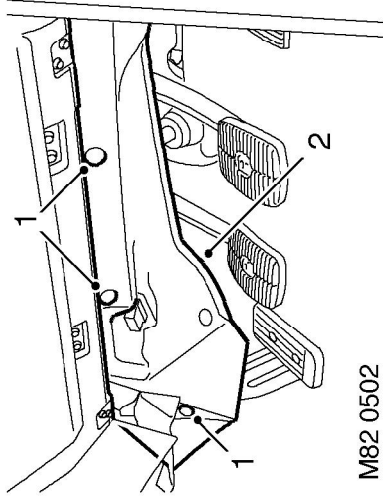


AIR CONDITIONING

Sensor - air temperature

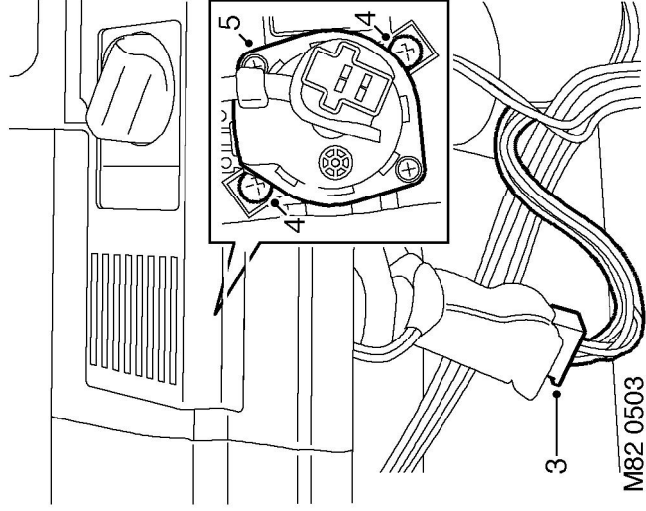
82.20.93

Remove



M82 0502

1. Release 2 quarter turn screws to release fascia access panel.
2. Lower fascia access panel.



M82 0503

3. Disconnect multiplug from air temperature sensor.
4. Remove 2 screws securing air temperature sensor to fascia.
5. Remove air temperature sensor from fascia.

Refit

1. Position air temperature sensor to fascia and secure with screws.
2. Connect multiplug to air temperature
3. Position and secure fascia access panel with quarter turn screws.