

SEATS

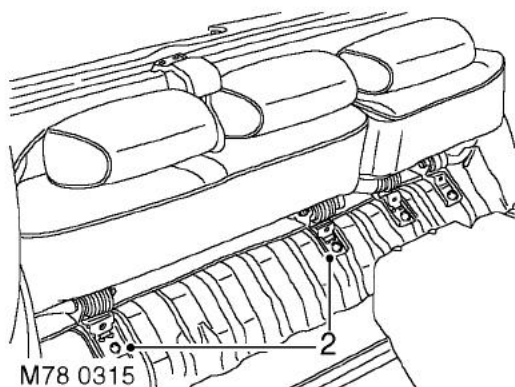
Seat - rear

🔑 78.10.48.99

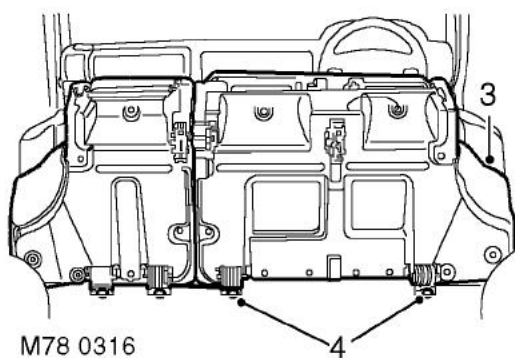
This procedure is applicable to both rear seats.

Remove

1. Carefully pull carpet away from the rear seat base to gain access to mounting brackets.



2. Remove 2 Torx bolts securing front of mounting brackets to floor.



3. Fold rear seats fully forward.
4. Remove the 2 Torx bolts securing rear of mounting brackets to floor.
5. Remove rear seat.

Refit

1. Position rear seat to floor in the fully folded position. Fit Torx screws to rear of mounting brackets and tighten to 45 Nm (33 lbf.ft).
2. Position rear seat in upright position. Fit Torx bolts to front of mounting brackets and tighten to 45 Nm (33 lbf.ft).
3. Position front carpet.