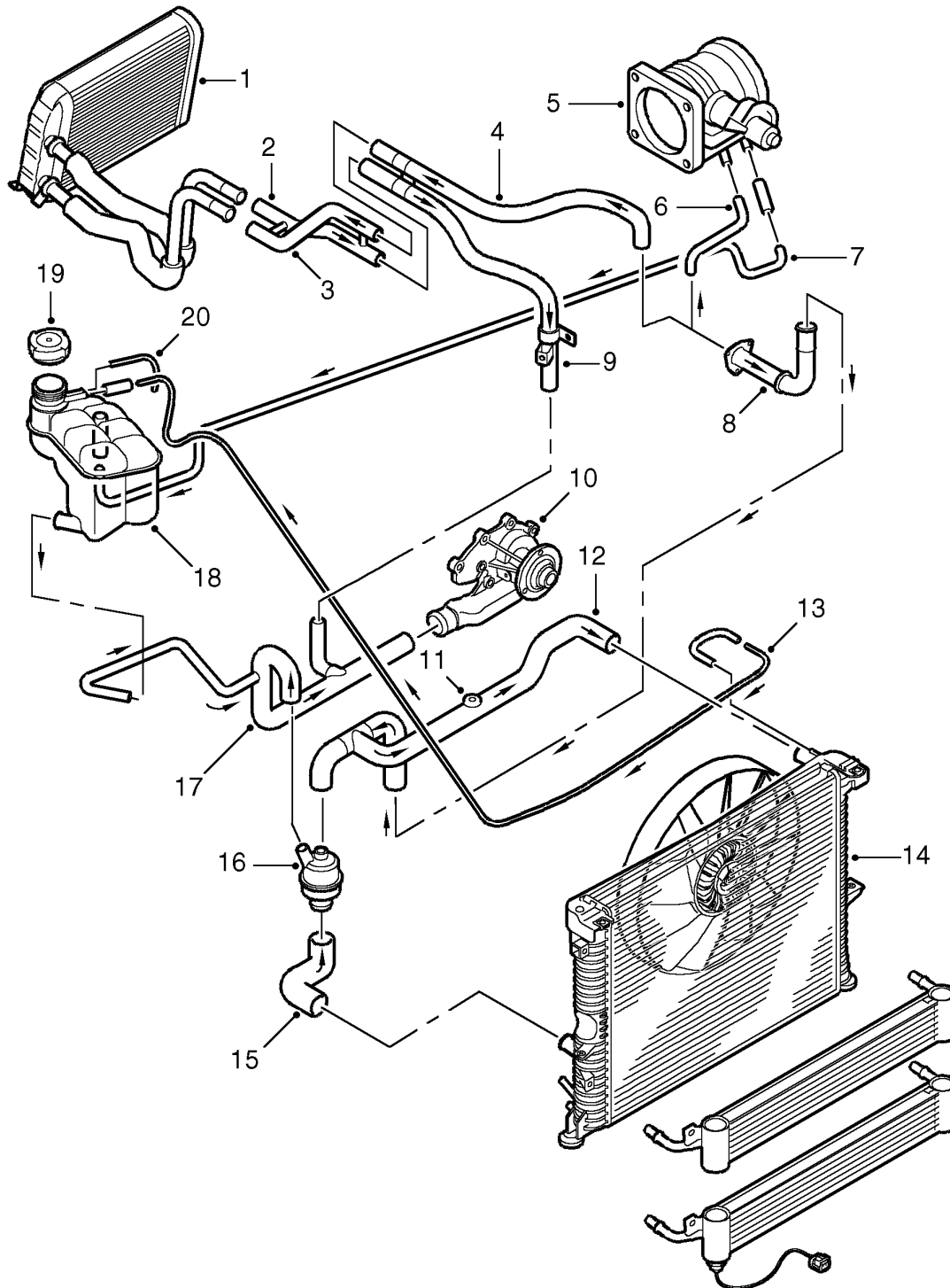


# COOLING SYSTEM - V8

## Cooling system coolant flow



M26 0842