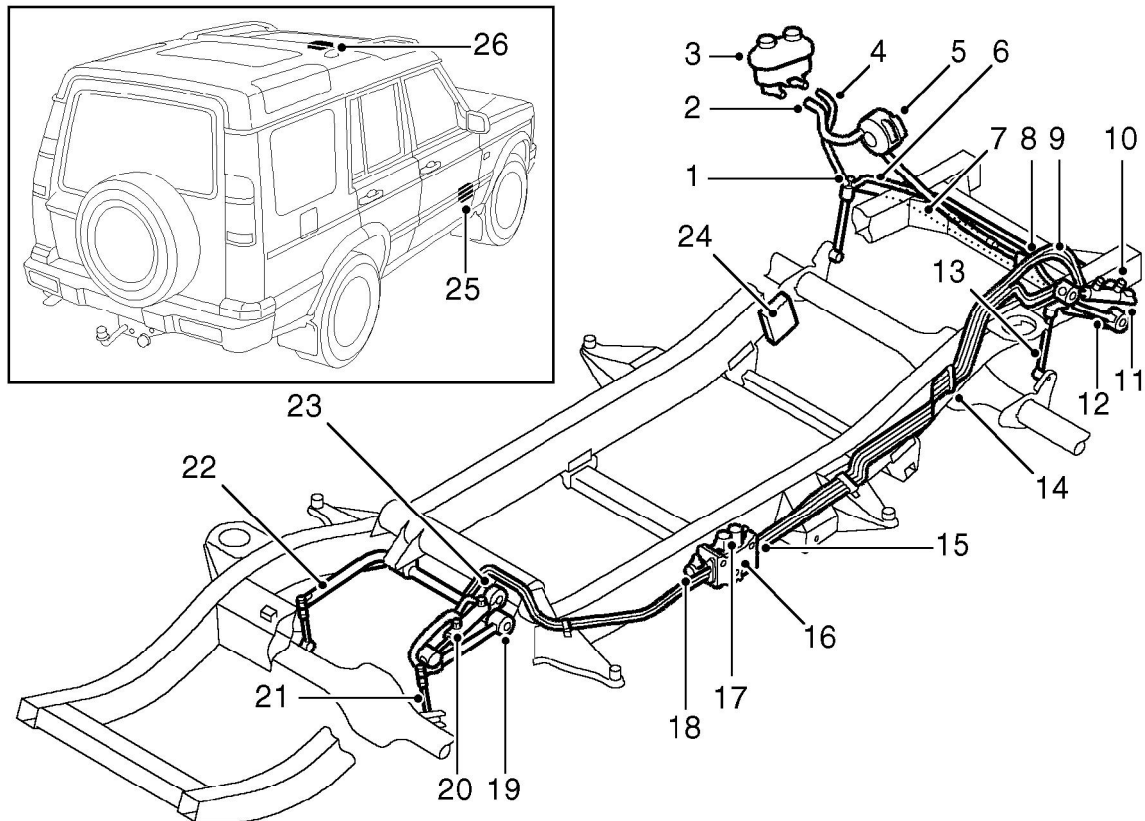




**ACE system component layout**



M60 0588A

- |   |  |
|---|--|
| <ul style="list-style-type: none"> <li>1 Anti-roll bar link</li> <li>2 Suction hose</li> <li>3 ACE/PAS reservoir</li> <li>4 Return pipe</li> <li>5 ACE pump</li> <li>6 Pressure pipe</li> <li>7 Torsion bar - front</li> <li>8 Actuator hose</li> <li>9 Actuator hose</li> <li>10 Actuator</li> <li>11 Short arm</li> <li>12 Long arm</li> <li>13 Anti-roll bar link</li> </ul> | <ul style="list-style-type: none"> <li>14 Isolator and bracket (2 and 4 way) 7 off</li> <li>15 Pressure transducer</li> <li>16 Valve block</li> <li>17 Directional control valve 2 off</li> <li>18 Pressure control valve</li> <li>19 Long arm</li> <li>20 Actuator</li> <li>21 Anti-roll bar link</li> <li>22 Torsion bar - rear</li> <li>23 Short arm</li> <li>24 ACE ECU</li> <li>25 Accelerometer - lower</li> <li>26 Accelerometer - upper</li> </ul> |
|---|--|