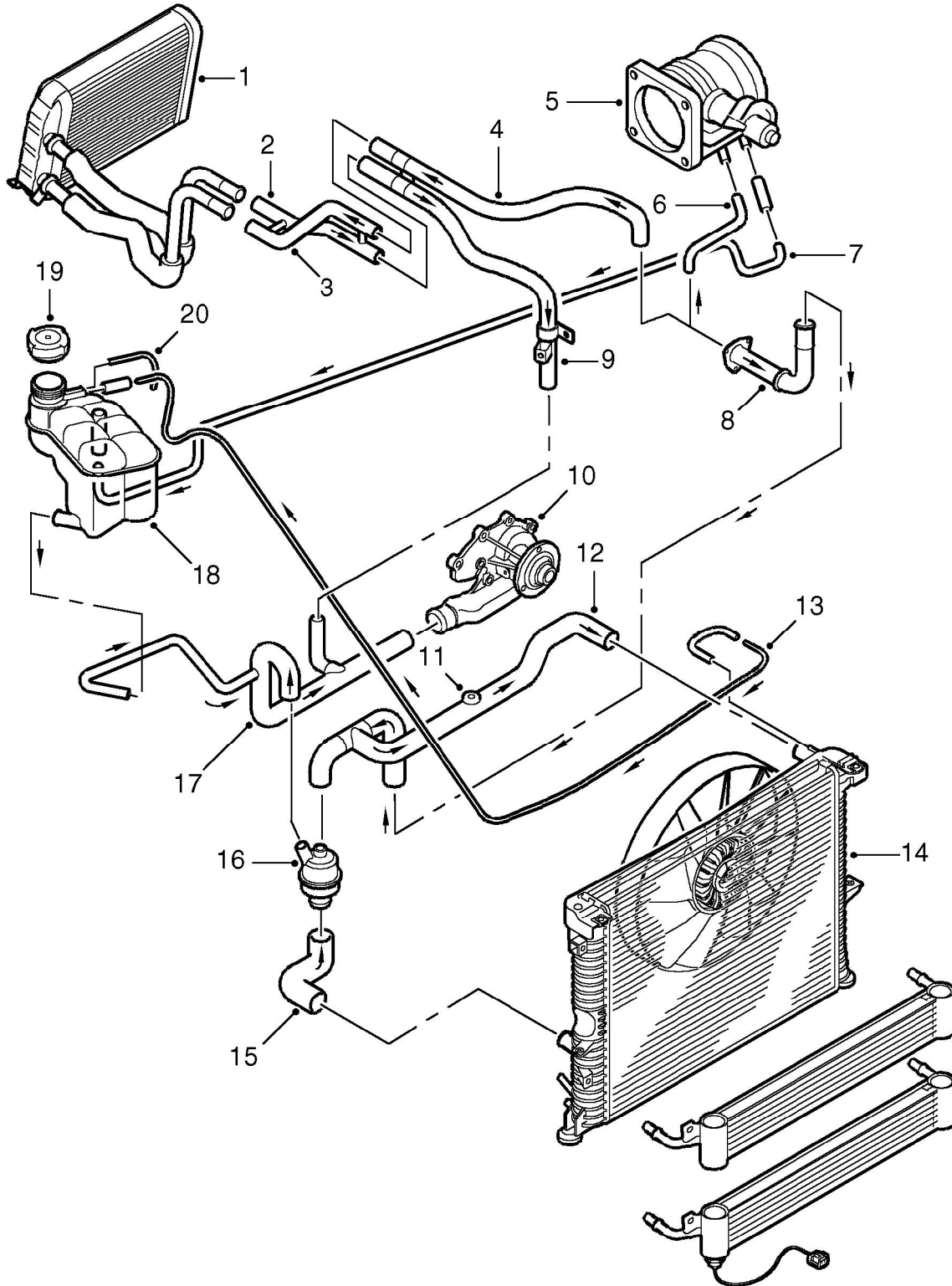


COOLING SYSTEM - V8

Cooling system coolant flow



M26 0842