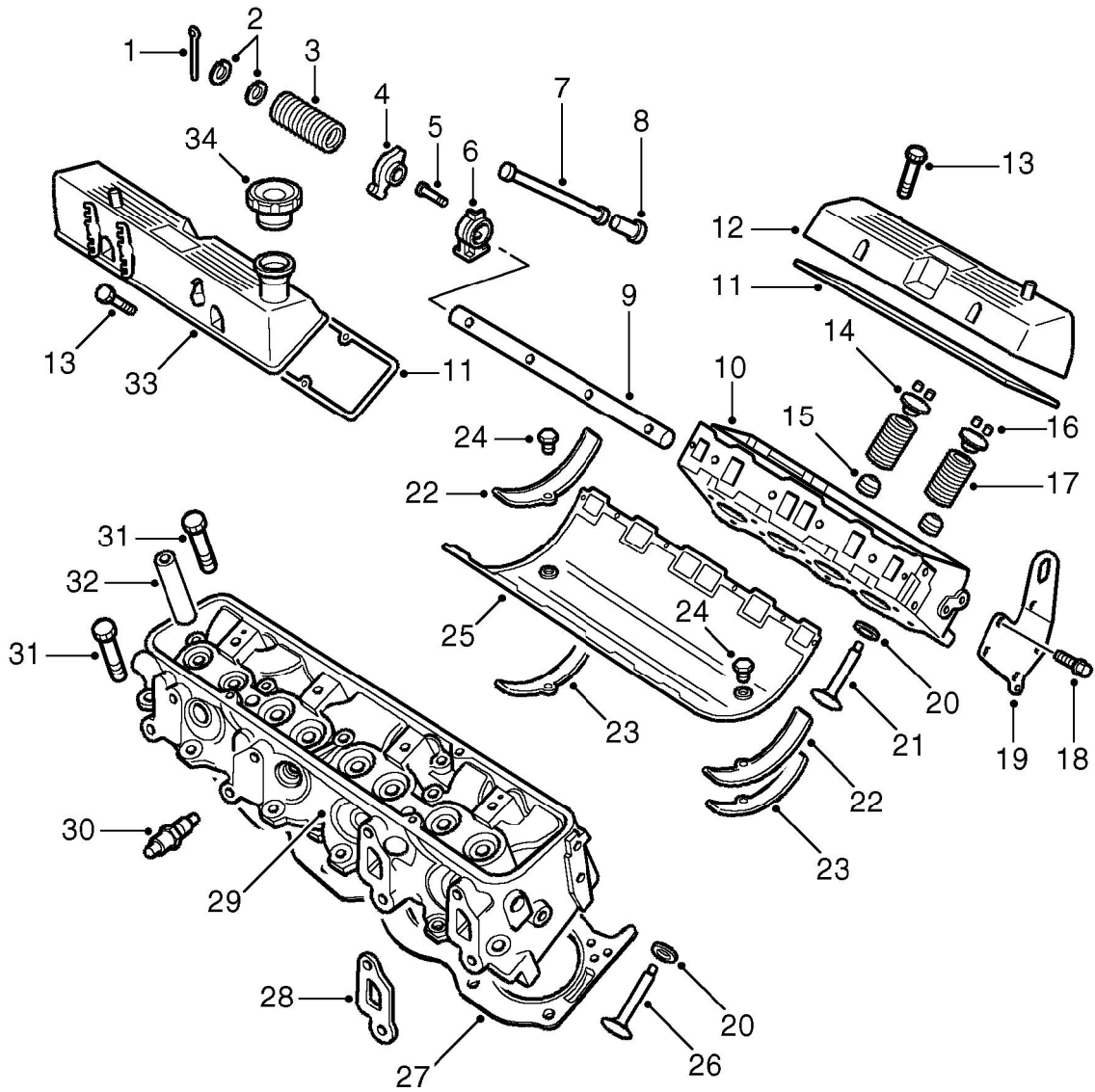


ENGINE - V8

Cylinder head components



M12 4697