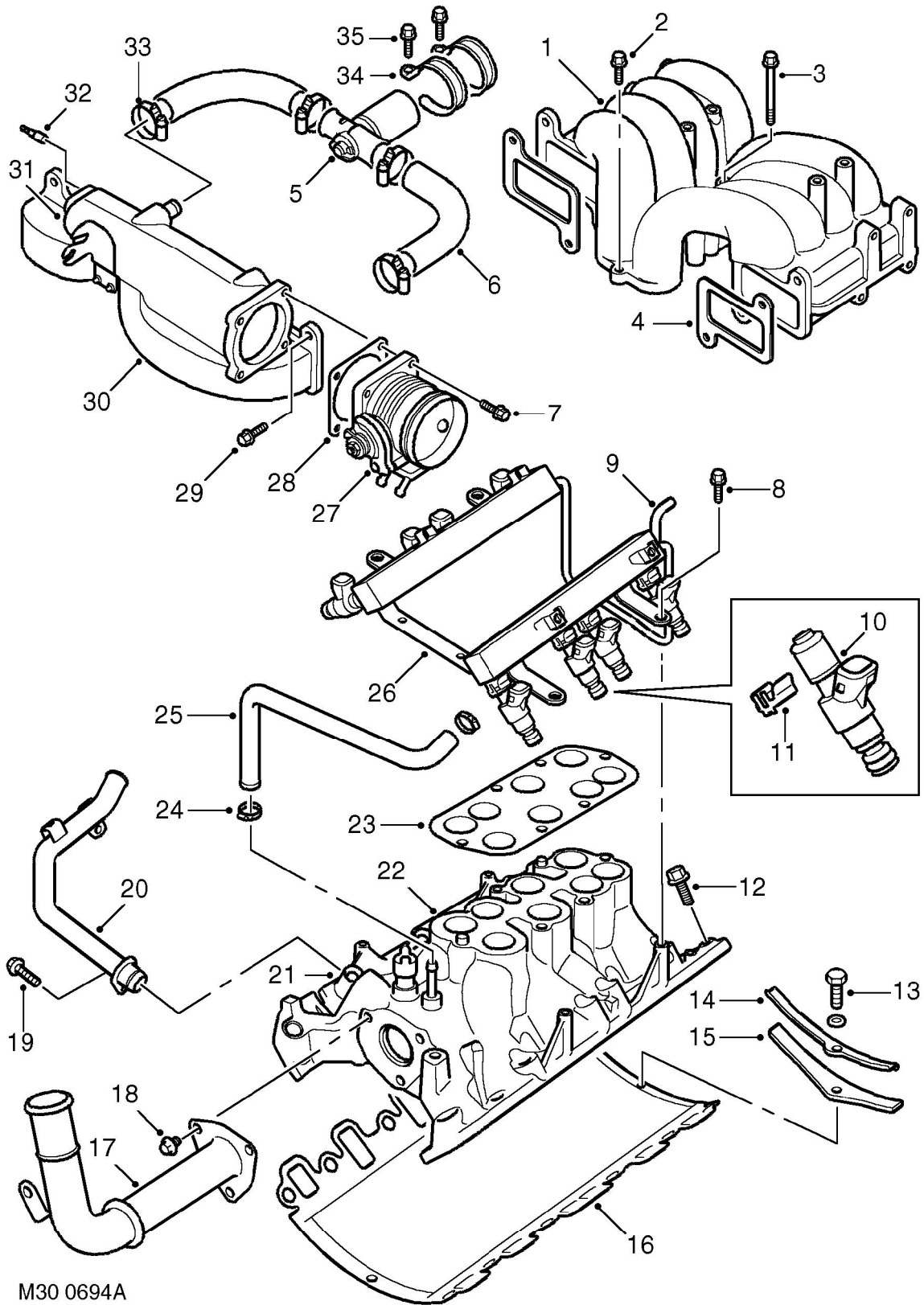


Inlet manifold component layout



M30 0694A