
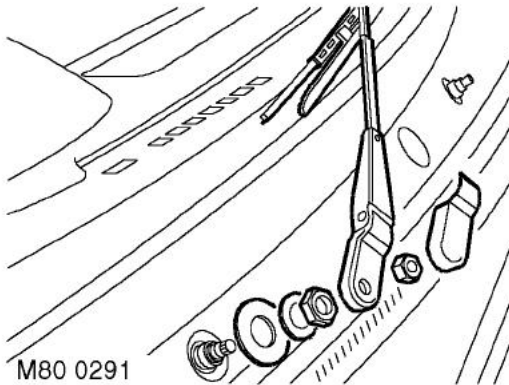

Plenum Air Intake

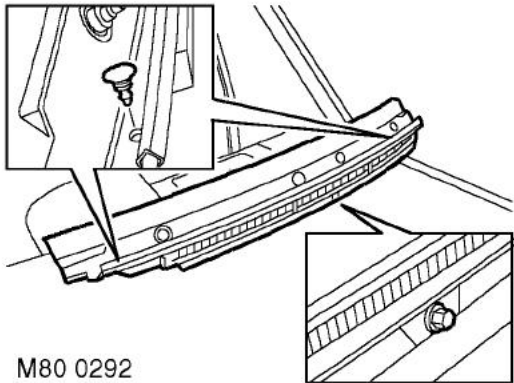
🔑 80.15.62

Remove

1. Remove both windscreen side finishers.
 **EXTERIOR FITTINGS, REPAIRS,**
Side finisher - windscreen.

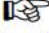


2. Remove caps from windscreen wiper arms.
3. Remove nuts securing wiper arms to wiper linkage.
4. Remove both wiper arms.
5. Remove lock nuts from wiper linkage and collect washer and rubber spacers.



6. Remove 2 trim clips and centre bolt securing plenum air intake to body.
7. Remove plenum air intake.

Refit

1. Fit plenum air intake.
2. Fit trim clips and centre bolt securing plenum air intake to body.
3. Fit rubber spacers and washers to wiper linkage.
4. Fit locknuts to wiper linkage and tighten to 7 Nm (5.2 lbf.ft).
5. Fit wiper arms to wiper linkage.
6. Fit nuts securing wiper arms to wiper linkage and tighten to 15 Nm (11 lbf.ft).
7. Fit caps to wiper arms.
8. Fit both windscreen side finishers.
 **EXTERIOR FITTINGS, REPAIRS,**
Side finisher - windscreen.