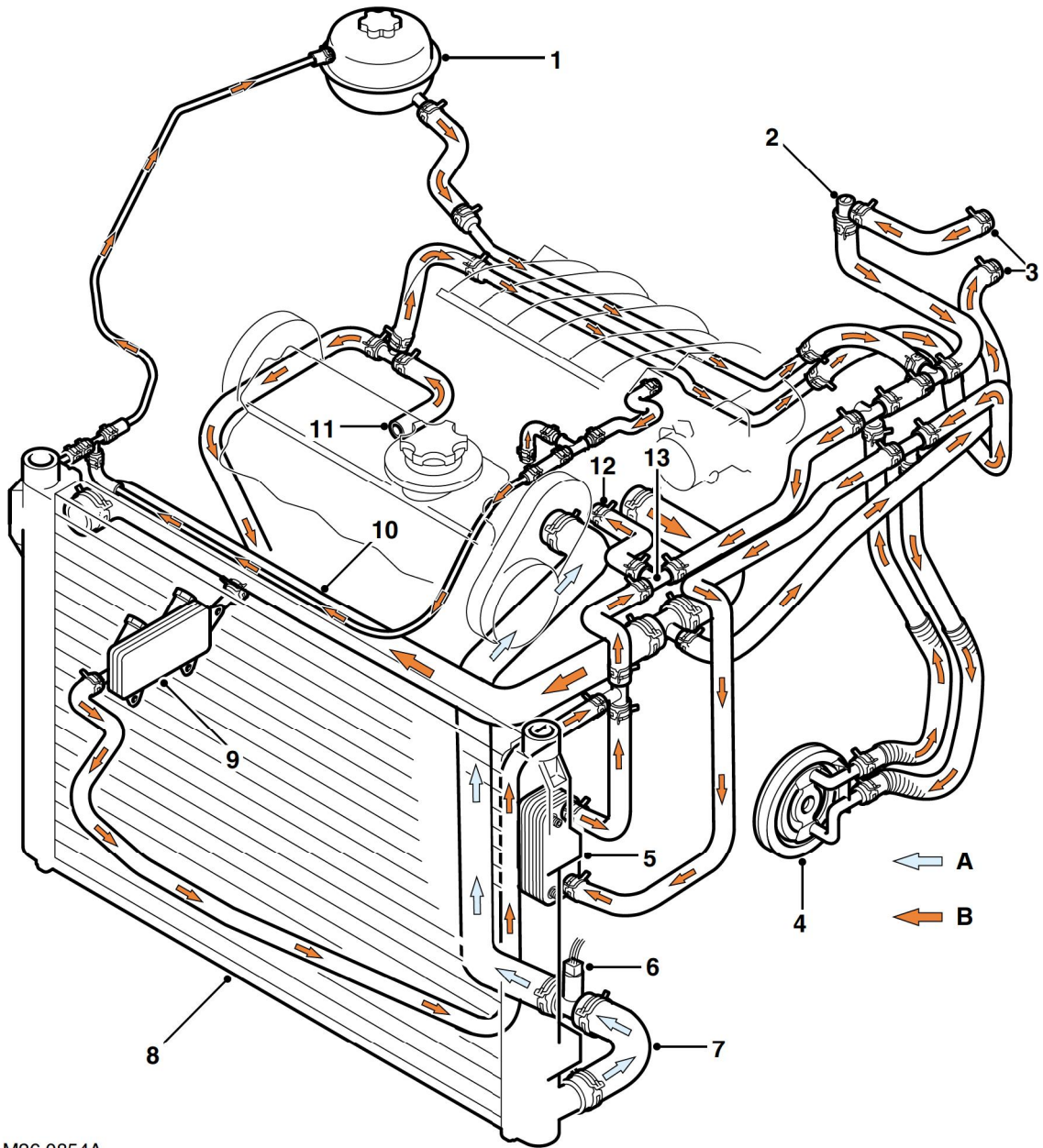




**Cooling System Coolant Flow**



M26 0854A

A = Cold; B = Hot

- |   |   |
|---|---|
| 1 Expansion tank                          | 8 Radiator                                      |
| 2 Bleed screw                             | 9 Engine oil cooler                             |
| 3 Heater matrix connections               | 10 Top hose                                     |
| 4 IRD cooler                              | 11 Cylinder block outlet connection             |
| 5 Transmission fluid cooler               | 12 Thermostat bypass connection                 |
| 6 Thermostat monitoring sensor (NAS only) | 13 Heater diverter valve (From 2003 Model Year) |
| 7 Bottom hose                             |   |