



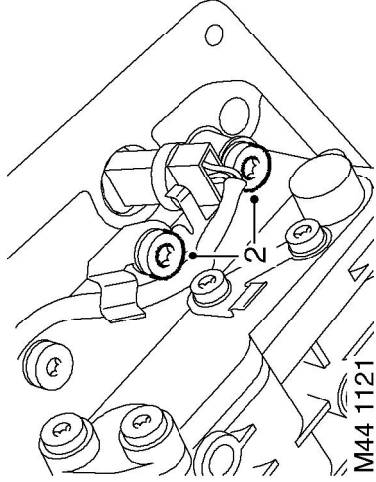
# AUTOMATIC GEARBOX - ZF4HP22 - 24

## Valve body assembly

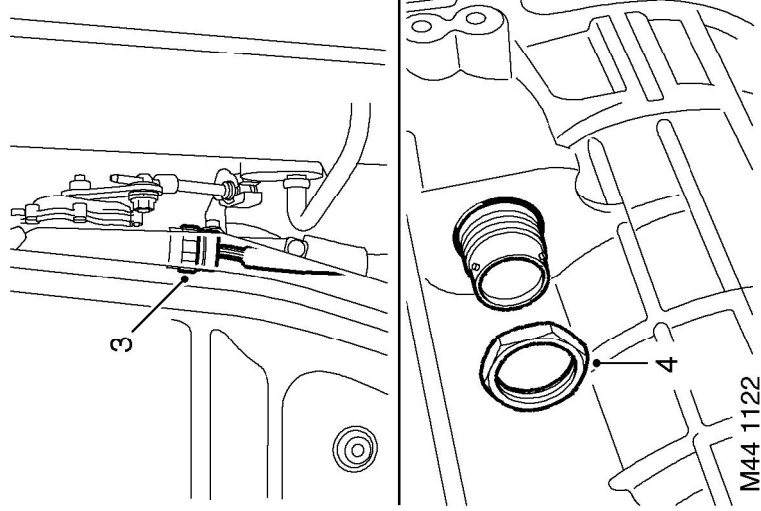
44.40.01

### Remove

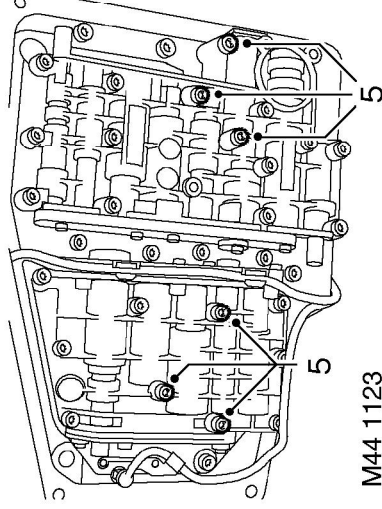
- 1. Remove gearbox oil filter.
- AUTOMATIC GEARBOX - ZF4HP22 - 24, REPAIRS, Filter - oil.**



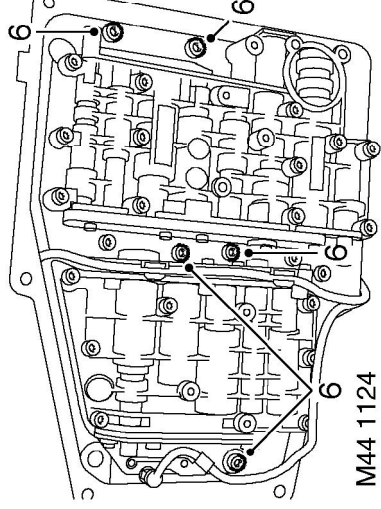
- 2. Remove 2 bolts securing speed sensor harness bracket to valve body.



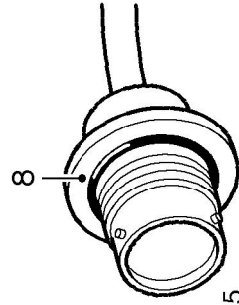
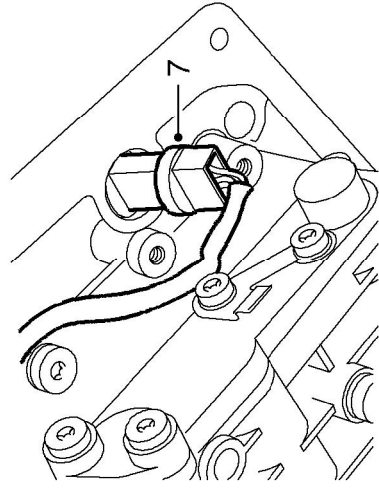
- 3. Disconnect multiplug from gearbox housing.
- 4. Using a 30 mm socket, remove nut securing multiplug connector block to gearbox housing.



- 5. Remove 6 long bolts securing valve body to gearbox.




- 6. Remove 5 short bolts securing valve body to gearbox.



M44 1125

**Refit**

1. Clean valve body and mating faces.
2. Fit new 'O' ring to multiplug connector block.
3. With assistance, position multiplug to gearbox housing and tighten nut.
4. Align valve body to gearbox, ensure manual valve is correctly located. Position speed sensor retaining bracket, and tighten screws to 8 Nm (6 lbf.ft).
5. Connect multiplug to gearbox connector.
6. Fit gearbox oil filter.

 **AUTOMATIC GEARBOX - ZF4HP22  
- 24, REPAIRS, Filter - oil.**

7. Release speed sensor and remove valve body.
8. Remove and discard 'O' ring from multiplug connector.