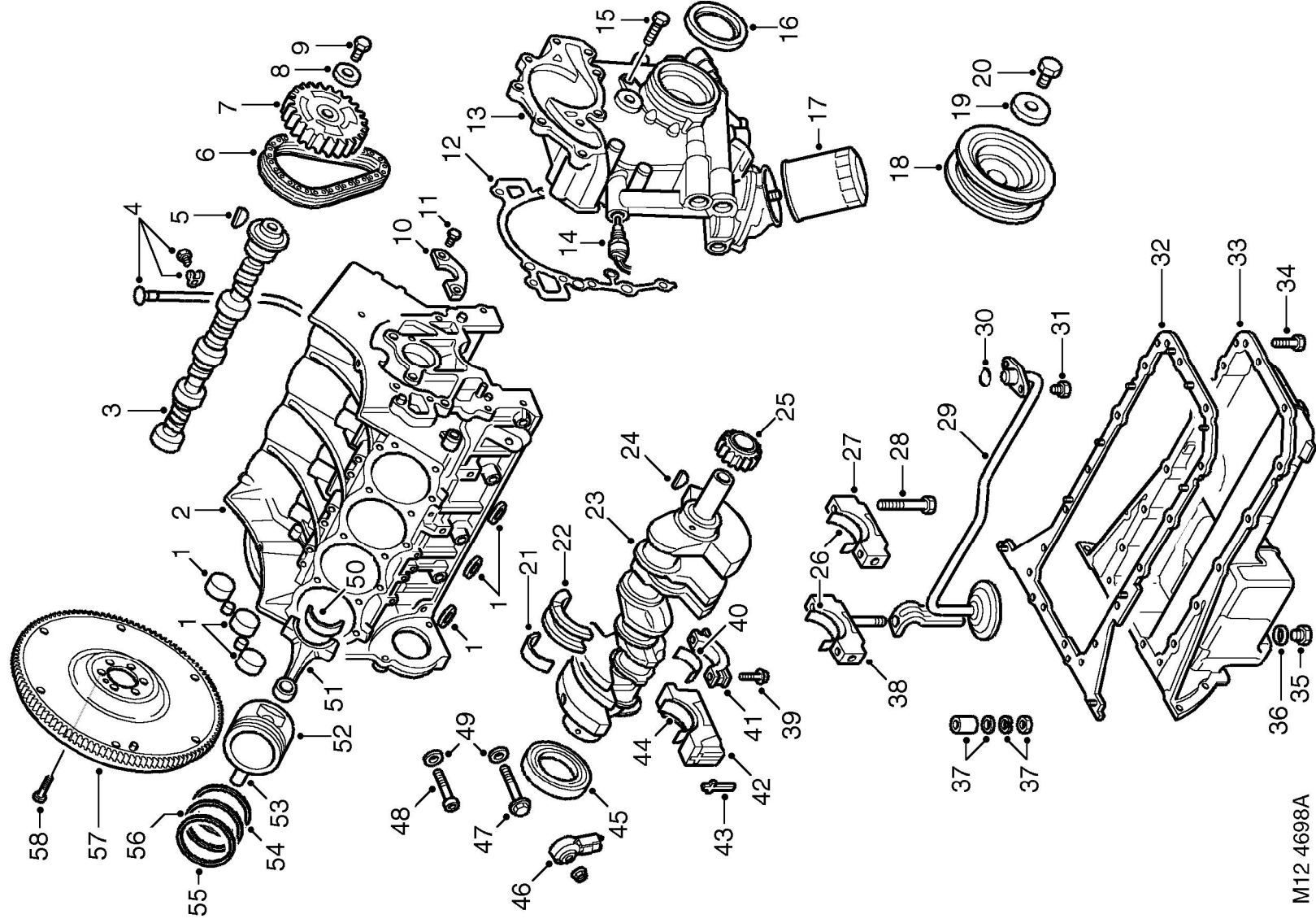


Cylinder block components



M12 4698A