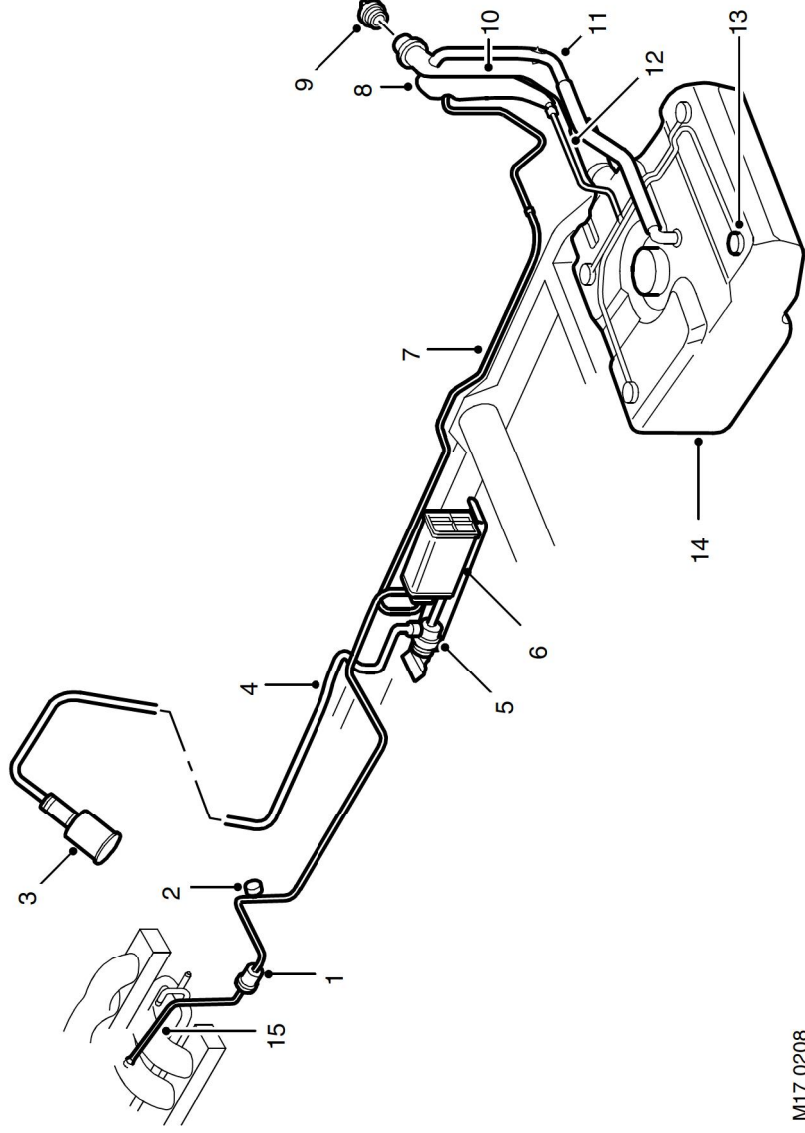


EMISSION CONTROL - V8

Evaporative emission system (with positive pressure leak detection) component layout (NAS only)



M17 0208

- 1 Purge valve
- 2 Service port
- 3 Air filter canister
- 4 EVAP canister breather tube
- 5 Leak detection pump
- 6 EVAP canister
- 7 Vent pipe – fuel tank to EVAP canister
- 8 Liquid vapour separator (metal)

- 9 Fuel filler cap
- 10 Fuel filler
- 11 Fuel tank breather assembly
- 12 Vent hose
- 13 Roll over valves (inside fuel tank)
- 14 Fuel tank
- 15 Purge line connection to engine manifold