


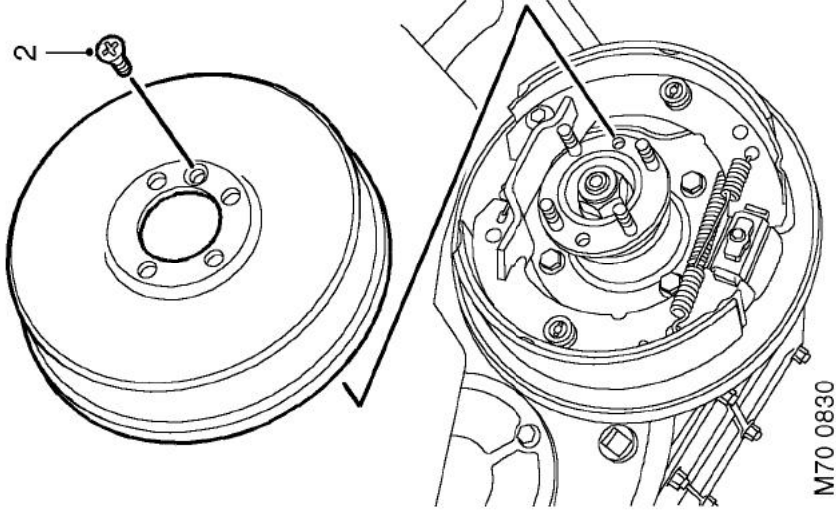
BRAKES

Brake shoes - handbrake

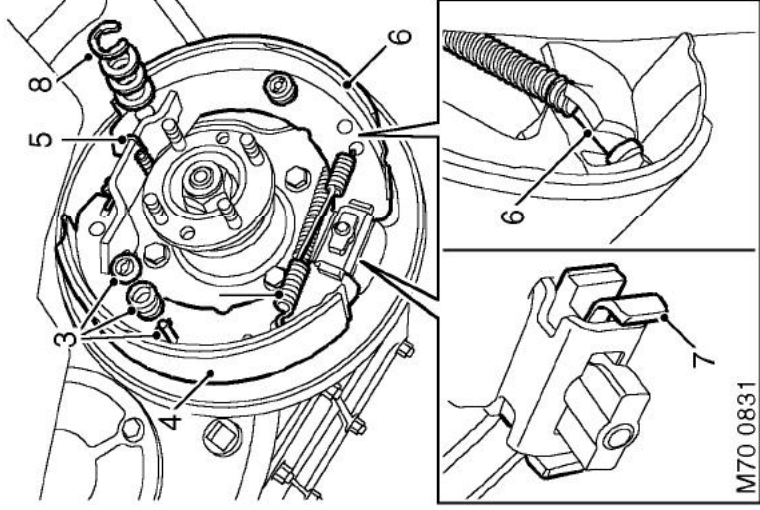
70.45.18

Remove

1. Remove rear propeller shaft.
 **PROPELLER SHAFTS, REPAIRS,**
Propeller shaft - rear.



2. Remove screw and remove brake drum.



3. Remove 2 washers, springs and pins retaining brake shoes to back plate.
4. Release return springs and remove brake shoe.
5. Remove retaining spring securing abutment lever to back plate.
6. Release remaining brake shoe from brake cable, remove brake shoe and collect return springs.
7. Remove adjuster plungers.
8. Remove 'C' clip securing cable lever to brake shoe. Remove flat washer, lever, 2 Belleville washers and pivot pin.