

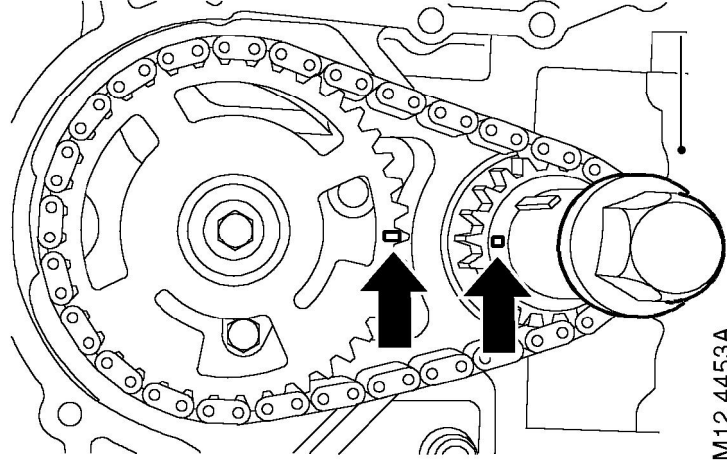
## ENGINE - V8

### Timing chain and gears

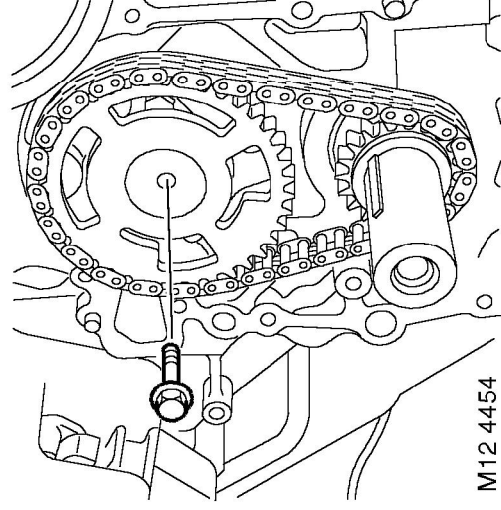
12.65.12.01

#### Disassembly

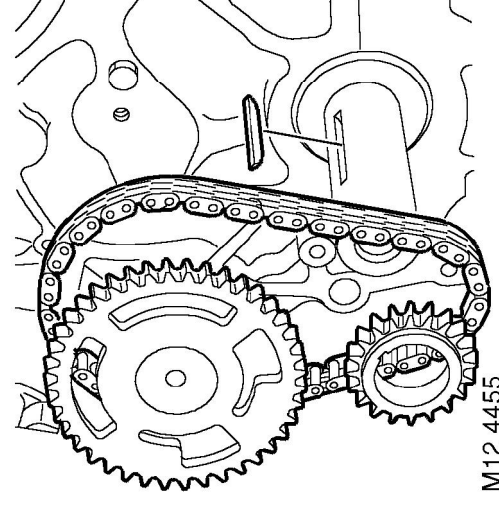
1. Remove timing gear cover gasket.  
 **ENGINE - V8, OVERHAUL, Gasket - timing gear cover.**



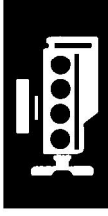
2. Fit crankshaft pulley bolt and rotate engine to align timing marks. Remove crankshaft pulley bolt.



3. Restrain camshaft gear and remove gear retaining bolt.
4. Remove timing chain and gears as an assembly.

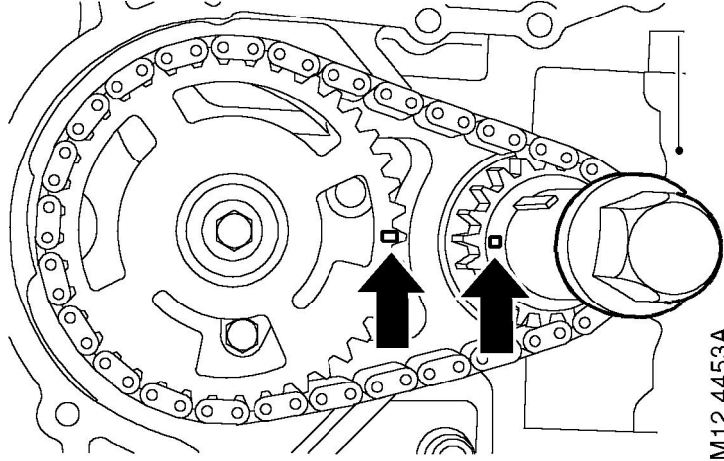


5. Remove gears from timing chain.
6. Remove key from crankshaft.



**Reassembly**

1. Clean timing chain and gears and gear locations.
2. Fit key to crankshaft.



M12 4453A

3. Temporarily fit gears to camshaft and crankshaft. If necessary, rotate shafts to align timing marks. When aligned correctly, the timing marks will face each other; crankshaft gear timing mark at twelve o'clock position and camshaft gear timing mark at six o'clock position.
4. Remove gears from shafts and fit to timing chain.
5. With timing marks aligned, fit timing chain and gears as an assembly.
6. Restrain the camshaft gear and tighten retaining bolt to 50 Nm (37 lbf.ft).
7. Fit timing gear cover gasket.

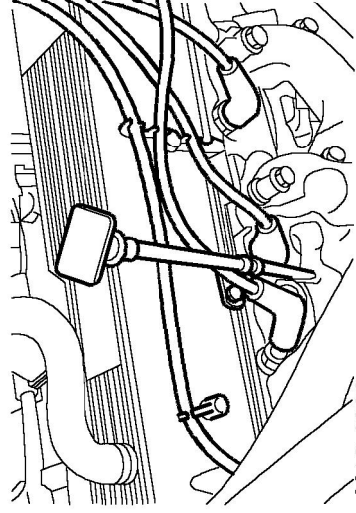
**ENGINE - V8, OVERHAUL, Gasket - timing gear cover.**

**Rocker shaft - overhaul**

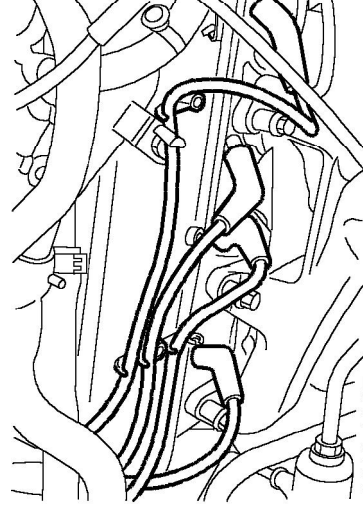
12.29.49

If both rocker shafts are to be removed, identify each assembly to ensure refitment to original cylinder head.

**Disassembly**

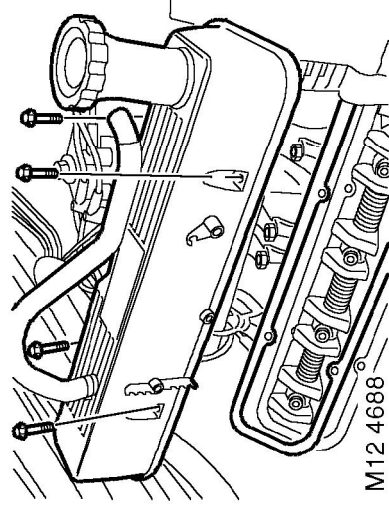


M12 4686



M12 4387

1. Release ht leads from rocker covers.



M12 4688

2. Noting fitted position of 4 long screws or multi-hex bolts, remove and discard 8 screws/bolts securing rocker covers; remove rocker covers.

**CAUTION: Screws/bolts must be replaced with new 'patched' multi-hex bolts.**