

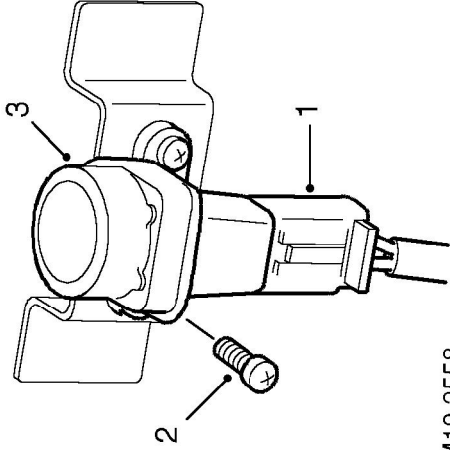
FUEL DELIVERY SYSTEM - V8



Switch - inertia - fuel cut-off

19.22.09

Remove



M19 2558

1. Disconnect multiplug from fuel cut-off switch.
2. Remove 2 screws securing fuel cut-off switch to bulkhead.
3. Remove fuel cut-off switch from bulkhead.

Refit

1. Position fuel cut-off switch to bulkhead and secure with screws.
2. Connect multiplug to fuel cut-off switch.
3. To set the fuel cut-off switch, depress the top of the fuel cut-off switch.

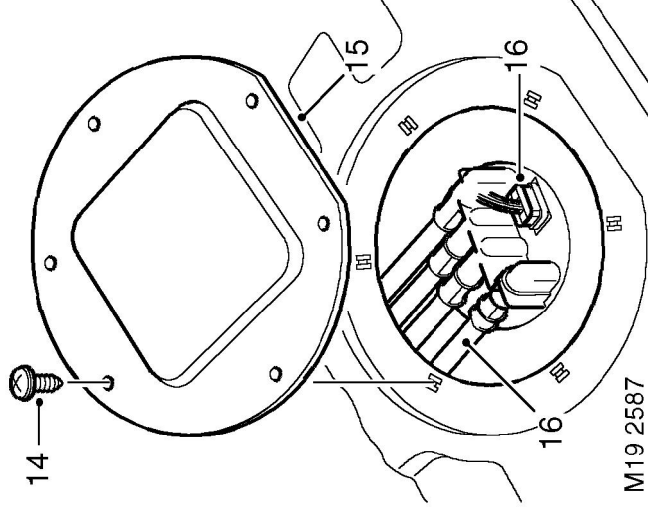
Pump - fuel

19.45.08

NOTE: The fuel pump and fuel gauge tank unit are integral parts of the fuel pump housing and cannot be renewed separately

Remove

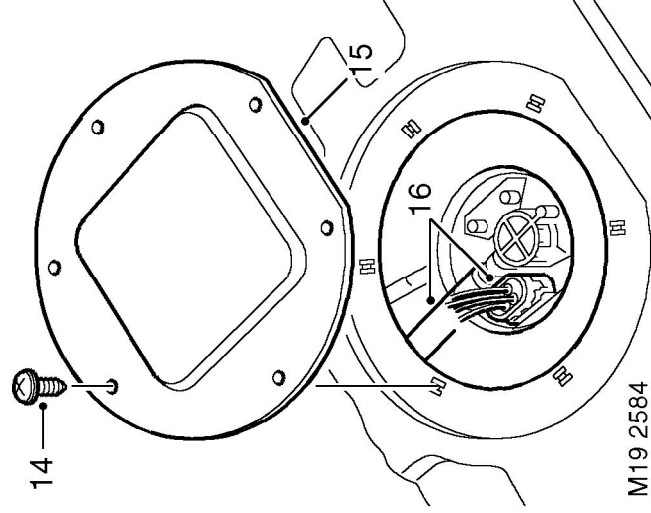
1. Release fixings and remove battery cover.
2. Disconnect battery earth lead.
3. **Models with third row seats:** Remove RH third row seat.
SEATS, REPAIRS, Seat - third row.
4. Remove right hand rear lower quarter trim casing.
INTERIOR TRIM COMPONENTS, REPAIRS, Trim casing - side - loadspace.
5. **Models with third row seats:** Remove 4 screws securing third row seat latch finishers to body and finishers.
6. Release and remove screw cover from rear floor carpet finisher.



M19 2587

7. Remove 6 screws securing loadspace carpet finisher, remove finisher.
8. Release carpet and tie aside.

FUEL DELIVERY SYSTEM - V8

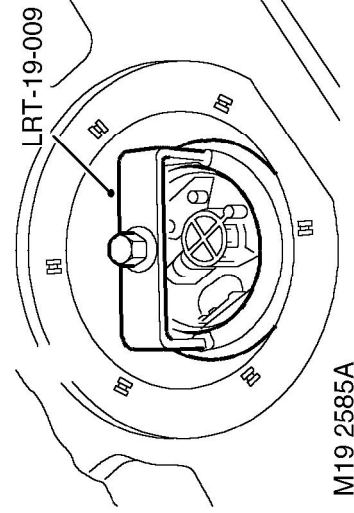


9. Remove 6 screws securing fuel pump access panel to floor.
10. Remove access panel.
11. Clean fuel pump hose connections.
12. Position absorbent cloth to absorb fuel spillage.
13. Disconnect multiplug and fuel hose from fuel pump housing.

CAUTION: Always fit plugs to open connections to prevent contamination.

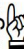
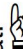
14. **NAS models:** Disconnect pressure sensor pipe from fuel pump housing.

CAUTION: Always fit plugs to open connections to prevent contamination.



15. Use **LRT-19-009** to remove locking ring from fuel pump housing.
16. Remove fuel pump and discard sealing ring.

Refit

1. Clean fuel pump housing and mating face on fuel tank.
2. Fit new seal to mating face on fuel tank.
3. Fit fuel pump assembly to fuel tank and use **LRT-19-009** to fit locking ring.
4. Connect multiplug and fuel hose to fuel pump housing.
5. **NAS models:** Connect pressure sensor pipe to fuel pump housing.
6. Fit fuel pump access panel and secure with screws.
7. Reposition carpet.
8. Fit carpet finisher and secure with screws.
9. Fit screw cover.
10. **Models with third row seats:** Fit and secure third row seat latch finishers.
11. Fit right hand rear lower quarter trim casing.
 -  **INTERIOR TRIM COMPONENTS, REPAIRS, Trim casing - side - loadspace.**
12. **Models with third row seats:** Fit RH third row seat.
 -  **SEATS, REPAIRS, Seat - third row.**
13. Connect battery earth lead.
14. Fit battery cover and secure with fixings.