

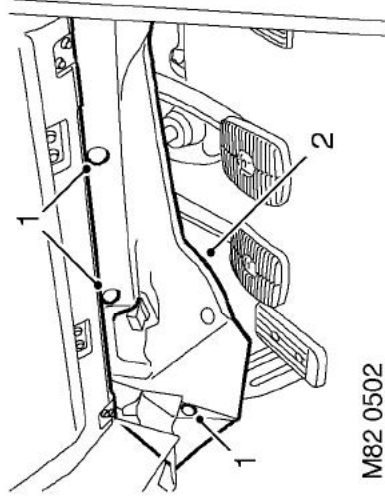


# AIR CONDITIONING

## Sensor - air temperature

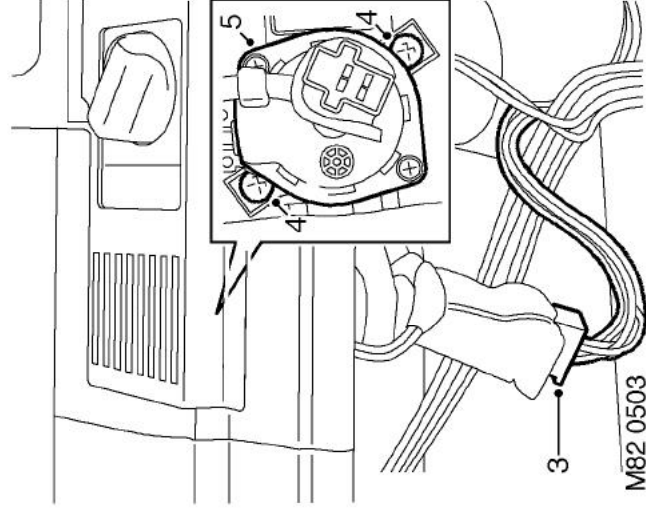
82.20.93

### Remove



M82 0502

1. Release 2 quarter turn screws to release fascia access panel.
2. Lower fascia access panel.



M82 0503

3. Disconnect multiplug from air temperature sensor.
4. Remove 2 screws securing air temperature sensor to fascia.
5. Remove air temperature sensor from fascia.

### Refit

1. Position air temperature sensor to fascia and secure with screws.
2. Connect multiplug to air temperature
3. Position and secure fascia access panel with quarter turn screws.