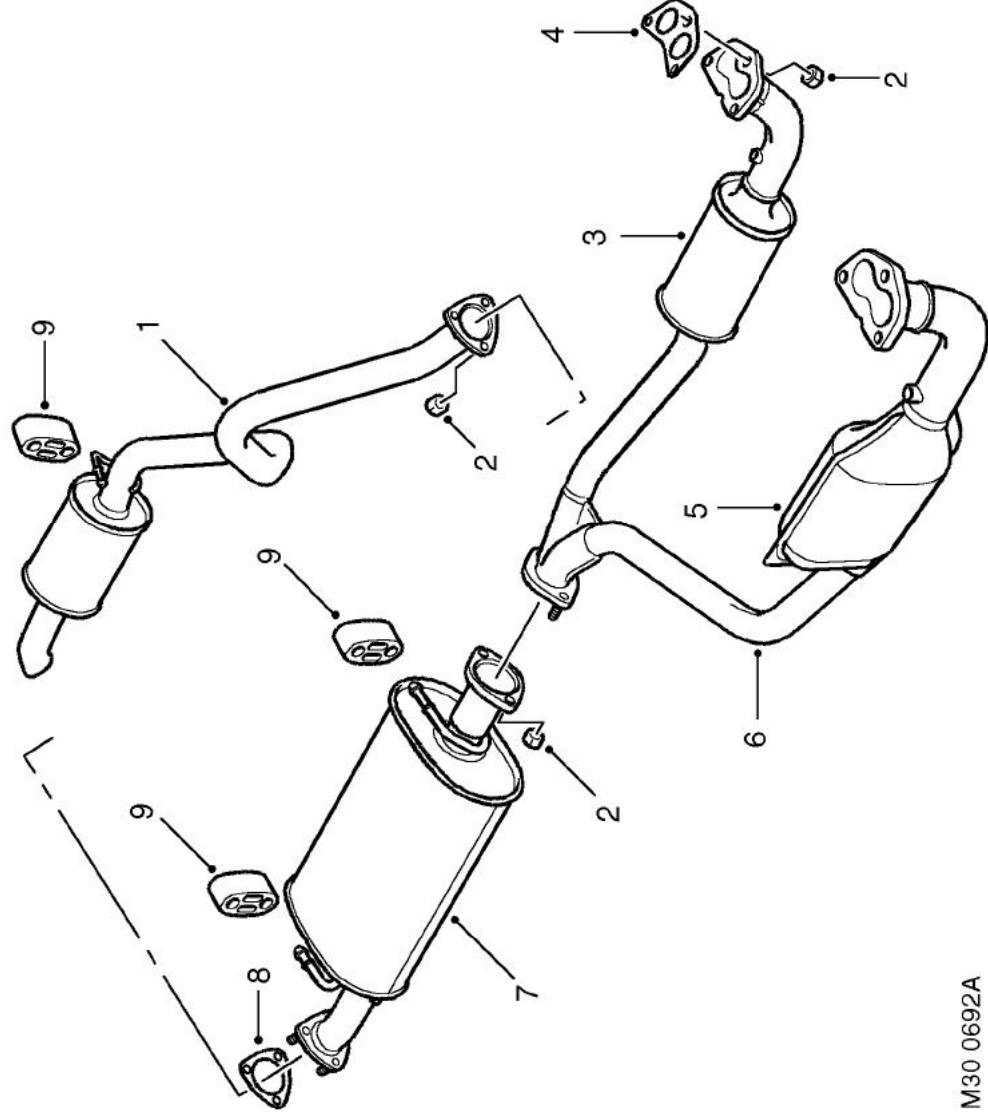


MANIFOLDS AND EXHAUST SYSTEMS - V8

Exhaust system component layout



M30 0692A

- 1 Tail pipe assembly
- 2 Nut 11 off
- 3 Catalytic converter
- 4 Front pipe to manifold gasket 2 off
- 5 Catalytic converter

- 6 Front pipe assembly
- 7 Intermediate pipe/silencer assembly
- 8 Gasket
- 9 Mounting rubber 3 off